



# **Mounts - Leveling - Nylon - Studded Type - With Lag Holes**

9/4/2018

# Indicates item not stocked at time of printing - Please enquire for lead time

E&OE Pricing and all details subject to change without notice - Copyright Miniature Bearings Australia Pty Ltd

MBA Size Listings are a guide to sizes only and must not be solely relied on for critical design information.

Page 1 of 8

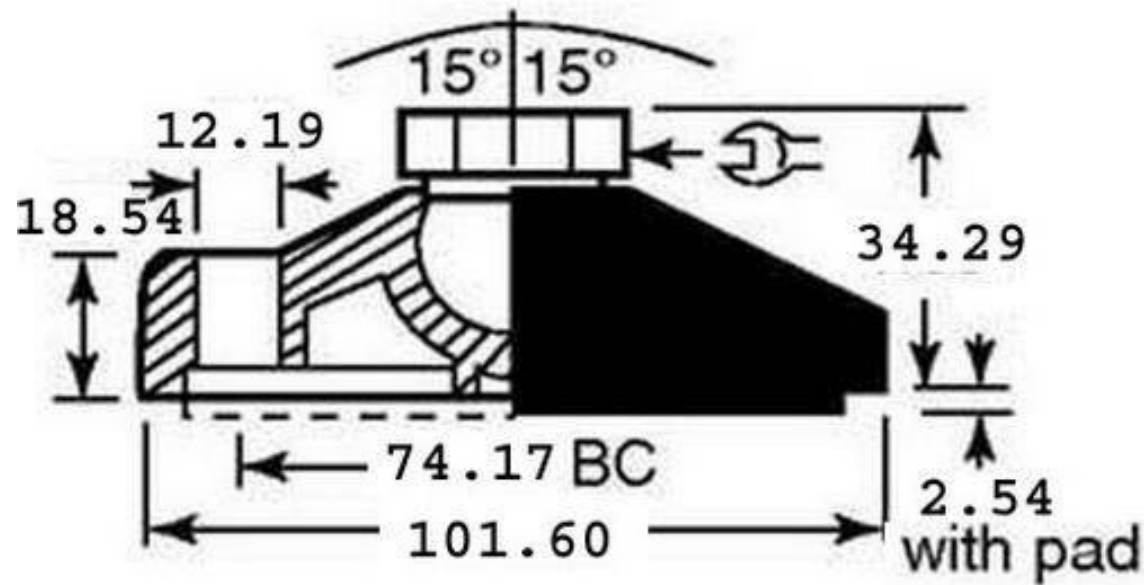
## INFORMATION

Steel and stainless steel threads. Adjusters.

# Indicates item not stocked at time of printing - Please enquire for lead time

E&OE Pricing and all details subject to change without notice - Copyright Miniature Bearings Australia Pty Ltd

MBA Size Listings are a guide to sizes only and must not be solely relied on for critical design information.



# Indicates item not stocked at time of printing - Please enquire for lead time

E&OE Pricing and all details subject to change without notice - Copyright Miniature Bearings Australia Pty Ltd

MBA Size Listings are a guide to sizes only and must not be solely relied on for critical design information.

## Mounts - Leveling - Nylon - Studded Type - With Lag Holes

Part Number	Load Kg	Thread	Base Diameter mm	Foot Height mm	Overall Height mm	Distance Between Lags mm	Lag Hole Diameter mm	Material
			<i>inches</i>	<i>inches</i>	<i>inches</i>	<i>inches</i>	<i>inches</i>	
# MLV-0094-M16-N5	910	M16.0x2.00 (16.0mm)	78.740	18.288	94.000	54.610	9.144	Steel
			<i>3.100</i>	<i>0.720</i>	<i>3.701</i>	<i>2.150</i>	<i>0.360</i>	
# MLV-0094-M16-N5-3	910	M16.0x2.00 (16.0mm)	78.740	18.288	94.000	54.610	9.144	Stainless Steel
			<i>3.100</i>	<i>0.720</i>	<i>3.701</i>	<i>2.150</i>	<i>0.360</i>	
# MLV-0153-M16-N5	910	M16.0x2.00 (16.0mm)	78.740	18.288	153.000	54.610	9.144	Steel
			<i>3.100</i>	<i>0.720</i>	<i>6.024</i>	<i>2.150</i>	<i>0.360</i>	
# MLV-0153-M16-N5-3	910	M16.0x2.00 (16.0mm)	78.740	18.288	153.000	54.610	9.144	Stainless Steel
			<i>3.100</i>	<i>0.720</i>	<i>6.024</i>	<i>2.150</i>	<i>0.360</i>	
# MLV-0091-1270C-N5	910	1/2-13 UNC (12.700mm)	78.740	18.288	91.440	54.610	9.144	Steel
			<i>3.100</i>	<i>0.720</i>	<i>3.600</i>	<i>2.150</i>	<i>0.360</i>	
# MLV-0091-1270C-N5-3	910	1/2-13 UNC (12.700mm)	78.740	18.288	91.440	54.610	9.144	Stainless Steel
			<i>3.100</i>	<i>0.720</i>	<i>3.600</i>	<i>2.150</i>	<i>0.360</i>	
# MLV-0155-1270C-N5	910	1/2-13 UNC (12.700mm)	78.740	18.288	154.940	54.610	9.144	Steel
			<i>3.100</i>	<i>0.720</i>	<i>6.100</i>	<i>2.150</i>	<i>0.360</i>	
# MLV-0155-1270C-N5-3	910	1/2-13 UNC (12.700mm)	78.740	18.288	154.940	54.610	9.144	Stainless Steel
			<i>3.100</i>	<i>0.720</i>	<i>6.100</i>	<i>2.150</i>	<i>0.360</i>	

# Indicates item not stocked at time of printing - Please enquire for lead time

Page 4 of 8

E&OE Pricing and all details subject to change without notice - Copyright Miniature Bearings Australia Pty Ltd

MBA Size Listings are a guide to sizes only and must not be solely relied on for critical design information.

## Mounts - Leveling - Nylon - Studded Type - With Lag Holes

Part Number	Load Kg	Thread	Base Diameter mm	Foot Height mm	Overall Height mm	Distance Between Lags mm	Lag Hole Diameter mm	Material
			<i>inches</i>	<i>inches</i>	<i>inches</i>	<i>inches</i>	<i>inches</i>	
# MLV-0091-0953C-N5	910	3/8-16 UNC (9.525mm)	78.740	18.288	91.440	54.610	9.144	Steel
			<i>3.100</i>	<i>0.720</i>	<i>3.600</i>	<i>2.150</i>	<i>0.360</i>	
# MLV-0091-0953C-N5-3	910	3/8-16 UNC (9.525mm)	78.740	18.288	91.440	54.610	9.144	Stainless Steel
			<i>3.100</i>	<i>0.720</i>	<i>3.600</i>	<i>2.150</i>	<i>0.360</i>	
# MLV-0155-1590C-N5-3	910	5/8-11 UNC (15.875mm)	78.740	18.288	154.940	54.610	9.144	Stainless Steel
			<i>3.100</i>	<i>0.720</i>	<i>6.100</i>	<i>2.150</i>	<i>0.360</i>	
# MLV-0155-1590C-N5	910	5/8-11 UNC (15.875mm)	78.740	18.288	154.940	54.610	9.144	Steel
			<i>3.100</i>	<i>0.720</i>	<i>6.100</i>	<i>2.150</i>	<i>0.360</i>	
# MLV-0118-M16-N5	1180	M16.0x2.00 (16.0mm)	97.790	18.288	118.000	73.914	12.192	Steel
			<i>3.850</i>	<i>0.720</i>	<i>4.646</i>	<i>2.910</i>	<i>0.480</i>	
# MLV-0198-M20-N5-3	1180	M20.0x2.50 (20.0mm)	97.790	18.288	198.000	73.914	12.192	Stainless Steel
			<i>3.850</i>	<i>0.720</i>	<i>7.795</i>	<i>2.910</i>	<i>0.480</i>	
# MLV-0198-M20-N5	1180	M20.0x2.50 (20.0mm)	97.790	18.288	198.000	73.914	12.192	Steel
			<i>3.850</i>	<i>0.720</i>	<i>7.795</i>	<i>2.910</i>	<i>0.480</i>	
# MLV-0198-M16-N5-3	1180	M16.0x2.00 (16.0mm)	97.790	18.288	198.000	73.914	12.192	Stainless Steel
			<i>3.850</i>	<i>0.720</i>	<i>7.795</i>	<i>2.910</i>	<i>0.480</i>	

# Indicates item not stocked at time of printing - Please enquire for lead time

Page 5 of 8

E&OE Pricing and all details subject to change without notice - Copyright Miniature Bearings Australia Pty Ltd

MBA Size Listings are a guide to sizes only and must not be solely relied on for critical design information.

## Mounts - Leveling - Nylon - Studded Type - With Lag Holes

Part Number	Load Kg	Thread	Base Diameter mm	Foot Height mm	Overall Height mm	Distance Between Lags mm	Lag Hole Diameter mm	Material
			<i>inches</i>	<i>inches</i>	<i>inches</i>	<i>inches</i>	<i>inches</i>	
# MLV-0198-M16-N5	1180	M16.0x2.00 (16.0mm)	97.790	18.288	198.000	73.914	12.192	Steel
			<i>3.850</i>	<i>0.720</i>	<i>7.795</i>	<i>2.910</i>	<i>0.480</i>	
# MLV-0034-1270C-N5-3	1180	1/2-13 UNC (12.700mm)	101.600	18.542	34.290	73.914	12.192	Stainless Steel
			<i>4.000</i>	<i>0.730</i>	<i>1.350</i>	<i>2.910</i>	<i>0.480</i>	
# MLV-0034-1905C-N5-3	1180	3/4-10 UNC (19.050mm)	101.600	18.542	34.290	73.914	12.192	Stainless Steel
			<i>4.000</i>	<i>0.730</i>	<i>1.350</i>	<i>2.910</i>	<i>0.480</i>	
# MLV-0034-1590C-N5	1180	5/8-11 UNC (15.875mm)	101.600	18.542	34.290	73.914	12.192	Steel
			<i>4.000</i>	<i>0.730</i>	<i>1.350</i>	<i>2.910</i>	<i>0.480</i>	
# MLV-0190-2540C-N5	4490	1-8 UNC (25.400mm)	122.936	17.018	189.992	98.552	13.208	Steel
			<i>4.840</i>	<i>0.670</i>	<i>7.480</i>	<i>3.880</i>	<i>0.520</i>	
# MLV-0256-2540C-N5-B	4490	1-8 UNC (25.400mm)	122.936	17.018	255.778	98.552	13.208	Steel
			<i>4.840</i>	<i>0.670</i>	<i>10.070</i>	<i>3.880</i>	<i>0.520</i>	
# MLV-0256-2540C-N5-A	4490	1-8 UNC (25.400mm)	122.936	17.018	256.286	98.552	13.208	Steel
			<i>4.840</i>	<i>0.670</i>	<i>10.090</i>	<i>3.880</i>	<i>0.520</i>	
# MLV-0191-2540C-N5	4490	1-8 UNC (25.400mm)	122.936	17.018	190.500	98.552	13.208	Steel
			<i>4.840</i>	<i>0.670</i>	<i>7.500</i>	<i>3.880</i>	<i>0.520</i>	

# Indicates item not stocked at time of printing - Please enquire for lead time

Page 6 of 8

E&OE Pricing and all details subject to change without notice - Copyright Miniature Bearings Australia Pty Ltd

MBA Size Listings are a guide to sizes only and must not be solely relied on for critical design information.

## Mounts - Leveling - Nylon - Studded Type - With Lag Holes

Part Number	Load Kg	Thread	Base Diameter mm	Foot Height mm	Overall Height mm	Distance Between Lags mm	Lag Hole Diameter mm	Material
			<i>inches</i>	<i>inches</i>	<i>inches</i>	<i>inches</i>	<i>inches</i>	
# MLV-0191-2540C-N5-3	4490	1-8 UNC (25.400mm)	122.936	17.018	190.500	98.552	13.208	Stainless Steel
			<i>4.840</i>	<i>0.670</i>	<i>7.500</i>	<i>3.880</i>	<i>0.520</i>	
# MLV-0190-2540C-N5-3	4490	1-8 UNC (25.400mm)	122.936	17.018	189.992	98.552	13.208	Stainless Steel
			<i>4.840</i>	<i>0.670</i>	<i>7.480</i>	<i>3.880</i>	<i>0.520</i>	
# MLV-0191-3175C-N5-3	4490	1.1/4-7 UNC (31.750mm)	122.936	17.018	190.500	98.552	13.208	Stainless Steel
			<i>4.840</i>	<i>0.670</i>	<i>7.500</i>	<i>3.880</i>	<i>0.520</i>	
# MLV-0191-3175C-N5	4490	1.1/4-7 UNC (31.750mm)	122.936	17.018	190.500	98.552	13.208	Steel
			<i>4.840</i>	<i>0.670</i>	<i>7.500</i>	<i>3.880</i>	<i>0.520</i>	
# MLV-0190-1905C-N5	4490	3/4-10 UNC (19.050mm)	122.936	17.018	189.992	98.552	13.208	Steel
			<i>4.840</i>	<i>0.670</i>	<i>7.480</i>	<i>3.880</i>	<i>0.520</i>	
# MLV-0191-1905C-N5-3	4490	3/4-10 UNC (19.050mm)	122.936	17.018	190.500	98.552	13.208	Stainless Steel
			<i>4.840</i>	<i>0.670</i>	<i>7.500</i>	<i>3.880</i>	<i>0.520</i>	
# MLV-0191-1905C-N5	4490	3/4-10 UNC (19.050mm)	122.936	17.018	190.500	98.552	13.208	Steel
			<i>4.840</i>	<i>0.670</i>	<i>7.500</i>	<i>3.880</i>	<i>0.520</i>	
# MLV-0190-1905C-N5-3	4490	3/4-10 UNC (19.050mm)	122.936	17.018	189.992	98.552	13.208	Stainless Steel
			<i>4.840</i>	<i>0.670</i>	<i>7.480</i>	<i>3.880</i>	<i>0.520</i>	

# Indicates item not stocked at time of printing - Please enquire for lead time

Page 7 of 8

E&OE Pricing and all details subject to change without notice - Copyright Miniature Bearings Australia Pty Ltd

MBA Size Listings are a guide to sizes only and must not be solely relied on for critical design information.

## Mounts - Leveling - Nylon - Studded Type - With Lag Holes

Part Number	Load Kg	Thread	Base Diameter mm	Foot Height mm	Overall Height mm	Distance Between Lags mm	Lag Hole Diameter mm	Material
			<i>inches</i>	<i>inches</i>	<i>inches</i>	<i>inches</i>	<i>inches</i>	
# MLV-0152-1905C-N5	4490	3/4-10 UNC (19.050mm)	122.936	17.018	151.638	98.552	13.208	Steel
			<i>4.840</i>	<i>0.670</i>	<i>5.970</i>	<i>3.880</i>	<i>0.520</i>	

# Indicates item not stocked at time of printing - Please enquire for lead time

Page 8 of 8

E&OE Pricing and all details subject to change without notice - Copyright Miniature Bearings Australia Pty Ltd

MBA Size Listings are a guide to sizes only and must not be solely relied on for critical design information.



DISTRIBUTED BY

Distributed By:

