



# **Mounts - Leveling - Padded - Light Duty - With Elastomer Pads**

9/4/2018

# Indicates item not stocked at time of printing - Please enquire for lead time

E&OE Pricing and all details subject to change without notice - Copyright Miniature Bearings Australia Pty Ltd

MBA Size Listings are a guide to sizes only and must not be solely relied on for critical design information.

## INFORMATION

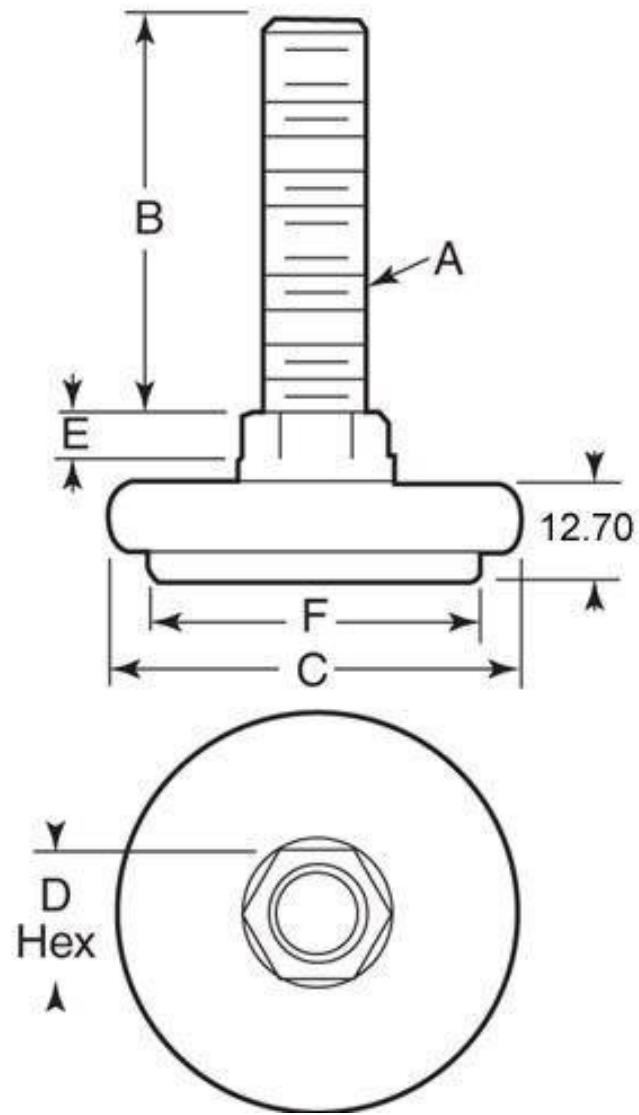
For light duty leveling applications. Can be used on furniture, light duty machines, tables, cabinets, light weight equipment etc. Adjusters.

For non skid applications

# Indicates item not stocked at time of printing - Please enquire for lead time

E&OE Pricing and all details subject to change without notice - Copyright Miniature Bearings Australia Pty Ltd

MBA Size Listings are a guide to sizes only and must not be solely relied on for critical design information.



# Indicates item not stocked at time of printing - Please enquire for lead time

E&OE Pricing and all details subject to change without notice - Copyright Miniature Bearings Australia Pty Ltd

MBA Size Listings are a guide to sizes only and must not be solely relied on for critical design information.

## Mounts - Leveling - Padded - Light Duty - With Elastomer Pads

Part Number	Load Rating Kg	Thread	Thread Length (B)	Mount Diameter (C)	Nut Diameter (D)	Nut Hieght (E)	Pad Diameter (F)	Foot Height	Pad Material
MLV-0140-0635C-L2	140	1/4-20 UNC (6.350mm)	38.100	38.100	12.700	4.064	30.988	12.700	Elastomer Pad
# MLV-0140-1270C-L2	140	1/2-13 UNC (12.700mm)	50.800	50.800	14.300	5.080	43.434	12.700	Elastomer Pad
# MLV-0140-0953C-L2	140	3/8-16 UNC (9.525mm)	50.800	50.800	14.300	5.080	43.434	12.700	Elastomer Pad
# MLV-0140-0793C-L2	140	5/16-18 UNC (7.938mm)	38.100	38.100	12.700	4.064	30.988	12.700	Elastomer Pad

# Indicates item not stocked at time of printing - Please enquire for lead time

E&OE Pricing and all details subject to change without notice - Copyright Miniature Bearings Australia Pty Ltd

MBA Size Listings are a guide to sizes only and must not be solely relied on for critical design information.

DISTRIBUTED BY

Distributed By:

