



Mounts - Leveling - Socket Type - 303 Stainless Steel

9/4/2018

Indicates item not stocked at time of printing - Please enquire for lead time

E&OE Pricing and all details subject to change without notice - Copyright Miniature Bearings Australia Pty Ltd

MBA Size Listings are a guide to sizes only and must not be solely relied on for critical design information.

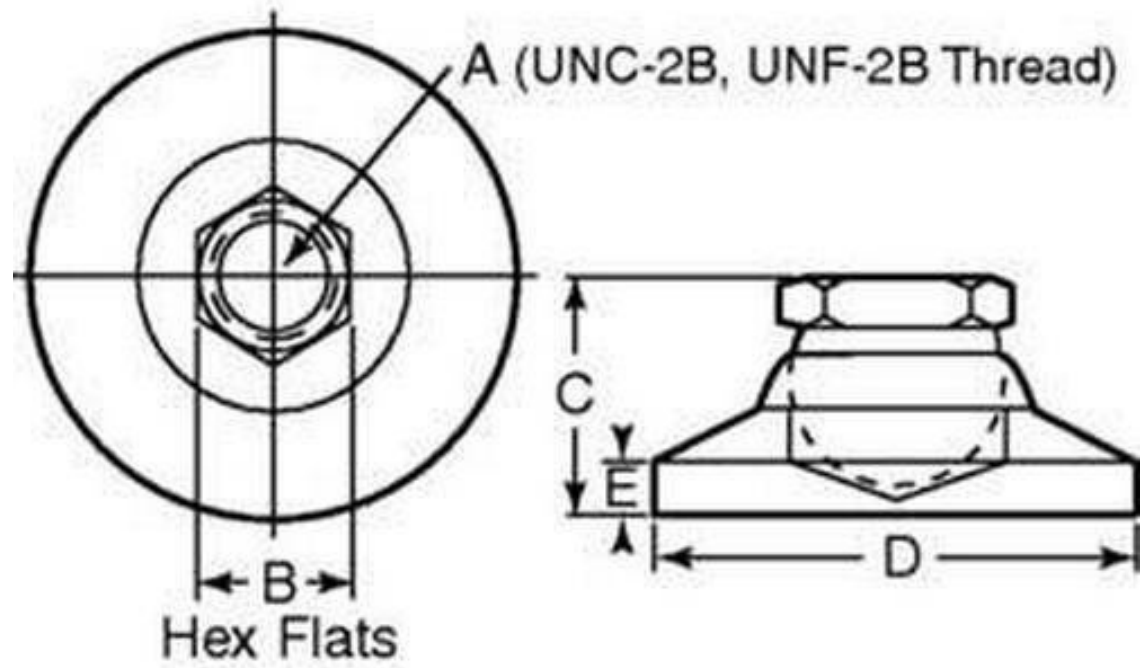
INFORMATION

15⁰ swivel off centreline to adjust to uneven surfaces and level machine tools, electronic racks and benches. Adjusters.

Indicates item not stocked at time of printing - Please enquire for lead time

E&OE Pricing and all details subject to change without notice - Copyright Miniature Bearings Australia Pty Ltd

MBA Size Listings are a guide to sizes only and must not be solely relied on for critical design information.



Indicates item not stocked at time of printing - Please enquire for lead time

E&OE Pricing and all details subject to change without notice - Copyright Miniature Bearings Australia Pty Ltd

MBA Size Listings are a guide to sizes only and must not be solely relied on for critical design information.

Mounts - Leveling - Socket Type - 303 Stainless Steel

Part Number	Load Kg	Thread Size	Min.Thread Depth mm <i>inches</i>	Hex Flats (B) mm <i>inches</i>	Foot Height (C) mm <i>inches</i>	Base Diameter (D) mm <i>inches</i>	Base Height (E) mm <i>inches</i>	Grade
# MLV-0140-M06-37	140	M6.0x1.00 (6.0mm)	4.000 <i>0.157</i>	10.000 <i>0.394</i>	13.000 <i>0.512</i>	19.000 <i>0.748</i>	3.000 <i>0.118</i>	303 Stainless
# MLV-0200-M08-37	200	M8.0x1.25 (8.0mm)	8.000 <i>0.315</i>	12.000 <i>0.472</i>	18.000 <i>0.709</i>	25.000 <i>0.984</i>	4.000 <i>0.157</i>	303 Stainless
# MLV-0320-0476F-37-A	320	10-32 UNF (4.762mm)	4.318 <i>0.170</i>	9.525 <i>0.375</i>	13.462 <i>0.530</i>	19.050 <i>0.750</i>	2.794 <i>0.110</i>	303 Stainless
# MLV-0450-0635C-37	450	1/4-20 UNC (6.35mm)	7.874 <i>0.310</i>	12.700 <i>0.500</i>	17.780 <i>0.700</i>	25.400 <i>1.000</i>	3.810 <i>0.150</i>	303 Stainless
# MLV-0770-M10-37	770	M10.0x1.50 (10.0mm)	10.000 <i>0.394</i>	16.000 <i>0.630</i>	22.000 <i>0.866</i>	32.000 <i>1.260</i>	5.000 <i>0.197</i>	303 Stainless
# MLV-1020-M12-37	1020	M12.0x1.75 (12.0mm)	11.000 <i>0.433</i>	20.000 <i>0.787</i>	29.000 <i>1.142</i>	48.000 <i>1.890</i>	6.000 <i>0.236</i>	303 Stainless
# MLV-1220-M16-37	1220	M16.0x2.00 (16.0mm)	11.000 <i>0.433</i>	22.000 <i>0.866</i>	32.000 <i>1.260</i>	64.000 <i>2.520</i>	8.000 <i>0.315</i>	303 Stainless
# MLV-1520-M20-37	1520	M20.0x2.50 (20.0mm)	16.000 <i>0.630</i>	27.000 <i>1.063</i>	38.000 <i>1.496</i>	76.000 <i>2.992</i>	13.000 <i>0.512</i>	303 Stainless

Indicates item not stocked at time of printing - Please enquire for lead time

E&OE Pricing and all details subject to change without notice - Copyright Miniature Bearings Australia Pty Ltd

MBA Size Listings are a guide to sizes only and must not be solely relied on for critical design information.

Mounts - Leveling - Socket Type - 303 Stainless Steel

Part Number	Load Kg	Thread Size	Min.Thread Depth mm	Hex Flats (B) mm	Foot Height (C) mm	Base Diameter (D) mm	Base Height (E) mm	Grade
			<i>inches</i>	<i>inches</i>	<i>inches</i>	<i>inches</i>	<i>inches</i>	
# MLV-1700-0953C-37-A	1700	3/8-16 UNC (9.525mm)	9.652	15.875	22.225	31.750	4.763	303 Stainless
			<i>0.380</i>	<i>0.625</i>	<i>0.875</i>	<i>1.250</i>	<i>0.188</i>	
# MLV-2270-1270C-37-B	2270	1/2-13 UNC (12.7mm)	11.176	19.050	28.575	47.625	6.350	303 Stainless
			<i>0.440</i>	<i>0.750</i>	<i>1.125</i>	<i>1.875</i>	<i>0.250</i>	
# MLV-2720-1590C-37-C	2720	5/8-11 UNC (15.875mm)	11.176	22.225	31.750	63.500	7.938	303 Stainless
			<i>0.440</i>	<i>0.875</i>	<i>1.250</i>	<i>2.500</i>	<i>0.313</i>	
# MLV-3360-1905C-37	3360	3/4-10 UNC (19.05mm)	15.748	26.988	38.100	76.200	12.700	303 Stainless
			<i>0.620</i>	<i>1.063</i>	<i>1.500</i>	<i>3.000</i>	<i>0.500</i>	
# MLV-4080-M24-37	4080	M24.0x3.00 (24.0mm)	20.000	35.000	48.000	102.000	10.000	303 Stainless
			<i>0.787</i>	<i>1.378</i>	<i>1.890</i>	<i>4.016</i>	<i>0.394</i>	
# MLV-9070-2540C-37	9070	1-8 UNC (25.40mm)	20.574	34.925	47.625	101.600	10.319	303 Stainless
			<i>0.810</i>	<i>1.375</i>	<i>1.875</i>	<i>4.000</i>	<i>0.406</i>	

Indicates item not stocked at time of printing - Please enquire for lead time

Page 5 of 5

E&OE Pricing and all details subject to change without notice - Copyright Miniature Bearings Australia Pty Ltd

MBA Size Listings are a guide to sizes only and must not be solely relied on for critical design information.

DISTRIBUTED BY

Distributed By:

