



Mounts - Leveling - Socket Type - Gold Chromate

9/4/2018

Indicates item not stocked at time of printing - Please enquire for lead time

E&OE Pricing and all details subject to change without notice - Copyright Miniature Bearings Australia Pty Ltd

MBA Size Listings are a guide to sizes only and must not be solely relied on for critical design information.

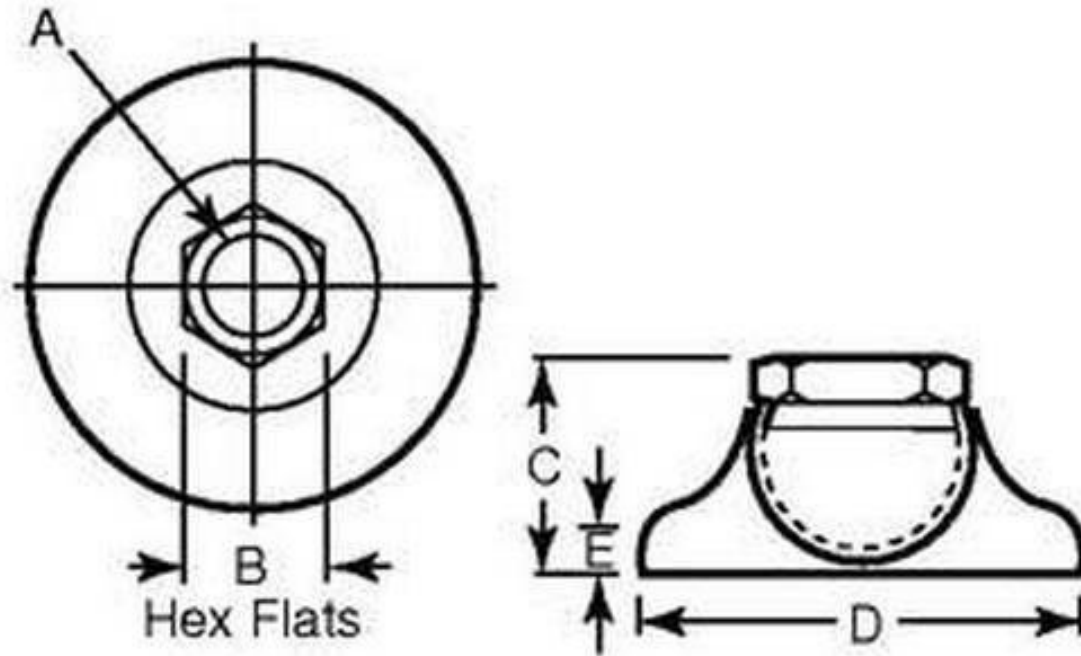
INFORMATION

For leveling machine tools, electronic racks, benches etc on uneven surfaces. Use your own stud. Adjusters.

Indicates item not stocked at time of printing - Please enquire for lead time

E&OE Pricing and all details subject to change without notice - Copyright Miniature Bearings Australia Pty Ltd

MBA Size Listings are a guide to sizes only and must not be solely relied on for critical design information.



Indicates item not stocked at time of printing - Please enquire for lead time

E&OE Pricing and all details subject to change without notice - Copyright Miniature Bearings Australia Pty Ltd

MBA Size Listings are a guide to sizes only and must not be solely relied on for critical design information.

Mounts - Leveling - Socket Type - Gold Chromate

Part Number	Load Kg	Thread	Hex Flats (B) mm	Foot Height (C) mm	Base Diameter (D) mm	Base Height (E) mm	Finish
			<i>inches</i>	<i>inches</i>	<i>inches</i>	<i>inches</i>	
# MLV-0320-0476F-G3	320	10-32 UNF (4.762mm)	9.525 <i>0.375</i>	30.937 <i>1.218</i>	19.050 <i>0.750</i>	2.769 <i>0.109</i>	Gold Chromate
# MLV-0500-0635C-G3	500	1/4-20 UNC (6.350mm)	12.700 <i>0.500</i>	103.581 <i>4.078</i>	25.400 <i>1.000</i>	3.962 <i>0.156</i>	Gold Chromate
# MLV-1700-0953C-G3	1700	3/8-16 UNC (9.525mm)	15.875 <i>0.625</i>	22.225 <i>0.875</i>	31.750 <i>1.250</i>	4.750 <i>0.187</i>	Gold Chromate
# MLV-2270-1270C-G3	2270	1/2-13 UNC (12.700mm)	19.050 <i>0.750</i>	28.575 <i>1.125</i>	47.625 <i>1.875</i>	6.350 <i>0.250</i>	Gold Chromate
# MLV-2720-1590C-G3	2720	5/8-11 UNC (15.875mm)	22.225 <i>0.875</i>	31.750 <i>1.250</i>	63.500 <i>2.500</i>	7.925 <i>0.312</i>	Gold Chromate
# MLV-3270-1905C-G3	3270	3/4-10 UNC (19.050mm)	26.975 <i>1.062</i>	38.100 <i>1.500</i>	76.200 <i>3.000</i>	12.700 <i>0.500</i>	Gold Chromate
# MLV-9980-2540C-G3	9980	1-8 UNC (25.400mm)	34.925 <i>1.375</i>	47.625 <i>1.875</i>	101.600 <i>4.000</i>	27.762 <i>1.093</i>	Gold Chromate

Indicates item not stocked at time of printing - Please enquire for lead time

E&OE Pricing and all details subject to change without notice - Copyright Miniature Bearings Australia Pty Ltd

MBA Size Listings are a guide to sizes only and must not be solely relied on for critical design information.

DISTRIBUTED BY

Distributed By:

