



Mounts - Leveling - Socket Type - Steel - Nickel Plated

9/4/2018

Indicates item not stocked at time of printing - Please enquire for lead time

E&OE Pricing and all details subject to change without notice - Copyright Miniature Bearings Australia Pty Ltd

MBA Size Listings are a guide to sizes only and must not be solely relied on for critical design information.

Page 1 of 5

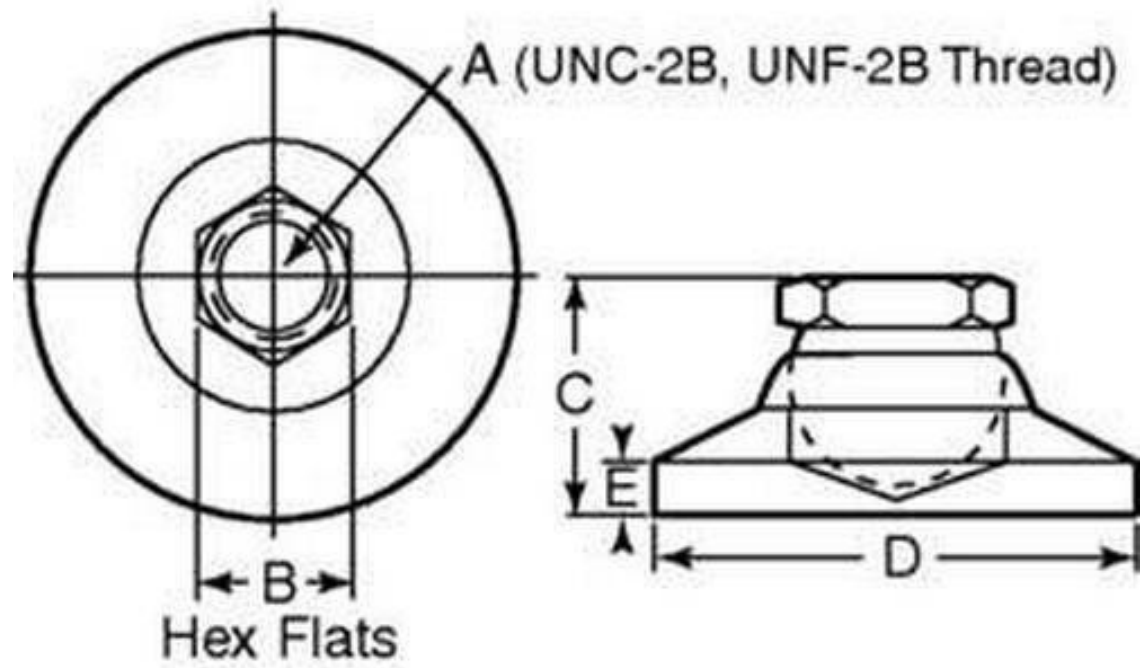
INFORMATION

15⁰ swivel off centreline to adjust to uneven surfaces and level machine tools, electronic racks and benches. Adjusters.

Indicates item not stocked at time of printing - Please enquire for lead time

E&OE Pricing and all details subject to change without notice - Copyright Miniature Bearings Australia Pty Ltd

MBA Size Listings are a guide to sizes only and must not be solely relied on for critical design information.



Indicates item not stocked at time of printing - Please enquire for lead time

E&OE Pricing and all details subject to change without notice - Copyright Miniature Bearings Australia Pty Ltd

MBA Size Listings are a guide to sizes only and must not be solely relied on for critical design information.

Mounts - Leveling - Socket Type - Steel - Nickel Plated

Part Number	Load Kg	Thread Size	Min. Thread Depth	Hex Flats (B)	Foot Height (C)	Base Diameter (D)	Base Height (E)	Finish
# MLV-0140-M06-NP1	140	M6.0x1.00 (6.0mm)	4.000	10.000	13.000	19.000	3.000	Nickel Plated
# MLV-0200-M08-NP1	200	M8.0x1.25 (8.0mm)	8.000	12.000	18.000	25.000	4.000	Nickel Plated
# MLV-0320-0476F-NP1	320	10-32 UNF (4.762mm)	4.318	9.525	13.462	19.050	2.794	Nickel Plated
# MLV-0450-0635C-NP1	450	1/4-20 UNC (6.35mm)	7.874	12.700	17.780	25.400	3.810	Nickel Plated
# MLV-0770-M10-NP1	770	M10.0x1.50 (10.0mm)	10.000	16.000	22.000	32.000	5.000	Nickel Plated
# MLV-1020-M12-NP1	1020	M12.0x1.75 (12.0mm)	11.000	20.000	29.000	48.000	6.000	Nickel Plated
# MLV-1220-M16-NP1	1220	M16.0x2.00 (16.0mm)	11.000	22.000	32.000	64.000	8.000	Nickel Plated
# MLV-1520-M20-NP1	1520	M20.0x2.50 (20.0mm)	16.000	27.000	38.000	76.000	13.000	Nickel Plated
# MLV-1700-0953C-NP1	1700	3/8-16 UNC (9.525mm)	9.652	15.875	22.225	31.750	4.763	Nickel Plated
# MLV-2270-1270C-NP1	2270	1/2-13 UNC (12.7mm)	11.176	19.050	28.575	47.625	6.350	Nickel Plated
# MLV-2720-1590C-NP1	2720	5/8-11 UNC (15.875mm)	11.176	22.225	31.750	63.500	7.938	Nickel Plated

Indicates item not stocked at time of printing - Please enquire for lead time

Page 4 of 5

E&OE Pricing and all details subject to change without notice - Copyright Miniature Bearings Australia Pty Ltd
MBA Size Listings are a guide to sizes only and must not be solely relied on for critical design information.

Mounts - Leveling - Socket Type - Steel - Nickel Plated

Part Number	Load Kg	Thread Size	Min. Thread Depth	Hex Flats (B)	Foot Height (C)	Base Diameter (D)	Base Height (E)	Finish
# MLV-3360-1905C-NP1	3360	3/4-10 UNC (19.05mm)	15.748	26.988	38.100	76.200	12.700	Nickel Plated
# MLV-4080-M24-NP1	4080	M24.0x3.00 (24.0mm)	20.000	35.000	48.000	102.000	10.000	Nickel Plated
# MLV-9070-2540C-NP1	9070	1-8 UNC (25.40mm)	20.574	34.925	47.625	101.600	10.319	Nickel Plated

Indicates item not stocked at time of printing - Please enquire for lead time

E&OE Pricing and all details subject to change without notice - Copyright Miniature Bearings Australia Pty Ltd

MBA Size Listings are a guide to sizes only and must not be solely relied on for critical design information.

DISTRIBUTED BY

Distributed By:

