



Mounts - Leveling - Stud Type - 303 Stainless Steel

9/4/2018

Indicates item not stocked at time of printing - Please enquire for lead time

E&OE Pricing and all details subject to change without notice - Copyright Miniature Bearings Australia Pty Ltd

MBA Size Listings are a guide to sizes only and must not be solely relied on for critical design information.

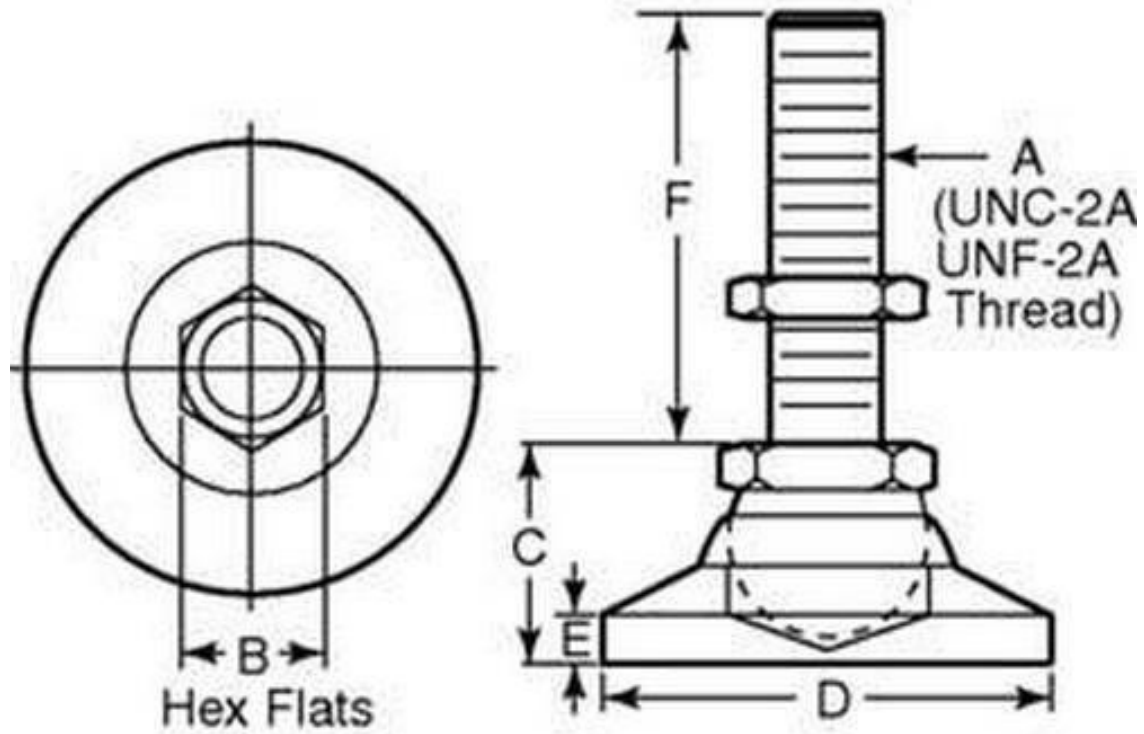
INFORMATION

15⁰ swivel off centreline to adjust to uneven surfaces and level machine tools, electronic racks and benches. Adjusters.

Indicates item not stocked at time of printing - Please enquire for lead time

E&OE Pricing and all details subject to change without notice - Copyright Miniature Bearings Australia Pty Ltd

MBA Size Listings are a guide to sizes only and must not be solely relied on for critical design information.



Indicates item not stocked at time of printing - Please enquire for lead time

E&OE Pricing and all details subject to change without notice - Copyright Miniature Bearings Australia Pty Ltd

MBA Size Listings are a guide to sizes only and must not be solely relied on for critical design information.

Mounts - Leveling - Stud Type - 303 Stainless Steel

| Part Number | Load Kg | Thread Size | Hex Flats (B) mm | Foot Height (C) mm | Base Diameter (D) mm | Base Height (E) mm | Thread Height (F) mm | Grade |
|---------------------|---------|------------------------|------------------------|------------------------|------------------------|-----------------------|------------------------|---------------|
| | | | <i>inches</i> | <i>inches</i> | <i>inches</i> | <i>inches</i> | <i>inches</i> | |
| # MLV-0140-M06-38 | 140 | M6.0x1.00 (6.0mm) | 10.000 <i>0.394</i> | 13.000 <i>0.512</i> | 19.000 <i>0.748</i> | 3.000 <i>0.118</i> | 25.000 <i>0.984</i> | 303 Stainless |
| # MLV-0200-M08-38 | 200 | M8.0x1.25 (8.0mm) | 12.000 <i>0.472</i> | 18.000 <i>0.709</i> | 25.000 <i>0.984</i> | 4.000 <i>0.157</i> | 32.000 <i>1.260</i> | 303 Stainless |
| # MLV-0320-0476F-38 | 320 | 10-32 UNF (4.762mm) | 9.525 <i>0.375</i> | 13.494 <i>0.531</i> | 19.050 <i>0.750</i> | 2.778 <i>0.109</i> | 50.800 <i>2.000</i> | 303 Stainless |
| # MLV-0410-0476F-38 | 410 | 10-32 UNF (4.762mm) | 9.525 <i>0.375</i> | 13.494 <i>0.531</i> | 19.050 <i>0.750</i> | 2.778 <i>0.109</i> | 25.400 <i>1.000</i> | 303 Stainless |
| # MLV-0500-0635C-38 | 500 | 1/4-20 UNC (6.35mm) | 12.700 <i>0.500</i> | 17.859 <i>0.703</i> | 25.400 <i>1.000</i> | 3.969 <i>0.156</i> | 63.500 <i>2.500</i> | 303 Stainless |
| # MLV-0670-0635C-38 | 670 | 1/4-20 UNC (6.35mm) | 12.700 <i>0.500</i> | 17.859 <i>0.703</i> | 25.400 <i>1.000</i> | 3.969 <i>0.156</i> | 31.750 <i>1.250</i> | 303 Stainless |
| # MLV-0770-M10-38 | 770 | M10.0x1.50 (10.0mm) | 16.000 <i>0.630</i> | 22.000 <i>0.866</i> | 32.000 <i>1.260</i> | 5.000 <i>0.197</i> | 51.000 <i>2.008</i> | 303 Stainless |
| # MLV-1020-M12-38 | 1020 | M12.0x1.75 (12.0mm) | 20.000 <i>0.787</i> | 29.000 <i>1.142</i> | 48.000 <i>1.890</i> | 6.000 <i>0.236</i> | 51.000 <i>2.008</i> | 303 Stainless |

Indicates item not stocked at time of printing - Please enquire for lead time

E&OE Pricing and all details subject to change without notice - Copyright Miniature Bearings Australia Pty Ltd

MBA Size Listings are a guide to sizes only and must not be solely relied on for critical design information.

Mounts - Leveling - Stud Type - 303 Stainless Steel

| Part Number | Load Kg | Thread Size | Hex Flats (B) mm | Foot Height (C) mm | Base Diameter (D) mm | Base Height (E) mm | Thread Height (F) mm | Grade |
|-----------------------|---------|--------------------------|------------------|--------------------|----------------------|--------------------|----------------------|---------------|
| | | | <i>inches</i> | <i>inches</i> | <i>inches</i> | <i>inches</i> | <i>inches</i> | |
| # MLV-1220-M16-38 | 1220 | M16.0x2.00 (16.0mm) | 22.000 | 32.000 | 64.000 | 8.000 | 51.000 | 303 Stainless |
| | | | <i>0.866</i> | <i>1.260</i> | <i>2.520</i> | <i>0.315</i> | <i>2.008</i> | |
| # MLV-1520-M20-38 | 1520 | M20.0x2.50 (20.0mm) | 27.000 | 38.000 | 76.000 | 13.000 | 51.000 | 303 Stainless |
| | | | <i>1.063</i> | <i>1.496</i> | <i>2.992</i> | <i>0.512</i> | <i>2.008</i> | |
| # MLV-1700-0953C-38-B | 1700 | 3/8-16 UNC (9.525mm) | 15.875 | 22.225 | 31.750 | 4.763 | 50.800 | 303 Stainless |
| | | | <i>0.625</i> | <i>0.875</i> | <i>1.250</i> | <i>0.188</i> | <i>2.000</i> | |
| # MLV-1700-0953C-38-A | 1700 | 3/8-16 UNC (9.525mm) | 15.875 | 22.225 | 31.750 | 4.763 | 101.600 | 303 Stainless |
| | | | <i>0.625</i> | <i>0.875</i> | <i>1.250</i> | <i>0.188</i> | <i>4.000</i> | |
| # MLV-2270-1270C-38-A | 2270 | 1/2-13 UNC (12.7mm) | 19.050 | 28.575 | 47.625 | 6.350 | 50.800 | 303 Stainless |
| | | | <i>0.750</i> | <i>1.125</i> | <i>1.875</i> | <i>0.250</i> | <i>2.000</i> | |
| # MLV-2270-1270C-38-B | 2270 | 1/2-13 UNC (12.7mm) | 19.050 | 28.575 | 47.625 | 6.350 | 101.600 | 303 Stainless |
| | | | <i>0.750</i> | <i>1.125</i> | <i>1.875</i> | <i>0.250</i> | <i>4.000</i> | |
| # MLV-2720-1590C-38-A | 2720 | 5/8-11 UNC (15.875mm) | 22.225 | 31.750 | 63.500 | 7.938 | 101.600 | 303 Stainless |
| | | | <i>0.875</i> | <i>1.250</i> | <i>2.500</i> | <i>0.313</i> | <i>4.000</i> | |
| # MLV-2720-1590C-38-B | 2720 | 5/8-11 UNC (15.875mm) | 22.225 | 31.750 | 63.500 | 7.938 | 50.800 | 303 Stainless |
| | | | <i>0.875</i> | <i>1.250</i> | <i>2.500</i> | <i>0.313</i> | <i>2.000</i> | |

Indicates item not stocked at time of printing - Please enquire for lead time

Page 5 of 6

E&OE Pricing and all details subject to change without notice - Copyright Miniature Bearings Australia Pty Ltd

MBA Size Listings are a guide to sizes only and must not be solely relied on for critical design information.

Mounts - Leveling - Stud Type - 303 Stainless Steel

| Part Number | Load Kg | Thread Size | Hex Flats (B) mm | Foot Height (C) mm | Base Diameter (D) mm | Base Height (E) mm | Thread Height (F) mm | Grade |
|-----------------------|---------|-------------------------|------------------|--------------------|----------------------|--------------------|----------------------|---------------|
| | | | <i>inches</i> | <i>inches</i> | <i>inches</i> | <i>inches</i> | <i>inches</i> | |
| # MLV-3270-1905C-38-A | 3270 | 3/4-10 UNC (19.05mm) | 26.988 | 38.100 | 76.200 | 12.700 | 101.600 | 303 Stainless |
| | | | <i>1.063</i> | <i>1.500</i> | <i>3.000</i> | <i>0.500</i> | <i>4.000</i> | |
| # MLV-3270-1905C-38-B | 3270 | 3/4-10 UNC (19.05mm) | 26.988 | 38.100 | 76.200 | 12.700 | 50.800 | 303 Stainless |
| | | | <i>1.063</i> | <i>1.500</i> | <i>3.000</i> | <i>0.500</i> | <i>2.000</i> | |
| # MLV-4080-M24-38-A | 4080 | M24.0x3.00 (24.0mm) | 35.000 | 48.000 | 102.000 | 10.000 | 108.000 | 303 Stainless |
| | | | <i>1.378</i> | <i>1.890</i> | <i>4.016</i> | <i>0.394</i> | <i>4.252</i> | |
| # MLV-4080-M24-38-B | 4080 | M24.0x3.00 (24.0mm) | 35.000 | 48.000 | 102.000 | 10.000 | 89.000 | 303 Stainless |
| | | | <i>1.378</i> | <i>1.890</i> | <i>4.016</i> | <i>0.394</i> | <i>3.504</i> | |
| # MLV-9980-2540C-38-B | 9980 | 1-8 UNC (25.40mm) | 34.925 | 47.625 | 101.600 | 10.319 | 203.200 | 303 Stainless |
| | | | <i>1.375</i> | <i>1.875</i> | <i>4.000</i> | <i>0.406</i> | <i>8.000</i> | |
| # MLV-9980-2540C-38-A | 9980 | 1-8 UNC (25.40mm) | 34.925 | 47.625 | 101.600 | 10.319 | 107.950 | 303 Stainless |
| | | | <i>1.375</i> | <i>1.875</i> | <i>4.000</i> | <i>0.406</i> | <i>4.250</i> | |

Indicates item not stocked at time of printing - Please enquire for lead time

E&OE Pricing and all details subject to change without notice - Copyright Miniature Bearings Australia Pty Ltd

MBA Size Listings are a guide to sizes only and must not be solely relied on for critical design information.

DISTRIBUTED BY

Distributed By:

