



Mounts - Leveling - Stud Type - Acme Thread - Stainless Steel

9/4/2018

Indicates item not stocked at time of printing - Please enquire for lead time

E&OE Pricing and all details subject to change without notice - Copyright Miniature Bearings Australia Pty Ltd

MBA Size Listings are a guide to sizes only and must not be solely relied on for critical design information.

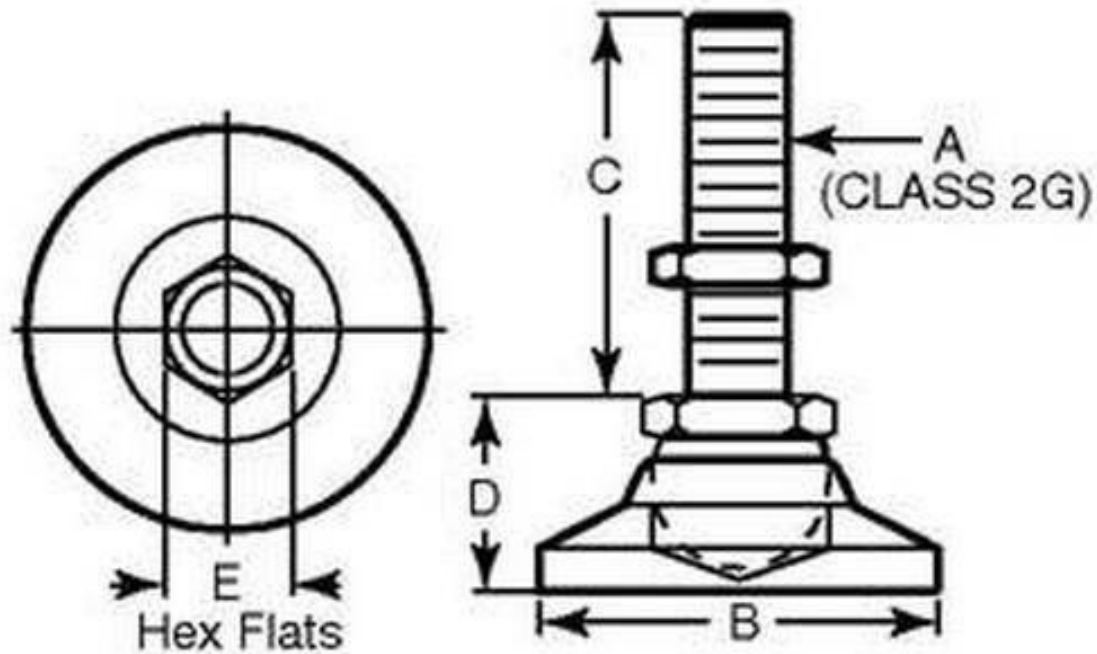
INFORMATION

303 Stainless Steel. Adjusters.

Indicates item not stocked at time of printing - Please enquire for lead time

E&OE Pricing and all details subject to change without notice - Copyright Miniature Bearings Australia Pty Ltd

MBA Size Listings are a guide to sizes only and must not be solely relied on for critical design information.



Indicates item not stocked at time of printing - Please enquire for lead time

E&OE Pricing and all details subject to change without notice - Copyright Miniature Bearings Australia Pty Ltd

MBA Size Listings are a guide to sizes only and must not be solely relied on for critical design information.

Mounts - Leveling - Stud Type - Acme Thread - Stainless Steel

Part Number	Load Kg	Thread	Base Diameter (B) mm <i>inches</i>	Thread Length (C) mm <i>inches</i>	Height (D) mm <i>inches</i>	Hex Flats (E) mm <i>inches</i>	Material	Finish
# MLV-0064-0635A-GS	680	1/4-16 (6.350mm)	25.400 <i>1.000</i>	63.50 <i>2.500</i>	26.975 <i>1.062</i>	12.700 <i>0.500</i>	303 Stainless Steel	-
# MLV-0032-0635A-GS	680	1/4-16 (6.350mm)	25.400 <i>1.000</i>	31.75 <i>1.250</i>	26.975 <i>1.062</i>	12.700 <i>0.500</i>	303 Stainless Steel	-
# MLV-0051-0793A-GS	1700	5/16-14 (7.938mm)	31.750 <i>1.250</i>	50.80 <i>2.000</i>	22.225 <i>0.875</i>	15.875 <i>0.625</i>	303 Stainless Steel	-
# MLV-0102-0793A-GS	1700	5/16-14 (7.938mm)	31.750 <i>1.250</i>	101.60 <i>4.000</i>	22.225 <i>0.875</i>	15.875 <i>0.625</i>	303 Stainless Steel	-
# MLV-0102-0953A-GS	2550	3/8-12 (9.525mm)	31.750 <i>1.250</i>	101.60 <i>4.000</i>	22.225 <i>0.875</i>	15.875 <i>0.625</i>	303 Stainless Steel	-
# MLV-0051-0953A-GS	2550	3/8-12 (9.525mm)	31.750 <i>1.250</i>	50.80 <i>2.000</i>	22.225 <i>0.875</i>	15.875 <i>0.625</i>	303 Stainless Steel	-
# MLV-0102-1270A-GS	3400	1/2-10 (12.700mm0)	47.625 <i>1.875</i>	101.60 <i>4.000</i>	28.575 <i>1.125</i>	19.050 <i>0.750</i>	303 Stainless Steel	-
# MLV-0051-1270A-GS	3400	1/2-10 (12.700mm0)	47.625 <i>1.875</i>	50.80 <i>2.000</i>	28.575 <i>1.125</i>	19.050 <i>0.750</i>	303 Stainless Steel	-
# MLV-0102-1588A-GS	4080	5/8-8 (15.875mm)	63.500 <i>2.500</i>	101.60 <i>4.000</i>	31.750 <i>1.250</i>	22.225 <i>0.875</i>	303 Stainless Steel	-
# MLV-0051-1588A-GS	4080	5/8-8 (15.875mm)	63.500 <i>2.500</i>	50.80 <i>2.000</i>	31.750 <i>1.250</i>	22.225 <i>0.875</i>	303 Stainless Steel	-

Indicates item not stocked at time of printing - Please enquire for lead time

Page 4 of 5

E&OE Pricing and all details subject to change without notice - Copyright Miniature Bearings Australia Pty Ltd

MBA Size Listings are a guide to sizes only and must not be solely relied on for critical design information.

Mounts - Leveling - Stud Type - Acme Thread - Stainless Steel

Part Number	Load Kg	Thread	Base Diameter (B) mm <i>inches</i>	Thread Length (C) mm <i>inches</i>	Height (D) mm <i>inches</i>	Hex Flats (E) mm <i>inches</i>	Material	Finish
# MLV-0102-1905A-GS	5030	3/4-6 (19.050mm)	76.200 <i>3.000</i>	101.60 <i>4.000</i>	38.100 <i>1.500</i>	26.975 <i>1.062</i>	303 Stainless Steel	-
# MLV-0051-1905A-GS	5030	3/4-6 (19.050mm)	76.200 <i>3.000</i>	50.80 <i>2.000</i>	38.100 <i>1.500</i>	26.975 <i>1.062</i>	303 Stainless Steel	-
# MLV-0203-2540A-GS	13610	1-5 (25.400mm)	101.600 <i>4.000</i>	203.20 <i>8.000</i>	47.625 <i>1.875</i>	34.925 <i>1.375</i>	303 Stainless Steel	-
# MLV-0108-2540A-GS	13610	1-5 (25.400mm)	101.600 <i>4.000</i>	107.95 <i>4.250</i>	47.625 <i>1.875</i>	34.925 <i>1.375</i>	303 Stainless Steel	-
# MLV-0152-2540A-GS	13610	1-5 (25.400mm)	101.600 <i>4.000</i>	152.40 <i>6.000</i>	47.625 <i>1.875</i>	34.925 <i>1.375</i>	303 Stainless Steel	-
# MLV-0089-2540A-GS	13610	1-5 (25.400mm)	101.600 <i>4.000</i>	88.90 <i>3.500</i>	47.625 <i>1.875</i>	34.925 <i>1.375</i>	303 Stainless Steel	-

Indicates item not stocked at time of printing - Please enquire for lead time

E&OE Pricing and all details subject to change without notice - Copyright Miniature Bearings Australia Pty Ltd

MBA Size Listings are a guide to sizes only and must not be solely relied on for critical design information.

DISTRIBUTED BY

Distributed By:

