



# **Mounts - Leveling - Stud Type - Nickel Plated - Imperial**

9/4/2018

# Indicates item not stocked at time of printing - Please enquire for lead time

E&OE Pricing and all details subject to change without notice - Copyright Miniature Bearings Australia Pty Ltd

MBA Size Listings are a guide to sizes only and must not be solely relied on for critical design information.

Page 1 of 5

## INFORMATION

Good quality with value pricing. Hardened ball for high load ratings and excellent wear characteristics. Adjusters.

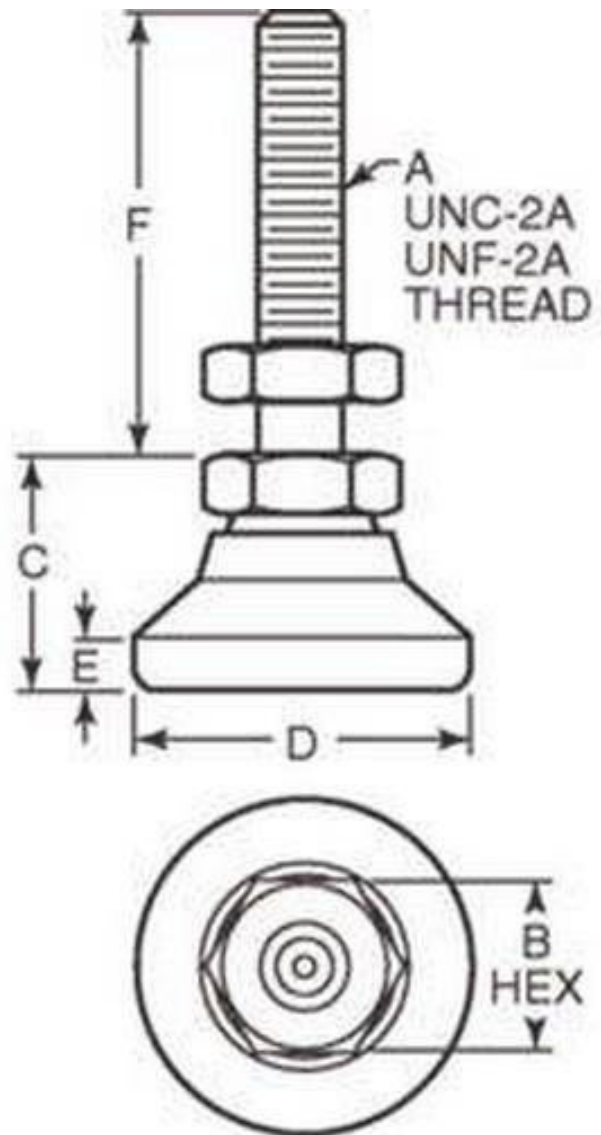
Large diameter base for added support.

15<sup>o</sup> off centre swivel for quick leveling on sloped surfaces.

# Indicates item not stocked at time of printing - Please enquire for lead time

E&OE Pricing and all details subject to change without notice - Copyright Miniature Bearings Australia Pty Ltd

MBA Size Listings are a guide to sizes only and must not be solely relied on for critical design information.



# Indicates item not stocked at time of printing - Please enquire for lead time

E&OE Pricing and all details subject to change without notice - Copyright Miniature Bearings Australia Pty Ltd

MBA Size Listings are a guide to sizes only and must not be solely relied on for critical design information.

## Mounts - Leveling - Stud Type - Nickel Plated - Imperial

Part Number	Load Rate Kg	Thread	Hex Flats (B) mm <i>inches</i>	Foot Height (C) mm <i>inches</i>	Base Diameter (D) mm <i>inches</i>	Base Height (E) mm <i>inches</i>	Thread Length (F) mm <i>inches</i>	Material	Finish
# MLV-0320-0476F-NP2-A	320	10-32 UNF (4.762mm)	9.525 <i>0.375</i>	13.49 <i>0.531</i>	19.05 <i>0.750</i>	2.778 <i>0.109</i>	25.40 <i>1.000</i>	Steel	Nickel Plated
# MLV-0320-0476F-NP2-B	320	10-32 UNF (4.762mm)	9.525 <i>0.375</i>	13.49 <i>0.531</i>	19.05 <i>0.750</i>	2.778 <i>0.109</i>	50.80 <i>2.000</i>	Steel	Nickel Plated
# MLV-0500-0635C-NP2-A	500	1/4-20 UNC (6.35mm)	12.700 <i>0.500</i>	17.86 <i>0.703</i>	25.40 <i>1.000</i>	3.969 <i>0.156</i>	38.10 <i>1.500</i>	Steel	Nickel Plated
# MLV-0500-0635C-NP2-B	500	1/4-20 UNC (6.35mm)	12.700 <i>0.500</i>	17.86 <i>0.703</i>	25.40 <i>1.000</i>	3.969 <i>0.156</i>	31.75 <i>1.250</i>	Steel	Nickel Plated
# MLV-1700-0953C-NP2-A	1700	3/8-16 UNC (9.525mm)	15.875 <i>0.625</i>	22.23 <i>0.875</i>	31.75 <i>1.250</i>	4.763 <i>0.188</i>	50.80 <i>2.000</i>	Steel	Nickel Plated
# MLV-1700-0953C-NP2-B	1700	3/8-16 UNC (9.525mm)	15.875 <i>0.625</i>	22.23 <i>0.875</i>	31.75 <i>1.250</i>	4.763 <i>0.188</i>	101.60 <i>4.000</i>	Steel	Nickel Plated
# MLV-2270-1270C-NP2-A	2270	1/2-13 UNC (12.7mm)	19.05 <i>0.750</i>	28.58 <i>1.125</i>	47.63 <i>1.875</i>	6.350 <i>0.250</i>	50.80 <i>2.000</i>	Steel	Nickel Plated
# MLV-2270-1270C-NP2-B	2270	1/2-13 UNC (12.7mm)	19.05 <i>0.750</i>	28.58 <i>1.125</i>	47.63 <i>1.875</i>	6.350 <i>0.250</i>	101.60 <i>4.000</i>	Steel	Nickel Plated

# Indicates item not stocked at time of printing - Please enquire for lead time

Page 4 of 5

E&OE Pricing and all details subject to change without notice - Copyright Miniature Bearings Australia Pty Ltd  
MBA Size Listings are a guide to sizes only and must not be solely relied on for critical design information.

## Mounts - Leveling - Stud Type - Nickel Plated - Imperial

Part Number	Load Rate Kg	Thread	Hex Flats (B) mm <i>inches</i>	Foot Height (C) mm <i>inches</i>	Base Diameter (D) mm <i>inches</i>	Base Height (E) mm <i>inches</i>	Thread Length (F) mm <i>inches</i>	Material	Finish
# MLV-2720-1590C-NP2-B	2720	5/8-11 UNC (15.875mm)	22.225 <i>0.875</i>	31.75 <i>1.250</i>	63.50 <i>2.500</i>	7.938 <i>0.313</i>	101.60 <i>4.000</i>	Steel	Nickel Plated
# MLV-2720-1590C-NP2-A	2720	5/8-11 UNC (15.875mm)	22.225 <i>0.875</i>	31.75 <i>1.250</i>	63.50 <i>2.500</i>	7.938 <i>0.313</i>	50.80 <i>2.000</i>	Steel	Nickel Plated
# MLV-3270-1905C-NP2-A	3270	3/4-10 UNC (19.05mm)	26.988 <i>1.063</i>	38.10 <i>1.500</i>	76.20 <i>3.000</i>	12.700 <i>0.500</i>	50.80 <i>2.000</i>	Steel	Nickel Plated
# MLV-3270-1905C-NP2-C	3270	3/4-10 UNC (19.05mm)	26.988 <i>1.063</i>	38.10 <i>1.500</i>	76.20 <i>3.000</i>	12.700 <i>0.500</i>	101.60 <i>4.000</i>	Steel	Nickel Plated
# MLV-9980-2540C-NP2-B	9980	1-8 UNC (25.40mm)	34.925 <i>1.375</i>	47.63 <i>1.875</i>	101.60 <i>4.000</i>	10.319 <i>0.406</i>	107.95 <i>4.250</i>	Steel	Nickel Plated
# MLV-9980-2540C-NP2-A	9980	1-8 UNC (25.40mm)	34.925 <i>1.375</i>	47.63 <i>1.875</i>	101.60 <i>4.000</i>	10.319 <i>0.406</i>	203.20 <i>8.000</i>	Steel	Nickel Plated

# Indicates item not stocked at time of printing - Please enquire for lead time

E&OE Pricing and all details subject to change without notice - Copyright Miniature Bearings Australia Pty Ltd

MBA Size Listings are a guide to sizes only and must not be solely relied on for critical design information.

DISTRIBUTED BY

Distributed By:

