



# **Mounts - Leveling - Stud Type - Nickel Plated - Metric**

9/4/2018

# Indicates item not stocked at time of printing - Please enquire for lead time

E&OE Pricing and all details subject to change without notice - Copyright Miniature Bearings Australia Pty Ltd

MBA Size Listings are a guide to sizes only and must not be solely relied on for critical design information.

## INFORMATION

Good quality with value pricing. Hardened ball for high load ratings and excellent wear characteristics. Adjusters.

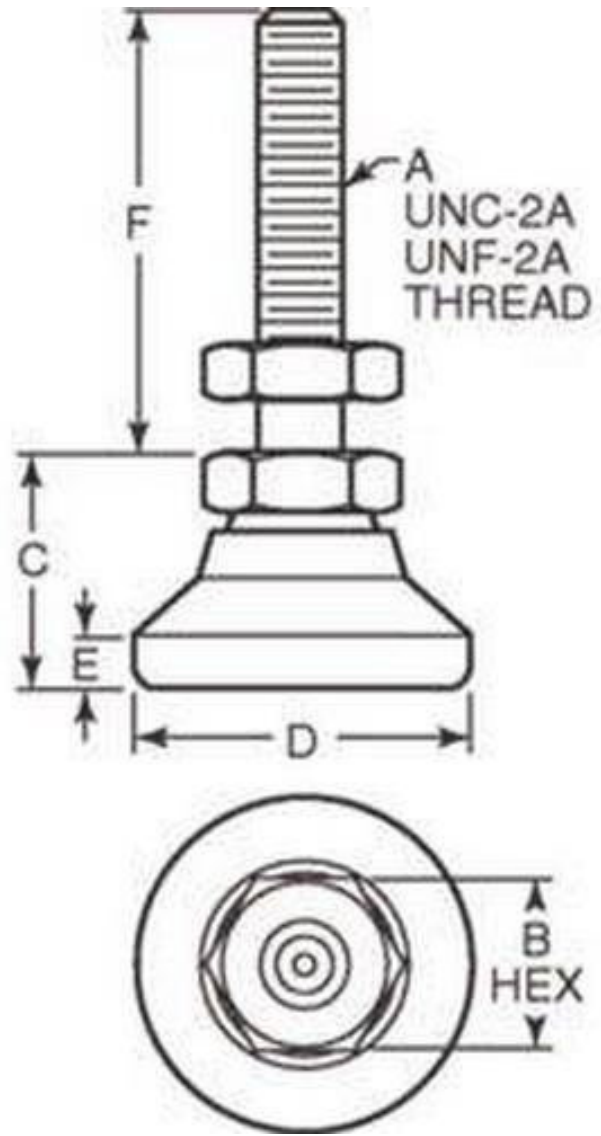
Large diameter base for added support.

15<sup>o</sup> off centre swivel for quick leveling on sloped surfaces.

# Indicates item not stocked at time of printing - Please enquire for lead time

E&OE Pricing and all details subject to change without notice - Copyright Miniature Bearings Australia Pty Ltd

MBA Size Listings are a guide to sizes only and must not be solely relied on for critical design information.



# Indicates item not stocked at time of printing - Please enquire for lead time

E&OE Pricing and all details subject to change without notice - Copyright Miniature Bearings Australia Pty Ltd

MBA Size Listings are a guide to sizes only and must not be solely relied on for critical design information.

## Mounts - Leveling - Stud Type - Nickel Plated - Metric

Part Number	Load Rate Kg	Thread	Hex Flats (B) mm <i>inches</i>	Foot Height (C) mm <i>inches</i>	Base Diameter (D) mm <i>inches</i>	Base Height (E) mm <i>inches</i>	Thread Length (F) mm <i>inches</i>	Material	Finish
# MLV-0320-M06-NP2	320	M6.0x1.00 (6.0mm)	10.00 <i>0.394</i>	13.50 <i>0.531</i>	19.10 <i>0.752</i>	2.80 <i>0.110</i>	25.40 <i>1.000</i>	Steel	Nickel Plated
# MLV-0500-M08-NP2	500	M8.0x1.25 (8.0mm)	13.00 <i>0.512</i>	17.80 <i>0.701</i>	25.40 <i>1.000</i>	3.80 <i>0.150</i>	31.80 <i>1.252</i>	Steel	Nickel Plated
# MLV-1700-M10-NP2	1700	M10.0x1.50 (10.0mm)	17.00 <i>0.669</i>	22.00 <i>0.866</i>	32.00 <i>1.260</i>	5.00 <i>0.197</i>	51.00 <i>2.008</i>	Steel	Nickel Plated
# MLV-2270-M12-NP2	2270	M12.0x1.75 (12.0mm)	19.00 <i>0.748</i>	29.00 <i>1.142</i>	48.00 <i>1.890</i>	6.00 <i>0.236</i>	51.00 <i>2.008</i>	Steel	Nickel Plated
# MLV-2720-M16-NP2	2720	M16.0x2.00 (16.0mm)	24.00 <i>0.945</i>	32.00 <i>1.260</i>	64.00 <i>2.520</i>	8.00 <i>0.315</i>	51.00 <i>2.008</i>	Steel	Nickel Plated
# MLV-3270-M20-NP2	3270	M20.0x2.50 (20.0mm)	30.00 <i>1.181</i>	38.00 <i>1.496</i>	76.00 <i>2.992</i>	13.00 <i>0.512</i>	51.00 <i>2.008</i>	Steel	Nickel Plated
# MLV-9980-M24-NP2	9980	M24.0x3.00 (24.0mm)	36.00 <i>1.417</i>	48.00 <i>1.890</i>	102.00 <i>4.016</i>	10.00 <i>0.394</i>	108.00 <i>4.252</i>	Steel	Nickel Plated

# Indicates item not stocked at time of printing - Please enquire for lead time

E&OE Pricing and all details subject to change without notice - Copyright Miniature Bearings Australia Pty Ltd  
MBA Size Listings are a guide to sizes only and must not be solely relied on for critical design information.

DISTRIBUTED BY

Distributed By:

