



Mounts - Leveling - Stud Type - Stainless Steel - Metric

9/4/2018

Indicates item not stocked at time of printing - Please enquire for lead time

E&OE Pricing and all details subject to change without notice - Copyright Miniature Bearings Australia Pty Ltd

MBA Size Listings are a guide to sizes only and must not be solely relied on for critical design information.

INFORMATION

Good quality with value pricing. 303 stainless steel. Adjusters.

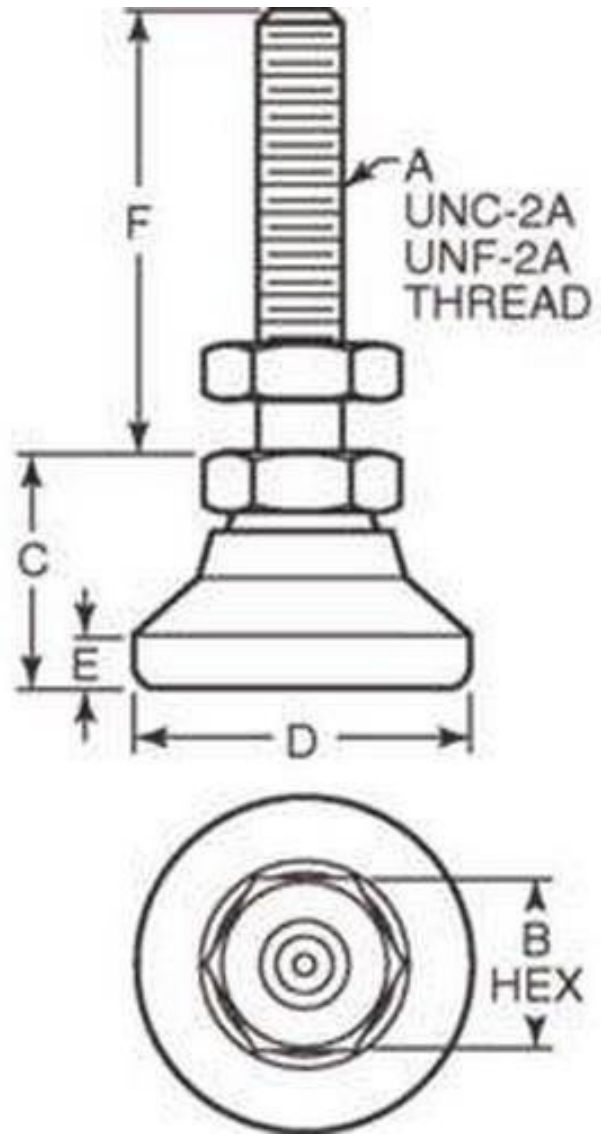
Large diameter base for added support.

15^o off centre swivel for quick leveling on sloped surfaces.

Indicates item not stocked at time of printing - Please enquire for lead time

E&OE Pricing and all details subject to change without notice - Copyright Miniature Bearings Australia Pty Ltd

MBA Size Listings are a guide to sizes only and must not be solely relied on for critical design information.



Indicates item not stocked at time of printing - Please enquire for lead time

E&OE Pricing and all details subject to change without notice - Copyright Miniature Bearings Australia Pty Ltd

MBA Size Listings are a guide to sizes only and must not be solely relied on for critical design information.

Mounts - Leveling - Stud Type - Stainless Steel - Metric

Part Number	Load Rate Kg	Thread	Hex Flats (B) mm <i>inches</i>	Foot Height (C) mm <i>inches</i>	Base Diameter (D) mm <i>inches</i>	Base Height (E) mm <i>inches</i>	Thread Length (F) mm <i>inches</i>	Material	Finish
# MLV-0320-M06-S6	320	M6.0x1.00 (6.0mm)	10.00 <i>0.394</i>	13.50 <i>0.531</i>	19.10 <i>0.752</i>	2.80 <i>0.110</i>	25.40 <i>1.000</i>	303 Stainless Steel	-
# MLV-0500-M08-S6	500	M8.0x1.25 (8.0mm)	13.00 <i>0.512</i>	17.80 <i>0.701</i>	25.40 <i>1.000</i>	3.80 <i>0.150</i>	31.80 <i>1.252</i>	303 Stainless Steel	-
# MLV-1700-M10-S6	1700	M10.0x1.50 (10.0mm)	17.00 <i>0.669</i>	22.00 <i>0.866</i>	32.00 <i>1.260</i>	5.00 <i>0.197</i>	51.00 <i>2.008</i>	303 Stainless Steel	-
# MLV-2270-M12-S6	2270	M12.0x1.75 (12.0mm)	19.00 <i>0.748</i>	29.00 <i>1.142</i>	48.00 <i>1.890</i>	6.00 <i>0.236</i>	51.00 <i>2.008</i>	303 Stainless Steel	-
# MLV-2720-M16-S6	2720	M16.0x2.00 (16.0mm)	24.00 <i>0.945</i>	32.00 <i>1.260</i>	64.00 <i>2.520</i>	8.00 <i>0.315</i>	51.00 <i>2.008</i>	303 Stainless Steel	-
# MLV-3270-M20-S6	3270	M20.0x2.50 (20.0mm)	30.00 <i>1.181</i>	38.00 <i>1.496</i>	76.00 <i>2.992</i>	13.00 <i>0.512</i>	51.00 <i>2.008</i>	303 Stainless Steel	-
# MLV-9980-M24-S6	9980	M24.0x3.00 (24.0mm)	36.00 <i>1.417</i>	48.00 <i>1.890</i>	102.00 <i>4.016</i>	10.00 <i>0.394</i>	108.00 <i>4.252</i>	303 Stainless Steel	-

Indicates item not stocked at time of printing - Please enquire for lead time

E&OE Pricing and all details subject to change without notice - Copyright Miniature Bearings Australia Pty Ltd

MBA Size Listings are a guide to sizes only and must not be solely relied on for critical design information.

DISTRIBUTED BY

Distributed By:

