



Mounts - Leveling - Stud Type - Steel - Black Chromate

9/4/2018

Indicates item not stocked at time of printing - Please enquire for lead time

E&OE Pricing and all details subject to change without notice - Copyright Miniature Bearings Australia Pty Ltd

MBA Size Listings are a guide to sizes only and must not be solely relied on for critical design information.

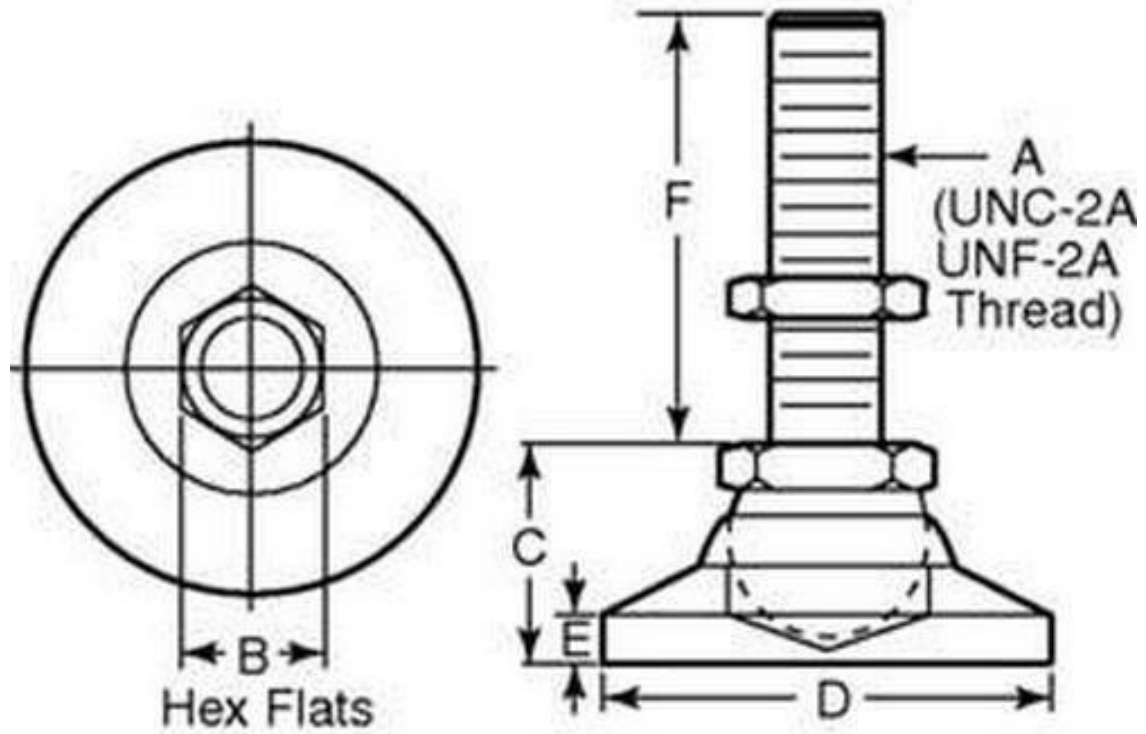
INFORMATION

15⁰ swivel off centreline to adjust to uneven surfaces and level machine tools, electronic racks and benches. Adjusters.

Indicates item not stocked at time of printing - Please enquire for lead time

E&OE Pricing and all details subject to change without notice - Copyright Miniature Bearings Australia Pty Ltd

MBA Size Listings are a guide to sizes only and must not be solely relied on for critical design information.



Indicates item not stocked at time of printing - Please enquire for lead time

E&OE Pricing and all details subject to change without notice - Copyright Miniature Bearings Australia Pty Ltd

MBA Size Listings are a guide to sizes only and must not be solely relied on for critical design information.

Mounts - Leveling - Stud Type - Steel - Black Chromate

Part Number	Load Kg	Thread Size	Hex Flats (B) mm	Foot Height (C) mm	Base Diameter (D) mm	Base Height (E) mm	Thread Height (F) mm	Finish
			<i>inches</i>	<i>inches</i>	<i>inches</i>	<i>inches</i>	<i>inches</i>	
# MLV-0320-0476F-BC	320	10-32 UNF (4.762mm)	9.525 <i>0.375</i>	13.494 <i>0.531</i>	19.050 <i>0.750</i>	2.778 <i>0.109</i>	25.400 <i>1.000</i>	Black Chromate
# MLV-0500-0635C-BC-A	500	1/4-20 UNC (6.35mm)	12.700 <i>0.500</i>	17.859 <i>0.703</i>	25.400 <i>1.000</i>	3.969 <i>0.156</i>	31.750 <i>1.250</i>	Black Chromate
# MLV-0500-0635C-BC-B	500	1/4-20 UNC (6.35mm)	12.700 <i>0.500</i>	17.859 <i>0.703</i>	25.400 <i>1.000</i>	3.969 <i>0.156</i>	63.500 <i>2.500</i>	Black Chromate
# MLV-0770-M10-BC	770	M10.0x1.50 (10.0mm)	17.000 <i>0.669</i>	22.000 <i>0.866</i>	32.000 <i>1.260</i>	5.000 <i>0.197</i>	51.000 <i>2.008</i>	Black Chromate
# MLV-1030-M12-BC	1030	M12.0x1.75 (12.0mm)	19.000 <i>0.748</i>	29.000 <i>1.142</i>	48.000 <i>1.890</i>	6.000 <i>0.236</i>	51.000 <i>2.008</i>	Black Chromate
# MLV-1240-M16-BC	1240	M16.0x2.00 (16.0mm)	24.000 <i>0.945</i>	32.000 <i>1.260</i>	64.000 <i>2.520</i>	8.000 <i>0.315</i>	51.000 <i>2.008</i>	Black Chromate
# MLV-1480-M20-BC	1480	M20.0x2.50 (20.0mm)	30.000 <i>1.181</i>	38.000 <i>1.496</i>	76.000 <i>2.992</i>	13.000 <i>0.512</i>	51.000 <i>2.008</i>	Black Chromate
# MLV-1700-0953C-BC-B	1700	3/8-16 UNC (9.525mm)	15.875 <i>0.625</i>	22.225 <i>0.875</i>	31.750 <i>1.250</i>	4.763 <i>0.188</i>	50.800 <i>2.000</i>	Black Chromate

Indicates item not stocked at time of printing - Please enquire for lead time

Page 4 of 6

E&OE Pricing and all details subject to change without notice - Copyright Miniature Bearings Australia Pty Ltd

MBA Size Listings are a guide to sizes only and must not be solely relied on for critical design information.

Mounts - Leveling - Stud Type - Steel - Black Chromate

Part Number	Load Kg	Thread Size	Hex Flats (B) mm	Foot Height (C) mm	Base Diameter (D) mm	Base Height (E) mm	Thread Height (F) mm	Finish
			<i>inches</i>	<i>inches</i>	<i>inches</i>	<i>inches</i>	<i>inches</i>	
# MLV-1700-0953C-BC-A	1700	3/8-16 UNC (9.525mm)	15.875 <i>0.625</i>	22.225 <i>0.875</i>	31.750 <i>1.250</i>	4.763 <i>0.188</i>	101.600 <i>4.000</i>	Black Chromate
# MLV-2270-1270C-BC-B	2270	1/2-13 UNC (12.7mm)	19.050 <i>0.750</i>	28.575 <i>1.125</i>	47.625 <i>1.875</i>	6.350 <i>0.250</i>	50.800 <i>2.000</i>	Black Chromate
# MLV-2270-1270C-BC-A	2270	1/2-13 UNC (12.7mm)	19.050 <i>0.750</i>	28.575 <i>1.125</i>	47.625 <i>1.875</i>	6.350 <i>0.250</i>	101.600 <i>4.000</i>	Black Chromate
# MLV-2720-1590C-BC-A	2720	5/8-11 UNC (15.875mm)	22.225 <i>0.875</i>	31.750 <i>1.250</i>	63.500 <i>2.500</i>	7.938 <i>0.313</i>	101.600 <i>4.000</i>	Black Chromate
# MLV-2720-1590C-BC-B	2720	5/8-11 UNC (15.875mm)	22.225 <i>0.875</i>	31.750 <i>1.250</i>	63.500 <i>2.500</i>	7.938 <i>0.313</i>	50.800 <i>2.000</i>	Black Chromate
# MLV-3270-1905C-BC-A	3270	3/4-10 UNC (19.05mm)	26.988 <i>1.063</i>	38.100 <i>1.500</i>	76.200 <i>3.000</i>	12.700 <i>0.500</i>	50.800 <i>2.000</i>	Black Chromate
# MLV-3270-1905C-BC-B	3270	3/4-10 UNC (19.05mm)	26.988 <i>1.063</i>	38.100 <i>1.500</i>	76.200 <i>3.000</i>	12.700 <i>0.500</i>	101.600 <i>4.000</i>	Black Chromate
# MLV-9980-2540C-BC-B	9980	1-8 UNC (25.40mm)	34.925 <i>1.375</i>	47.625 <i>1.875</i>	101.600 <i>4.000</i>	10.319 <i>0.406</i>	203.200 <i>8.000</i>	Black Chromate

Indicates item not stocked at time of printing - Please enquire for lead time

Page 5 of 6

E&OE Pricing and all details subject to change without notice - Copyright Miniature Bearings Australia Pty Ltd
MBA Size Listings are a guide to sizes only and must not be solely relied on for critical design information.

Mounts - Leveling - Stud Type - Steel - Black Chromate

Part Number	Load Kg	Thread Size	Hex Flats (B) mm	Foot Height (C) mm	Base Diameter (D) mm	Base Height (E) mm	Thread Height (F) mm	Finish
			<i>inches</i>	<i>inches</i>	<i>inches</i>	<i>inches</i>	<i>inches</i>	
# MLV-9980-2540C-BC-A	9980	1-8 UNC (25.40mm)	34.925	47.625	101.600	10.319	107.950	Black Chromate
			<i>1.375</i>	<i>1.875</i>	<i>4.000</i>	<i>0.406</i>	<i>4.250</i>	

Indicates item not stocked at time of printing - Please enquire for lead time

E&OE Pricing and all details subject to change without notice - Copyright Miniature Bearings Australia Pty Ltd

MBA Size Listings are a guide to sizes only and must not be solely relied on for critical design information.

DISTRIBUTED BY

Distributed By:

