



# **Mounts - Leveling - Stud Type - Steel - Gold Chromate**

9/4/2018

# Indicates item not stocked at time of printing - Please enquire for lead time

E&OE Pricing and all details subject to change without notice - Copyright Miniature Bearings Australia Pty Ltd

MBA Size Listings are a guide to sizes only and must not be solely relied on for critical design information.

Page 1 of 6

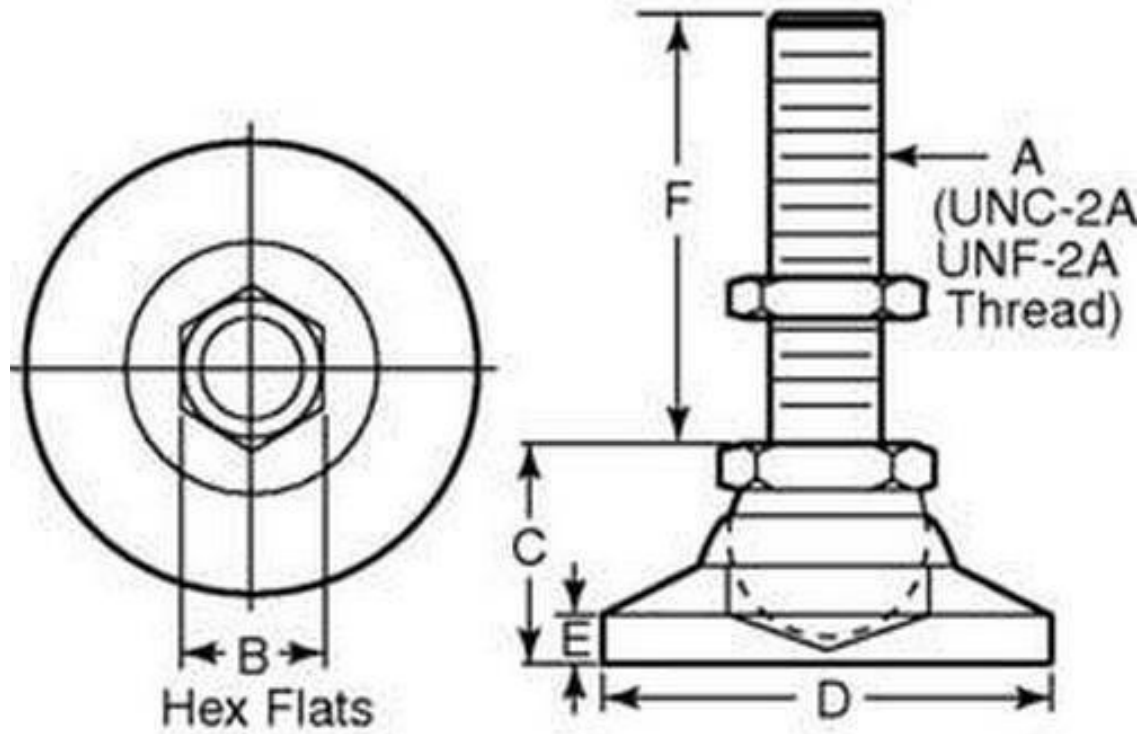
## INFORMATION

15<sup>0</sup> swivel off centreline to adjust to uneven surfaces and level machine tools, electronic racks and benches. Adjusters.

# Indicates item not stocked at time of printing - Please enquire for lead time

E&OE Pricing and all details subject to change without notice - Copyright Miniature Bearings Australia Pty Ltd

MBA Size Listings are a guide to sizes only and must not be solely relied on for critical design information.



# Indicates item not stocked at time of printing - Please enquire for lead time

E&OE Pricing and all details subject to change without notice - Copyright Miniature Bearings Australia Pty Ltd

MBA Size Listings are a guide to sizes only and must not be solely relied on for critical design information.

## Mounts - Leveling - Stud Type - Steel - Gold Chromate

Part Number	Load Kg	Thread Size	Hex Flats (B) mm	Foot Height (C) mm	Base Diameter (D) mm	Base Height (E) mm	Thread Height (F) mm	Finish
			<i>inches</i>	<i>inches</i>	<i>inches</i>	<i>inches</i>	<i>inches</i>	
# MLV-0320-0476F-GC-B	320	10-32 UNF (4.762mm)	9.525	13.494	19.050	2.778	50.800	Gold Chromate
			<i>0.375</i>	<i>0.531</i>	<i>0.750</i>	<i>0.109</i>	<i>2.000</i>	
# MLV-0320-0476F-GC-A	320	10-32 UNF (4.762mm)	9.525	13.494	19.050	2.778	25.400	Gold Chromate
			<i>0.375</i>	<i>0.531</i>	<i>0.750</i>	<i>0.109</i>	<i>1.000</i>	
# MLV-0500-0635C-GC-A	500	1/4-20 UNC (6.35mm)	12.700	17.859	25.400	3.969	63.500	Gold Chromate
			<i>0.500</i>	<i>0.703</i>	<i>1.000</i>	<i>0.156</i>	<i>2.500</i>	
# MLV-0500-0635C-GC-B	500	1/4-20 UNC (6.35mm)	12.700	17.859	25.400	3.969	31.750	Gold Chromate
			<i>0.500</i>	<i>0.703</i>	<i>1.000</i>	<i>0.156</i>	<i>1.250</i>	
# MLV-0770-M10-GC	770	M10.0x1.50 (10.0mm)	17.000	22.000	32.000	5.000	51.000	Gold Chromate
			<i>0.669</i>	<i>0.866</i>	<i>1.260</i>	<i>0.197</i>	<i>2.008</i>	
# MLV-1030-M12-GC	1030	M12.0x1.75 (12.0mm)	19.000	29.000	48.000	6.000	51.000	Gold Chromate
			<i>0.748</i>	<i>1.142</i>	<i>1.890</i>	<i>0.236</i>	<i>2.008</i>	
# MLV-1240-M16-GC	1240	M16.0x2.00 (16.0mm)	24.000	32.000	64.000	8.000	51.000	Gold Chromate
			<i>0.945</i>	<i>1.260</i>	<i>2.520</i>	<i>0.315</i>	<i>2.008</i>	
# MLV-1480-M20-GC	1480	M20.0x2.50 (20.0mm)	30.000	38.000	76.000	13.000	51.000	Gold Chromate
			<i>1.181</i>	<i>1.496</i>	<i>2.992</i>	<i>0.512</i>	<i>2.008</i>	

# Indicates item not stocked at time of printing - Please enquire for lead time

Page 4 of 6

E&OE Pricing and all details subject to change without notice - Copyright Miniature Bearings Australia Pty Ltd

MBA Size Listings are a guide to sizes only and must not be solely relied on for critical design information.

## Mounts - Leveling - Stud Type - Steel - Gold Chromate

Part Number	Load Kg	Thread Size	Hex Flats (B) mm	Foot Height (C) mm	Base Diameter (D) mm	Base Height (E) mm	Thread Height (F) mm	Finish
			<i>inches</i>	<i>inches</i>	<i>inches</i>	<i>inches</i>	<i>inches</i>	
# MLV-1700-0953F-GC	1700	3/8-24 UNF (9.525mm)	15.875	22.225	31.750	4.763	50.800	Gold Chromate
			<i>0.625</i>	<i>0.875</i>	<i>1.250</i>	<i>0.188</i>	<i>2.000</i>	
# MLV-1700-0953C-GC-A	1700	3/8-16 UNC (9.525mm)	15.875	22.225	31.750	4.763	50.800	Gold Chromate
			<i>0.625</i>	<i>0.875</i>	<i>1.250</i>	<i>0.188</i>	<i>2.000</i>	
# MLV-1700-0953C-GC-B	1700	3/8-16 UNC (9.525mm)	15.875	22.225	31.750	4.763	101.600	Gold Chromate
			<i>0.625</i>	<i>0.875</i>	<i>1.250</i>	<i>0.188</i>	<i>4.000</i>	
# MLV-2270-1270C-GC-B	2270	1/2-13 UNC (12.7mm)	19.050	28.575	47.625	6.350	101.600	Gold Chromate
			<i>0.750</i>	<i>1.125</i>	<i>1.875</i>	<i>0.250</i>	<i>4.000</i>	
# MLV-2270-1270F-GC	2270	1/2-20 UNF (12.7mm)	19.050	28.575	47.625	6.350	50.800	Gold Chromate
			<i>0.750</i>	<i>1.125</i>	<i>1.875</i>	<i>0.250</i>	<i>2.000</i>	
# MLV-2270-1270C-GC-A	2270	1/2-13 UNC (12.7mm)	19.050	28.575	47.625	6.350	50.800	Gold Chromate
			<i>0.750</i>	<i>1.125</i>	<i>1.875</i>	<i>0.250</i>	<i>2.000</i>	
# MLV-2720-1590C-GC-A	2720	5/8-11 UNC (15.875mm)	22.225	31.750	63.500	7.938	101.600	Gold Chromate
			<i>0.875</i>	<i>1.250</i>	<i>2.500</i>	<i>0.313</i>	<i>4.000</i>	
# MLV-2720-1590C-GC-B	2720	5/8-11 UNC (15.875mm)	22.225	31.750	63.500	7.938	50.800	Gold Chromate
			<i>0.875</i>	<i>1.250</i>	<i>2.500</i>	<i>0.313</i>	<i>2.000</i>	

# Indicates item not stocked at time of printing - Please enquire for lead time

Page 5 of 6

E&OE Pricing and all details subject to change without notice - Copyright Miniature Bearings Australia Pty Ltd

MBA Size Listings are a guide to sizes only and must not be solely relied on for critical design information.

## Mounts - Leveling - Stud Type - Steel - Gold Chromate

Part Number	Load Kg	Thread Size	Hex Flats (B) mm	Foot Height (C) mm	Base Diameter (D) mm	Base Height (E) mm	Thread Height (F) mm	Finish
			<i>inches</i>	<i>inches</i>	<i>inches</i>	<i>inches</i>	<i>inches</i>	
# MLV-2720-1590F-GC	2720	5/8-18 UNF (15.875mm)	22.225 <i>0.875</i>	31.750 <i>1.250</i>	63.500 <i>2.500</i>	7.938 <i>0.313</i>	50.800 <i>2.000</i>	Gold Chromate
# MLV-3270-1905C-GC-A	3270	3/4-10 UNC (19.05mm)	26.988 <i>1.063</i>	38.100 <i>1.500</i>	76.200 <i>3.000</i>	12.700 <i>0.500</i>	101.600 <i>4.000</i>	Gold Chromate
# MLV-3270-1905C-GC-B	3270	3/4-10 UNC (19.05mm)	26.988 <i>1.063</i>	38.100 <i>1.500</i>	76.200 <i>3.000</i>	12.700 <i>0.500</i>	50.800 <i>2.000</i>	Gold Chromate
# MLV-3270-1905F-GC	3270	3/4-16 UNF (19.05mm)	26.988 <i>1.063</i>	38.100 <i>1.500</i>	76.200 <i>3.000</i>	12.700 <i>0.500</i>	50.800 <i>2.000</i>	Gold Chromate
# MLV-9980-2540F-GC	9980	1-12 UNF	34.925 <i>1.375</i>	47.625 <i>1.875</i>	101.600 <i>4.000</i>	10.319 <i>0.406</i>	107.950 <i>4.250</i>	Gold Chromate
# MLV-9980-2540C-GC-A	9980	1-8 UNC (25.40mm)	34.925 <i>1.375</i>	47.625 <i>1.875</i>	101.600 <i>4.000</i>	10.319 <i>0.406</i>	107.950 <i>4.250</i>	Gold Chromate
# MLV-9980-2540C-GC-B	9980	1-8 UNC (25.40mm)	34.925 <i>1.375</i>	47.625 <i>1.875</i>	101.600 <i>4.000</i>	10.319 <i>0.406</i>	203.200 <i>8.000</i>	Gold Chromate

# Indicates item not stocked at time of printing - Please enquire for lead time

Page 6 of 6

E&OE Pricing and all details subject to change without notice - Copyright Miniature Bearings Australia Pty Ltd  
MBA Size Listings are a guide to sizes only and must not be solely relied on for critical design information.

DISTRIBUTED BY

Distributed By:

