



Mounts - Leveling - Stud Type - Steel - Nickel Plated

9/4/2018

Indicates item not stocked at time of printing - Please enquire for lead time

E&OE Pricing and all details subject to change without notice - Copyright Miniature Bearings Australia Pty Ltd

MBA Size Listings are a guide to sizes only and must not be solely relied on for critical design information.

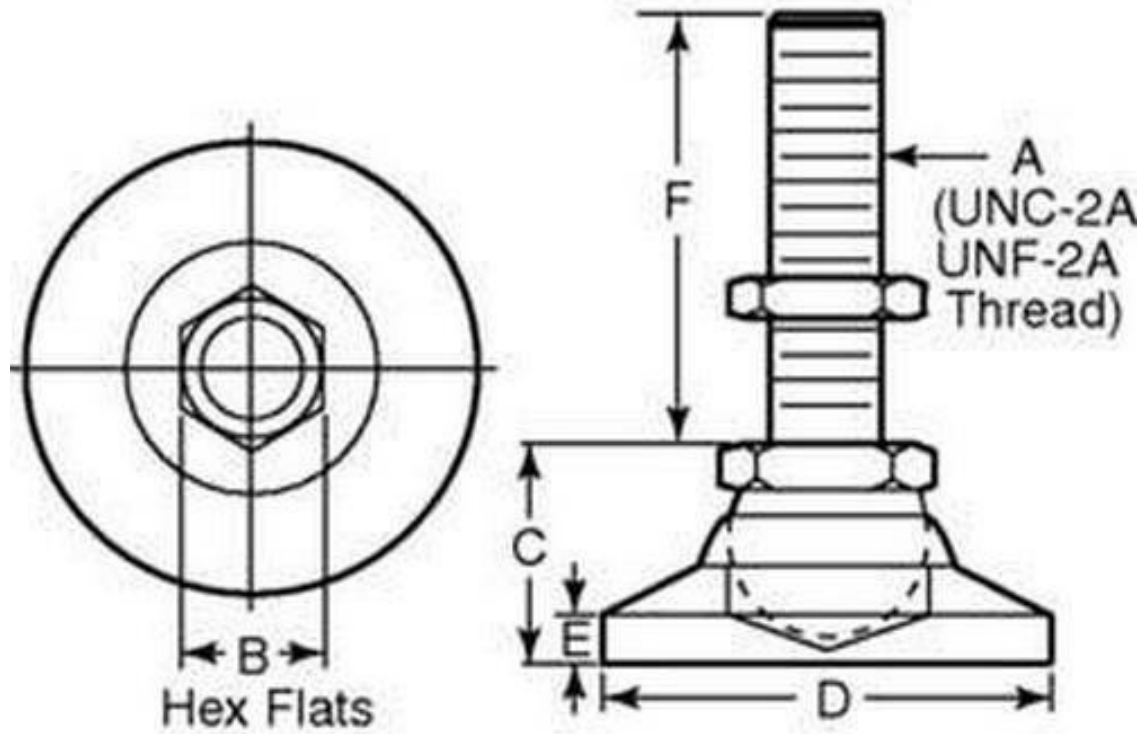
INFORMATION

15⁰ swivel off centreline to adjust to uneven surfaces and level machine tools, electronic racks and benches. Adjusters.

Indicates item not stocked at time of printing - Please enquire for lead time

E&OE Pricing and all details subject to change without notice - Copyright Miniature Bearings Australia Pty Ltd

MBA Size Listings are a guide to sizes only and must not be solely relied on for critical design information.



Indicates item not stocked at time of printing - Please enquire for lead time

E&OE Pricing and all details subject to change without notice - Copyright Miniature Bearings Australia Pty Ltd

MBA Size Listings are a guide to sizes only and must not be solely relied on for critical design information.

Mounts - Leveling - Stud Type - Steel - Nickel Plated

Part Number	Load Kg	Thread Size	Hex Flats (B) mm	Foot Height (C) mm	Base Diameter (D) mm	Base Height (E) mm	Thread Height (F) mm	Finish
			<i>inches</i>	<i>inches</i>	<i>inches</i>	<i>inches</i>	<i>inches</i>	
# MLV-0140-M06-NP-A	140	M6.0x1.00 (6.0mm0)	10.000 <i>0.394</i>	13.000 <i>0.512</i>	19.000 <i>0.748</i>	3.000 <i>0.118</i>	25.000 <i>0.984</i>	Nickel Plated
# MLV-0200-M08-NP-A	200	M8.0x1.25 (8.0mm)	12.000 <i>0.472</i>	18.000 <i>0.709</i>	25.000 <i>0.984</i>	4.000 <i>0.157</i>	32.000 <i>1.260</i>	Nickel Plated
# MLV-0320-0476F-NP-A	320	10-32 UNF (4.762mm)	9.525 <i>0.375</i>	13.494 <i>0.531</i>	19.050 <i>0.750</i>	2.778 <i>0.109</i>	25.400 <i>1.000</i>	Nickel Plated
# MLV-0320-0476F-NP-B	320	10-32 UNF (4.762mm)	9.525 <i>0.375</i>	13.494 <i>0.531</i>	19.050 <i>0.750</i>	2.778 <i>0.109</i>	50.800 <i>2.000</i>	Nickel Plated
# MLV-0450-0635C-NP-A	450	1/4-20 UNC (6.35mm)	12.700 <i>0.500</i>	17.859 <i>0.703</i>	25.400 <i>1.000</i>	3.969 <i>0.156</i>	31.750 <i>1.250</i>	Nickel Plated
# MLV-0450-0635C-NP-B	450	1/4-20 UNC (6.35mm)	12.700 <i>0.500</i>	17.859 <i>0.703</i>	25.400 <i>1.000</i>	3.969 <i>0.156</i>	63.500 <i>2.500</i>	Nickel Plated
# MLV-0770-M10-NP-A	770	M10.0x1.50 (10.0mm)	16.000 <i>0.630</i>	22.000 <i>0.866</i>	32.000 <i>1.260</i>	5.000 <i>0.197</i>	51.000 <i>2.008</i>	Nickel Plated
# MLV-1020-M12-NP-A	1020	M12.0x1.75 (12.0mm)	20.000 <i>0.787</i>	29.000 <i>1.142</i>	48.000 <i>1.890</i>	6.000 <i>0.236</i>	51.000 <i>2.008</i>	Nickel Plated

Indicates item not stocked at time of printing - Please enquire for lead time

E&OE Pricing and all details subject to change without notice - Copyright Miniature Bearings Australia Pty Ltd

MBA Size Listings are a guide to sizes only and must not be solely relied on for critical design information.

Mounts - Leveling - Stud Type - Steel - Nickel Plated

Part Number	Load Kg	Thread Size	Hex Flats (B) mm	Foot Height (C) mm	Base Diameter (D) mm	Base Height (E) mm	Thread Height (F) mm	Finish
			<i>inches</i>	<i>inches</i>	<i>inches</i>	<i>inches</i>	<i>inches</i>	
# MLV-1220-M16-NP-A	1220	M16.0x2.00 (16.0mm)	22.000	32.000	64.000	8.000	51.000	Nickel Plated
			<i>0.866</i>	<i>1.260</i>	<i>2.520</i>	<i>0.315</i>	<i>2.008</i>	
# MLV-1520-M20-NP-A	1520	M20.0x2.50 (20.0mm)	27.000	38.000	76.000	13.000	51.000	Nickel Plated
			<i>1.063</i>	<i>1.496</i>	<i>2.992</i>	<i>0.512</i>	<i>2.008</i>	
# MLV-1700-0953C-NP-B	1700	3/8-16 UNC (9.525mm)	15.875	22.225	31.750	4.763	101.600	Nickel Plated
			<i>0.625</i>	<i>0.875</i>	<i>1.250</i>	<i>0.188</i>	<i>4.000</i>	
# MLV-1700-0953C-NP-A	1700	3/8-16 UNC (9.525mm)	15.875	22.225	31.750	4.763	50.800	Nickel Plated
			<i>0.625</i>	<i>0.875</i>	<i>1.250</i>	<i>0.188</i>	<i>2.000</i>	
# MLV-2270-1270C-NP-A	2270	1/2-13 UNC (12.7mm)	19.050	28.575	47.625	6.350	50.800	Nickel Plated
			<i>0.750</i>	<i>1.125</i>	<i>1.875</i>	<i>0.250</i>	<i>2.000</i>	
# MLV-2270-1270C-NP-B	2270	1/2-13 UNC (12.7mm)	19.050	28.575	47.625	6.350	101.600	Nickel Plated
			<i>0.750</i>	<i>1.125</i>	<i>1.875</i>	<i>0.250</i>	<i>4.000</i>	
# MLV-2720-1590C-NP-A	2720	5/8-11 UNC (15.875mm)	22.225	31.750	63.500	7.938	101.600	Nickel Plated
			<i>0.875</i>	<i>1.250</i>	<i>2.500</i>	<i>0.313</i>	<i>4.000</i>	
# MLV-2720-1590C-NP-B	2720	5/8-11 UNC (15.875mm)	22.225	31.750	63.500	7.938	50.800	Nickel Plated
			<i>0.875</i>	<i>1.250</i>	<i>2.500</i>	<i>0.313</i>	<i>2.000</i>	

Indicates item not stocked at time of printing - Please enquire for lead time

Page 5 of 6

E&OE Pricing and all details subject to change without notice - Copyright Miniature Bearings Australia Pty Ltd

MBA Size Listings are a guide to sizes only and must not be solely relied on for critical design information.

Mounts - Leveling - Stud Type - Steel - Nickel Plated

Part Number	Load Kg	Thread Size	Hex Flats (B) mm	Foot Height (C) mm	Base Diameter (D) mm	Base Height (E) mm	Thread Height (F) mm	Finish
			<i>inches</i>	<i>inches</i>	<i>inches</i>	<i>inches</i>	<i>inches</i>	
# MLV-3360-1905C-NP-A	3360	3/4-10 UNC (19.05mm)	26.988	38.100	76.200	12.700	101.600	Nickel Plated
			<i>1.063</i>	<i>1.500</i>	<i>3.000</i>	<i>0.500</i>	<i>4.000</i>	
# MLV-3360-1905C-NP-B	3360	3/4-10 UNC (19.05mm)	26.988	38.100	76.200	12.700	50.800	Nickel Plated
			<i>1.063</i>	<i>1.500</i>	<i>3.000</i>	<i>0.500</i>	<i>2.000</i>	
# MLV-4080-M24-NP-A	4080	M24.0x3.00 (24.0mm)	35.000	48.000	102.000	10.000	89.000	Nickel Plated
			<i>1.378</i>	<i>1.890</i>	<i>4.016</i>	<i>0.394</i>	<i>3.504</i>	
# MLV-4080-M24-NP-B	4080	M24.0x3.00 (24.0mm)	35.000	48.000	102.000	10.000	108.000	Nickel Plated
			<i>1.378</i>	<i>1.890</i>	<i>4.016</i>	<i>0.394</i>	<i>4.252</i>	
# MLV-9070-2540C-NP-B	9070	1-8 UNC (25.40mm)	34.925	47.625	101.600	10.319	107.950	Nickel Plated
			<i>1.375</i>	<i>1.875</i>	<i>4.000</i>	<i>0.406</i>	<i>4.250</i>	
# MLV-9070-2540C-NP-A	9070	1-8 UNC (25.40mm)	34.925	47.625	101.600	10.319	203.200	Nickel Plated
			<i>1.375</i>	<i>1.875</i>	<i>4.000</i>	<i>0.406</i>	<i>8.000</i>	

Indicates item not stocked at time of printing - Please enquire for lead time

E&OE Pricing and all details subject to change without notice - Copyright Miniature Bearings Australia Pty Ltd

MBA Size Listings are a guide to sizes only and must not be solely relied on for critical design information.

DISTRIBUTED BY

Distributed By:

