



Mounts - Leveling - Stud Type - With Lag Holes

9/4/2018

Indicates item not stocked at time of printing - Please enquire for lead time

E&OE Pricing and all details subject to change without notice - Copyright Miniature Bearings Australia Pty Ltd

MBA Size Listings are a guide to sizes only and must not be solely relied on for critical design information.

Page 1 of 4

INFORMATION

15^o swivel off centreline to adjust to uneven surfaces and level machine tools, electronic racks and benches. Lag holes allow base to be secured. Adjusters.

Hardened ball prevents galling and forms it's own seat.

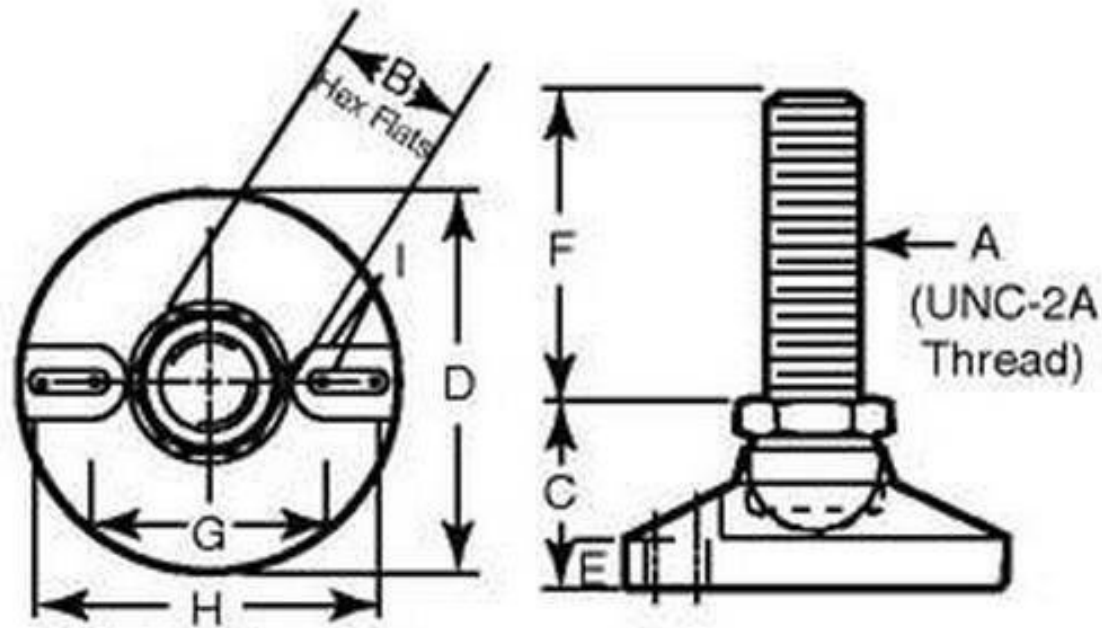
Large diameter pad design assures solid support.

Zinc plated with gold chromate finish.

Indicates item not stocked at time of printing - Please enquire for lead time

E&OE Pricing and all details subject to change without notice - Copyright Miniature Bearings Australia Pty Ltd

MBA Size Listings are a guide to sizes only and must not be solely relied on for critical design information.



Indicates item not stocked at time of printing - Please enquire for lead time

E&OE Pricing and all details subject to change without notice - Copyright Miniature Bearings Australia Pty Ltd

MBA Size Listings are a guide to sizes only and must not be solely relied on for critical design information.

Mounts - Leveling - Stud Type - With Lag Holes

Part Number	Load Capacity Kg	Thread	Hex Flats (B) mm	Foot Height (C) mm	Base Diameter (D) mm	Base Height (E) mm	Thread Length (F) mm	G mm	H mm	Cap Screw to Suit (I)
			<i>inches</i>	<i>inches</i>	<i>inches</i>	<i>inches</i>	<i>inches</i>	<i>inches</i>	<i>inches</i>	
# MLV-2720-1590C-LH-B	2720	5/8-11 UNC (15.875mm)	22.225 <i>0.875</i>	31.750 <i>1.250</i>	63.500 <i>2.500</i>	7.925 <i>0.312</i>	50.800 <i>2.000</i>	40.437 <i>1.592</i>	50.038 <i>1.970</i>	5/16-18 UNC (7.938mm)
# MLV-2720-1590C-LH-A	2720	5/8-11 UNC (15.875mm)	22.225 <i>0.875</i>	31.750 <i>1.250</i>	63.500 <i>2.500</i>	7.925 <i>0.312</i>	101.600 <i>4.000</i>	40.437 <i>1.592</i>	50.038 <i>1.970</i>	5/16-18 UNC (7.938mm)
# MLV-3270-1905C-LH-A	3270	3/4-10 UNC (19.050mm)	26.975 <i>1.062</i>	38.100 <i>1.500</i>	76.200 <i>3.000</i>	12.700 <i>0.500</i>	50.800 <i>2.000</i>	46.736 <i>1.840</i>	61.214 <i>2.410</i>	3/8-16 UNC (9.525mm)
# MLV-3270-1905C-LH-B	3270	3/4-10 UNC (19.050mm)	26.975 <i>1.062</i>	38.100 <i>1.500</i>	76.200 <i>3.000</i>	12.700 <i>0.500</i>	101.600 <i>4.000</i>	46.736 <i>1.840</i>	61.214 <i>2.410</i>	3/8-16 UNC (9.525mm)
# MLV-9980-2540C-LH-A	9980	1-8 UNC (25.400mm)	34.925 <i>1.375</i>	47.625 <i>1.875</i>	101.600 <i>4.000</i>	27.762 <i>1.093</i>	114.300 <i>4.500</i>	60.833 <i>2.395</i>	82.042 <i>3.230</i>	1/2-13 UNC (12.700mm)

Indicates item not stocked at time of printing - Please enquire for lead time

E&OE Pricing and all details subject to change without notice - Copyright Miniature Bearings Australia Pty Ltd

MBA Size Listings are a guide to sizes only and must not be solely relied on for critical design information.

DISTRIBUTED BY

Distributed By:

