



# Mounts - Leveling - Thermoplastic

9/4/2018

# Indicates item not stocked at time of printing - Please enquire for lead time

E&OE Pricing and all details subject to change without notice - Copyright Miniature Bearings Australia Pty Ltd

MBA Size Listings are a guide to sizes only and must not be solely relied on for critical design information.

## INFORMATION

Economical choice for a wide range of applications. Adjusters.

Base is made from reinforced thermoplastic.

Threaded stem is steel.

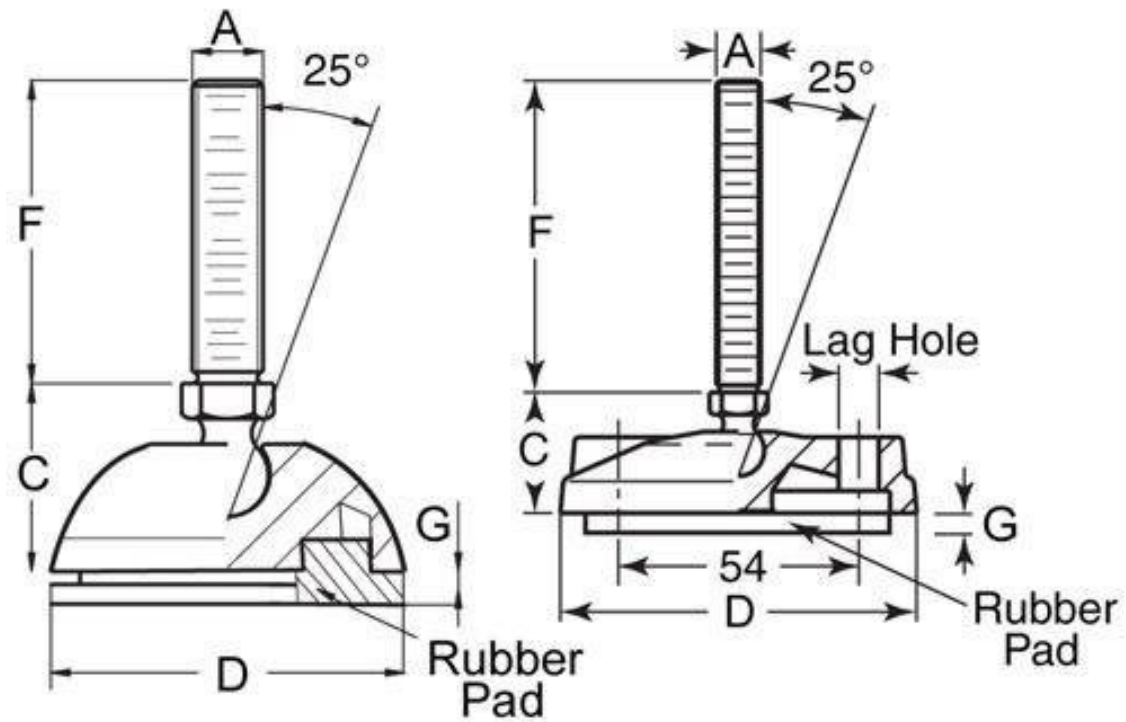
Optional non skid rubber pads available separately

This catalogue to be read in conjunction with information at <http://www.minibearings.com.au//partslist/mountslevelingrubberpads/>

# Indicates item not stocked at time of printing - Please enquire for lead time

E&OE Pricing and all details subject to change without notice - Copyright Miniature Bearings Australia Pty Ltd

MBA Size Listings are a guide to sizes only and must not be solely relied on for critical design information.



# Indicates item not stocked at time of printing - Please enquire for lead time

E&OE Pricing and all details subject to change without notice - Copyright Miniature Bearings Australia Pty Ltd

MBA Size Listings are a guide to sizes only and must not be solely relied on for critical design information.

## Mounts - Leveling - Thermoplastic

Part Number	Max. Static Load N	Thread	Foot Height (C) mm <i>inches</i>	Base Diameter (D) mm <i>inches</i>	Thread Length (F) mm <i>inches</i>	Pad Thickness (G) mm <i>inches</i>	Lag Hole Distances mm <i>inches</i>
# MLV-7842-0953C-TP-A	7842	3/8-16 UNC (9.525mm)	12.95 <i>0.510</i>	32.00 <i>1.260</i>	44.45 <i>1.750</i>	3.05 <i>0.120</i>	-
# MLV-7842-0953C-TP-B	7842	3/8-16 UNC (9.525mm)	12.95 <i>0.510</i>	39.88 <i>1.570</i>	44.45 <i>1.750</i>	3.05 <i>0.120</i>	-
# MLV-7842-0793C-TP-B	7842	5/16-18 UNC (7.938mm)	12.95 <i>0.510</i>	39.88 <i>1.570</i>	38.10 <i>1.500</i>	3.05 <i>0.120</i>	-
# MLV-7842-0793C-TP-A	7842	5/16-18 UNC (7.938mm)	12.95 <i>0.510</i>	32.00 <i>1.260</i>	38.10 <i>1.500</i>	3.05 <i>0.120</i>	-
# MLV-22-40-70-M10-TP	10000	M10.0x1.50 (10.0mm)	22.00 <i>0.866</i>	40.00 <i>1.575</i>	70.00 <i>2.756</i>	3.00 <i>0.118</i>	-
# MLV-22-32-45-M10-TP	10000	M10.0x1.50 (10.0mm)	22.00 <i>0.866</i>	32.00 <i>1.260</i>	45.00 <i>1.772</i>	3.00 <i>0.118</i>	-
# MLV-22-32-70-M08-TP	10000	M8.0x1.25 (8.0mm)	22.00 <i>0.866</i>	32.00 <i>1.260</i>	70.00 <i>2.756</i>	3.00 <i>0.118</i>	-
# MLV-22-40-45-M08-TP	10000	M8.0x1.25 (8.0mm)	22.00 <i>0.866</i>	40.00 <i>1.575</i>	45.00 <i>1.772</i>	3.00 <i>0.118</i>	-
# MLV-22-40-70-M08-TP	10000	M8.0x1.25 (8.0mm)	22.00 <i>0.866</i>	40.00 <i>1.575</i>	70.00 <i>2.756</i>	3.00 <i>0.118</i>	-

# Indicates item not stocked at time of printing - Please enquire for lead time

E&OE Pricing and all details subject to change without notice - Copyright Miniature Bearings Australia Pty Ltd

MBA Size Listings are a guide to sizes only and must not be solely relied on for critical design information.

## Mounts - Leveling - Thermoplastic

Part Number	Max. Static Load N	Thread	Foot Height (C) mm <i>inches</i>	Base Diameter (D) mm <i>inches</i>	Thread Length (F) mm <i>inches</i>	Pad Thickness (G) mm <i>inches</i>	Lag Hole Distances mm <i>inches</i>
# MLV-22-32-45-M08-TP	10000	M8.0x1.25 (8.0mm)	22.00 <i>0.866</i>	32.00 <i>1.260</i>	45.00 <i>1.772</i>	3.00 <i>0.118</i>	-
# MLV-27-80-120-M14-TP	10000	M14.0x2.00 (14.0mm)	27.00 <i>1.063</i>	80.00 <i>3.150</i>	120.00 <i>4.724</i>	2.00 <i>0.079</i>	-
# MLV-27-80-100-M20-TP-B	10000	M20.0x2.50 (20.0mm)	27.00 <i>1.063</i>	80.00 <i>3.150</i>	100.00 <i>3.937</i>	2.00 <i>0.079</i>	54.00 <i>2.126</i>
# MLV-27-80-100-M20-TP	10000	M20.0x2.50 (20.0mm)	27.00 <i>1.063</i>	80.00 <i>3.150</i>	100.00 <i>3.937</i>	2.00 <i>0.079</i>	-
# MLV-27-50-70-M10-TP	10000	M10.0x1.50 (10.0mm)	27.00 <i>1.063</i>	50.00 <i>1.969</i>	70.00 <i>2.756</i>	2.00 <i>0.079</i>	-
# MLV-27-50-70-M08-TP	10000	M8.0x1.25 (8.0mm)	27.00 <i>1.063</i>	50.00 <i>1.969</i>	70.00 <i>2.756</i>	2.00 <i>0.079</i>	-
MLV-27-50-45-M12-TP	10000	M12.0x1.75 (12.0mm)	27.00 <i>1.063</i>	50.00 <i>1.969</i>	45.00 <i>1.772</i>	2.00 <i>0.079</i>	-
# MLV-27-50-45-M08-TP	10000	M8.0x1.25 (8.0mm)	27.00 <i>1.063</i>	50.00 <i>1.969</i>	45.00 <i>1.772</i>	2.00 <i>0.079</i>	-
# MLV-27-80-45-M08-TP	10000	M8.0x1.25 (8.0mm)	27.00 <i>1.063</i>	80.00 <i>3.150</i>	45.00 <i>1.772</i>	2.00 <i>0.079</i>	-
# MLV-27-50-45-M10-TP	10000	M10.0x1.50 (10.0mm)	27.00 <i>1.063</i>	50.00 <i>1.969</i>	45.00 <i>1.772</i>	2.00 <i>0.079</i>	-

# Indicates item not stocked at time of printing - Please enquire for lead time

E&OE Pricing and all details subject to change without notice - Copyright Miniature Bearings Australia Pty Ltd  
MBA Size Listings are a guide to sizes only and must not be solely relied on for critical design information.

## Mounts - Leveling - Thermoplastic

Part Number	Max. Static Load N	Thread	Foot Height (C) mm <i>inches</i>	Base Diameter (D) mm <i>inches</i>	Thread Length (F) mm <i>inches</i>	Pad Thickness (G) mm <i>inches</i>	Lag Hole Distances mm <i>inches</i>
# MLV-27-80-120-M14-TP-B	10000	M14.0x2.00 (14.0mm)	27.00 <i>1.063</i>	80.00 <i>3.150</i>	120.00 <i>4.724</i>	2.00 <i>0.079</i>	54.00 <i>2.126</i>
# MLV-27-80-120-M16-TP-B	10000	M16.0x2.00 (16.0mm)	27.00 <i>1.063</i>	80.00 <i>3.150</i>	120.00 <i>4.724</i>	2.00 <i>0.079</i>	54.00 <i>2.126</i>
# MLV-27-80-45-M08-TP-B	10000	M8.0x1.25 (8.0mm)	27.00 <i>1.063</i>	80.00 <i>3.150</i>	45.00 <i>1.772</i>	2.00 <i>0.079</i>	54.00 <i>2.126</i>
# MLV-27-80-45-M10-TP	10000	M10.0x1.50 (10.0mm)	27.00 <i>1.063</i>	80.00 <i>3.150</i>	45.00 <i>1.772</i>	2.00 <i>0.079</i>	-
# MLV-27-80-45-M10-TP-B	10000	M10.0x1.50 (10.0mm)	27.00 <i>1.063</i>	80.00 <i>3.150</i>	45.00 <i>1.772</i>	2.00 <i>0.079</i>	54.00 <i>2.126</i>
# MLV-27-80-45-M12-TP-B	10000	M12.0x1.75 (12.0mm)	27.00 <i>1.063</i>	80.00 <i>3.150</i>	45.00 <i>1.772</i>	2.00 <i>0.079</i>	54.00 <i>2.126</i>
# MLV-27-80-70-M08-TP-B	10000	M8.0x1.25 (8.0mm)	27.00 <i>1.063</i>	80.00 <i>3.150</i>	70.00 <i>2.756</i>	2.00 <i>0.079</i>	54.00 <i>2.126</i>
# MLV-27-80-70-M10-TP-B	10000	M10.0x1.50 (10.0mm)	27.00 <i>1.063</i>	80.00 <i>3.150</i>	70.00 <i>2.756</i>	2.00 <i>0.079</i>	54.00 <i>2.126</i>
# MLV-27-80-70-M12-TP	10000	M12.0x1.75 (12.0mm)	27.00 <i>1.063</i>	80.00 <i>3.150</i>	70.00 <i>2.756</i>	2.00 <i>0.079</i>	-
# MLV-27-80-70-M12-TP-B	10000	M12.0x1.75 (12.0mm)	27.00 <i>1.063</i>	80.00 <i>3.150</i>	70.00 <i>2.756</i>	9.00 <i>0.354</i>	-

# Indicates item not stocked at time of printing - Please enquire for lead time

E&OE Pricing and all details subject to change without notice - Copyright Miniature Bearings Australia Pty Ltd

MBA Size Listings are a guide to sizes only and must not be solely relied on for critical design information.

## Mounts - Leveling - Thermoplastic

Part Number	Max. Static Load N	Thread	Foot Height (C) mm <i>inches</i>	Base Diameter (D) mm <i>inches</i>	Thread Length (F) mm <i>inches</i>	Pad Thickness (G) mm <i>inches</i>	Lag Hole Distances mm <i>inches</i>
# MLV-27-80-70-M14-TP	10000	M14.0x2.00 (14.0mm)	27.00 <i>1.063</i>	80.00 <i>3.150</i>	70.00 <i>2.756</i>	2.00 <i>0.079</i>	-
# MLV-27-80-70-M14-TP-B	10000	M14.0x2.00 (14.0mm)	27.00 <i>1.063</i>	80.00 <i>3.150</i>	70.00 <i>2.756</i>	2.00 <i>0.079</i>	54.00 <i>2.126</i>
# MLV-27-80-70-M16-TP	10000	M16.0x2.00 (16.0mm)	27.00 <i>1.063</i>	80.00 <i>3.150</i>	70.00 <i>2.756</i>	2.00 <i>0.079</i>	-
# MLV-27-80-70-M16-TP-B	10000	M16.0x2.00 (16.0mm)	27.00 <i>1.063</i>	80.00 <i>3.150</i>	70.00 <i>2.756</i>	2.00 <i>0.079</i>	54.00 <i>2.126</i>
# MLV-27-80-120-M16-TP	10000	M16.0x2.00 (16.0mm)	27.00 <i>1.063</i>	80.00 <i>3.150</i>	120.00 <i>4.724</i>	2.00 <i>0.079</i>	-

# Indicates item not stocked at time of printing - Please enquire for lead time

E&OE Pricing and all details subject to change without notice - Copyright Miniature Bearings Australia Pty Ltd

MBA Size Listings are a guide to sizes only and must not be solely relied on for critical design information.

DISTRIBUTED BY

Distributed By:

