



Mounts - Pivotal Levelers - Base Without Stud

9/4/2018

Indicates item not stocked at time of printing - Please enquire for lead time

E&OE Pricing and all details subject to change without notice - Copyright Miniature Bearings Australia Pty Ltd

MBA Size Listings are a guide to sizes only and must not be solely relied on for critical design information.

Page 1 of 4

INFORMATION

Tough bonded neoprene. Patented pivotal leveler keeps equipment level and dampens an average 85% of noise. Adjusters.

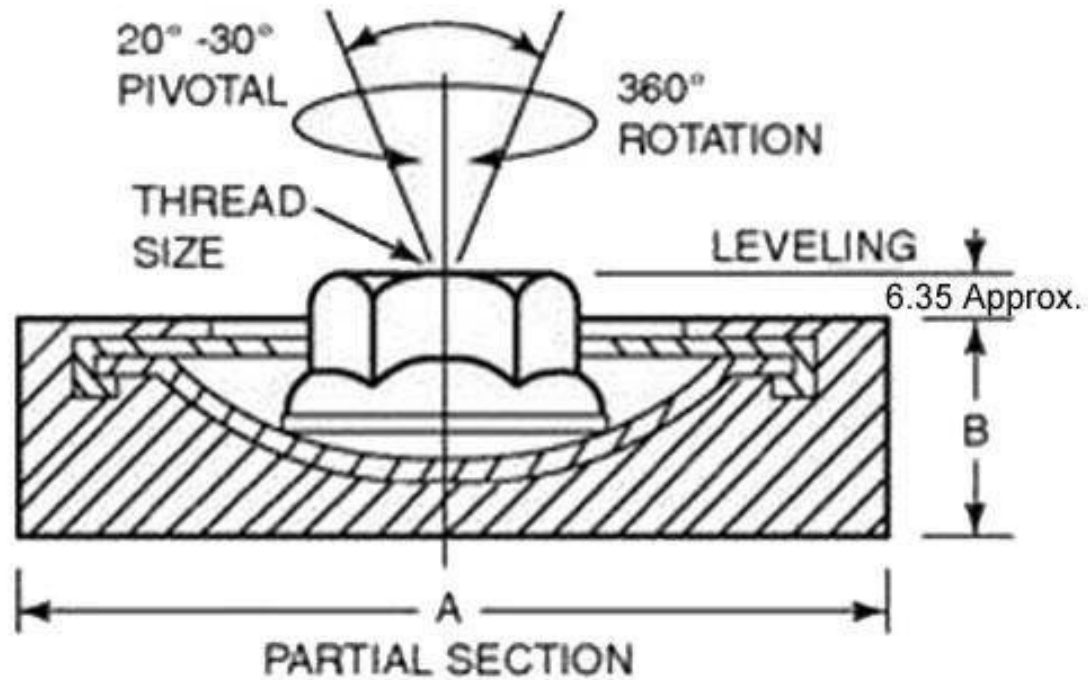
The mounting nut which holds the stud is molded into the pad in a steel bracket and rotates freely permitting at least 6.35mm of leveling.

No stud included so you can use your own custom stud.

Indicates item not stocked at time of printing - Please enquire for lead time

E&OE Pricing and all details subject to change without notice - Copyright Miniature Bearings Australia Pty Ltd

MBA Size Listings are a guide to sizes only and must not be solely relied on for critical design information.



Indicates item not stocked at time of printing - Please enquire for lead time

E&OE Pricing and all details subject to change without notice - Copyright Miniature Bearings Australia Pty Ltd

MBA Size Listings are a guide to sizes only and must not be solely relied on for critical design information.

Mounts - Pivotal Levelers - Base Without Stud

Part Number	Max Load Kg	Base Diameter (A) mm <i>inches</i>	Base Height (B) mm <i>inches</i>	Thread Size	Type
# MPL-0227-P	226.796	76.200 <i>3.000</i>	19.050 <i>0.750</i>	1/2-13 UNC (12.70mm)	Round
# MPL-0454-P	453.592	76.200 <i>3.000</i>	19.050 <i>0.750</i>	1/2-13 UNC (12.70mm)	Round
# MPL-1678-P	1678.290	127.000 <i>5.000</i>	38.100 <i>1.500</i>	3/4-10 UNC (19.05mm)	Round
# MPL-3629-P	3628.736	127.000 <i>5.000</i>	38.100 <i>1.500</i>	3/4-10 UNC (19.05mm)	Round

Indicates item not stocked at time of printing - Please enquire for lead time

E&OE Pricing and all details subject to change without notice - Copyright Miniature Bearings Australia Pty Ltd

MBA Size Listings are a guide to sizes only and must not be solely relied on for critical design information.

DISTRIBUTED BY

Distributed By:

