



Mounts - Plate - Lord Corp Style

9/4/2018

Indicates item not stocked at time of printing - Please enquire for lead time

E&OE Pricing and all details subject to change without notice - Copyright Miniature Bearings Australia Pty Ltd

MBA Size Listings are a guide to sizes only and must not be solely relied on for critical design information.

INFORMATION

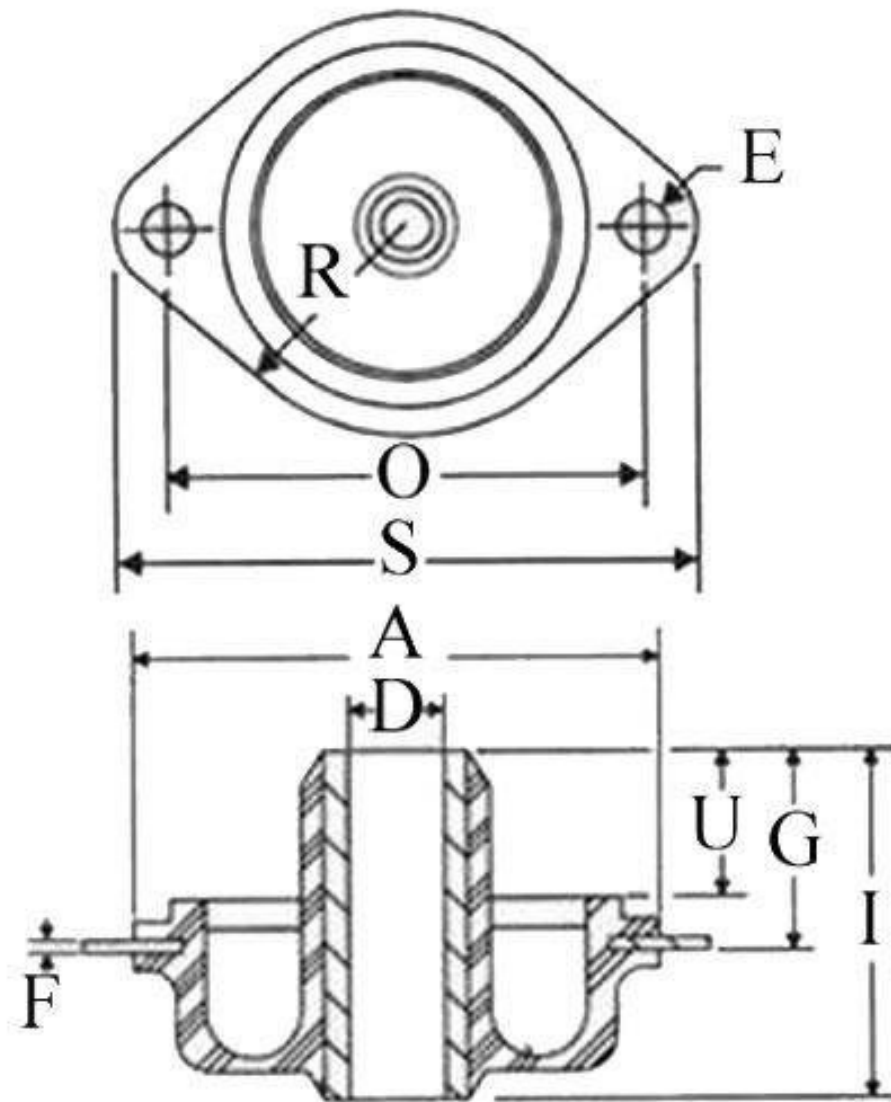
Vibration dampening

This catalogue to be read in conjunction with information at http://www.minibearings.com.au/ogue/tech/mounts/mps_platemounts_loads.pdf

Indicates item not stocked at time of printing - Please enquire for lead time

E&OE Pricing and all details subject to change without notice - Copyright Miniature Bearings Australia Pty Ltd

MBA Size Listings are a guide to sizes only and must not be solely relied on for critical design information.



Indicates item not stocked at time of printing - Please enquire for lead time

E&OE Pricing and all details subject to change without notice - Copyright Miniature Bearings Australia Pty Ltd

MBA Size Listings are a guide to sizes only and must not be solely relied on for critical design information.

Mounts - Plate - Lord Corp Style

Part Number	Max. Load Rating kg	Overall Length (S) mm	Min. Overall Height (I) mm	Hole Centres (Q) mm	Width (R x 2) mm	Centre Hole (D) mm	Material (Isolator/Base)	Plate Thickness (F) mm	Bolt Hole Size (E) mm	Height from Flange Base (G) mm
		<i>inches</i>	<i>inches</i>	<i>inches</i>	<i>inches</i>	<i>inches</i>		<i>inches</i>	<i>inches</i>	<i>inches</i>
# MPLORD-0040	0.40	42.16	21.34	35.92	31.5	4.22	Rubber / Aluminium	0.81	3.58 - 4.22	13.46
		<i>1.660</i>	<i>0.840</i>	<i>1.414</i>	<i>1.240</i>	<i>0.166</i>		<i>0.032</i>		<i>0.530</i>
# MPLORD-0090	0.90	42.16	21.34	35.92	31.5	4.22	Rubber / Aluminium	0.81	3.58 - 4.22	13.46
		<i>1.660</i>	<i>0.840</i>	<i>1.414</i>	<i>1.240</i>	<i>0.166</i>		<i>0.032</i>		<i>0.530</i>
# MPLORD-0130	1.30	42.16	21.34	35.92	31.5	4.22	Rubber / Aluminium	0.81	3.58 - 4.22	13.46
		<i>1.660</i>	<i>0.840</i>	<i>1.414</i>	<i>1.240</i>	<i>0.166</i>		<i>0.032</i>		<i>0.530</i>
# MPLORD-0180	1.80	42.16	21.34	35.92	31.5	4.22	Rubber / Aluminium	0.81	3.58 - 4.22	13.46
		<i>1.660</i>	<i>0.840</i>	<i>1.414</i>	<i>1.240</i>	<i>0.166</i>		<i>0.032</i>		<i>0.530</i>
# MPLORD-0270	2.70	42.16	21.34	35.92	31.5	4.22	Rubber / Aluminium	0.81	3.58 - 4.22	13.46
		<i>1.660</i>	<i>0.840</i>	<i>1.414</i>	<i>1.240</i>	<i>0.166</i>		<i>0.032</i>		<i>0.530</i>

Indicates item not stocked at time of printing - Please enquire for lead time

Page 4 of 4

E&OE Pricing and all details subject to change without notice - Copyright Miniature Bearings Australia Pty Ltd

MBA Size Listings are a guide to sizes only and must not be solely relied on for critical design information.

DISTRIBUTED BY

Distributed By:

