



Mounts - Rectangular - 4 Bolt

9/4/2018

Indicates item not stocked at time of printing - Please enquire for lead time

E&OE Pricing and all details subject to change without notice - Copyright Miniature Bearings Australia Pty Ltd

MBA Size Listings are a guide to sizes only and must not be solely relied on for critical design information.

INFORMATION

Rectangular elastomer component bonded with two steel plates.

Low installation height provides good stability.

Effectively isolates against horizontal and vertical vibrations.

High deflection capacity in horizontal direction whilst deflection is low in vertical.

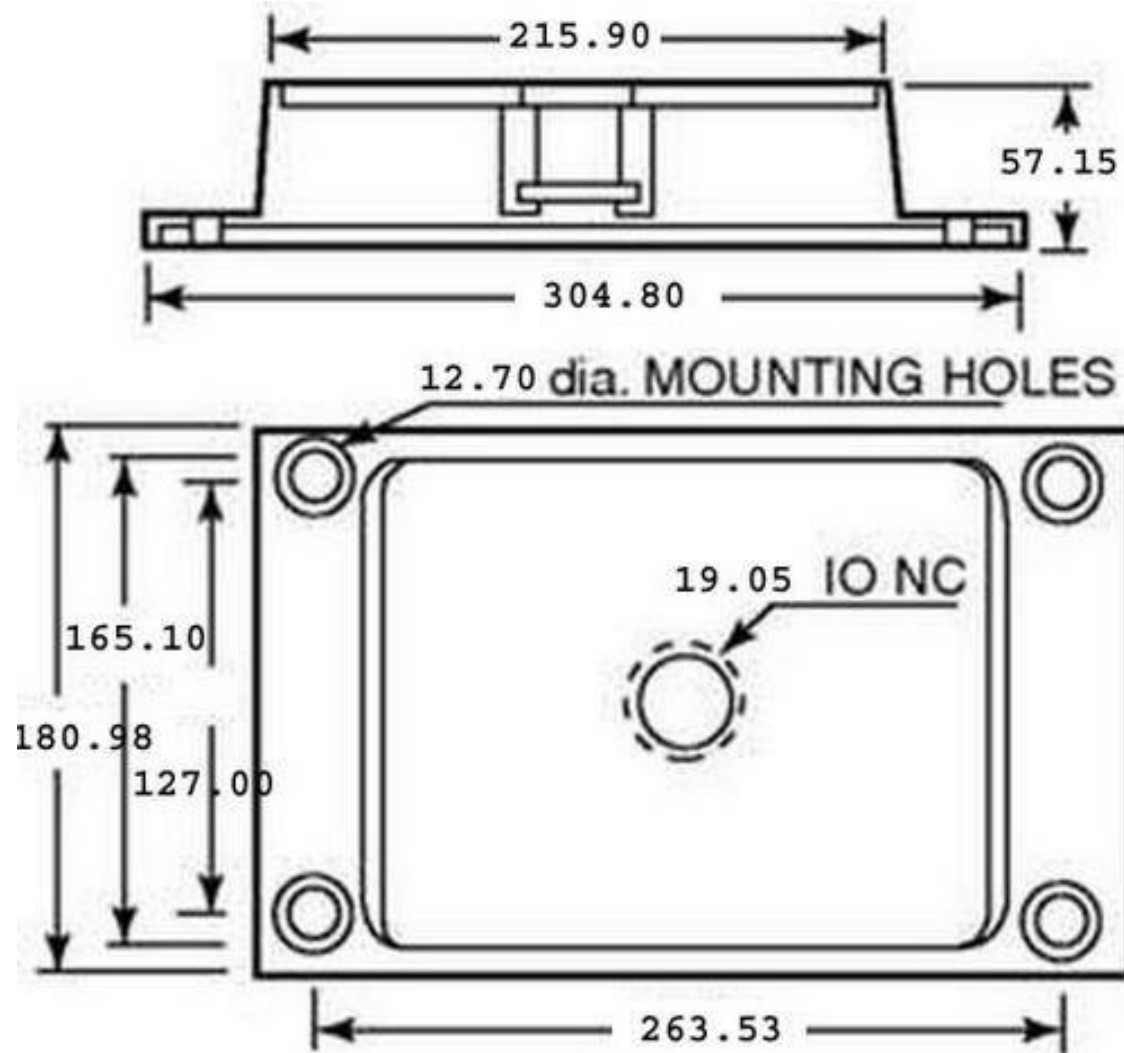
Oil and grease resistant.

Meets OSHA anchoring standards. Ideal use in presses, blowers, pumps, vibrators, rolling mills, crushers etc.

Indicates item not stocked at time of printing - Please enquire for lead time

E&OE Pricing and all details subject to change without notice - Copyright Miniature Bearings Australia Pty Ltd

MBA Size Listings are a guide to sizes only and must not be solely relied on for critical design information.



Indicates item not stocked at time of printing - Please enquire for lead time

E&OE Pricing and all details subject to change without notice - Copyright Miniature Bearings Australia Pty Ltd

MBA Size Listings are a guide to sizes only and must not be solely relied on for critical design information.

Mounts - Rectangular - 4 Bolt

Part Number	Max Load Kg	Length mm	Width mm	Height mm	Plate Length mm	Plate Width mm
		<i>inches</i>	<i>inches</i>	<i>inches</i>	<i>inches</i>	<i>inches</i>
# MR4-4536	4535.9	263.53 <i>10.375</i>	180.98 <i>7.125</i>	57.15 <i>2.250</i>	215.90 <i>8.500</i>	127.00 <i>5.000</i>
# MR4-6804	6803.9	263.53 <i>10.375</i>	180.98 <i>7.125</i>	57.15 <i>2.250</i>	215.90 <i>8.500</i>	127.00 <i>5.000</i>

Indicates item not stocked at time of printing - Please enquire for lead time

E&OE Pricing and all details subject to change without notice - Copyright Miniature Bearings Australia Pty Ltd

MBA Size Listings are a guide to sizes only and must not be solely relied on for critical design information.

DISTRIBUTED BY

Distributed By:

