



Mounts - Vibration - Isolation - Compression - Stainless Steel

9/4/2018

Indicates item not stocked at time of printing - Please enquire for lead time

E&OE Pricing and all details subject to change without notice - Copyright Miniature Bearings Australia Pty Ltd

MBA Size Listings are a guide to sizes only and must not be solely relied on for critical design information.

INFORMATION

Compression shear mounts for harsh environments.

Excellent protection against shock vibration and noise⁴ in compression and shear applications.

Developed especially for applications in harsh environments in food and pharmaceutical industries.

High dampening characteristics. Stainless top plate is domed to guard against oil contamination. Low profile. Compact design.

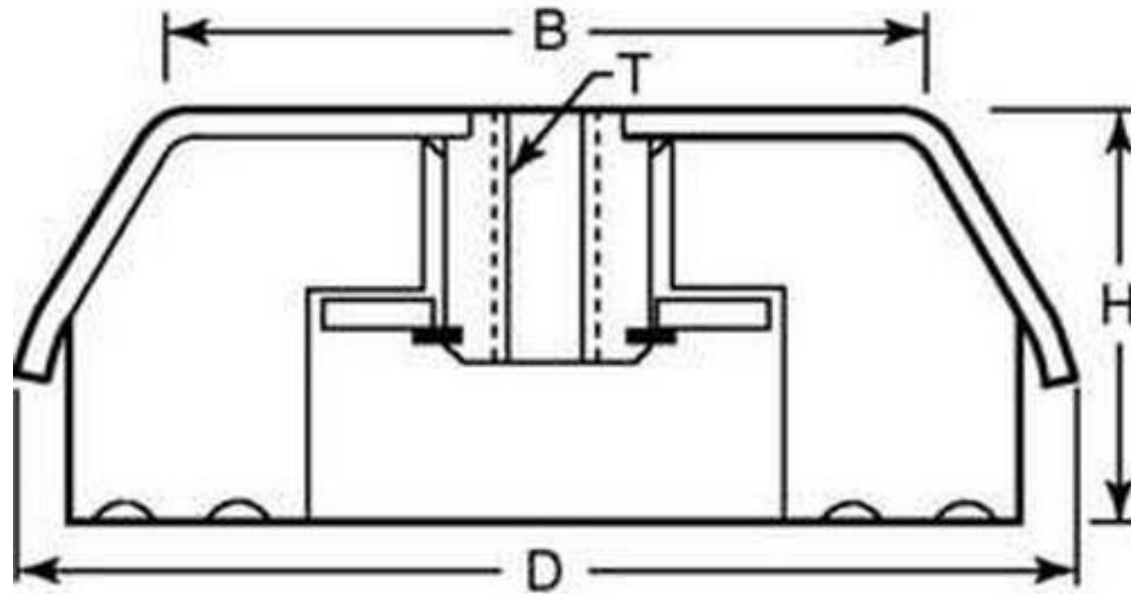
Elastomer insert is made from highly chemical resistant nitrile with good deflection properties.

Concentric rings in the base of the insert firmly anchor machine to the floor.

Indicates item not stocked at time of printing - Please enquire for lead time

E&OE Pricing and all details subject to change without notice - Copyright Miniature Bearings Australia Pty Ltd

MBA Size Listings are a guide to sizes only and must not be solely relied on for critical design information.



Indicates item not stocked at time of printing - Please enquire for lead time

E&OE Pricing and all details subject to change without notice - Copyright Miniature Bearings Australia Pty Ltd

MBA Size Listings are a guide to sizes only and must not be solely relied on for critical design information.

Mounts - Vibration - Isolation - Compression - Stainless Steel

Part Number	Load Non-Impact Machinery Kg	Load Impact Machinery Kg	Plate Diameter (B) mm <i>inches</i>	Mount Diameter (D) mm <i>inches</i>	Mount Height (H) mm <i>inches</i>	Thread Size
# MVI-0544-CS	544.310	362.874	69.850 <i>2.750</i>	92.075 <i>3.625</i>	34.925 <i>1.375</i>	1/2-13 UNC (12.70mm)
# MVI-1270-CS	1270.058	816.466	101.600 <i>4.000</i>	131.750 <i>5.187</i>	42.863 <i>1.688</i>	5/8-11 UNC (15.875mm)

Indicates item not stocked at time of printing - Please enquire for lead time

E&OE Pricing and all details subject to change without notice - Copyright Miniature Bearings Australia Pty Ltd

MBA Size Listings are a guide to sizes only and must not be solely relied on for critical design information.

DISTRIBUTED BY

Distributed By:

