



# Mounts - Vibration - Isolation - Cup Style 2

9/4/2018

# Indicates item not stocked at time of printing - Please enquire for lead time

E&OE Pricing and all details subject to change without notice - Copyright Miniature Bearings Australia Pty Ltd

MBA Size Listings are a guide to sizes only and must not be solely relied on for critical design information.

## INFORMATION

Industrial cupmounts provide excellent protection against severe impact shock, vibration and noise.

High vibration dampening. Fail safe, rugged interlocking metal and neoprene construction.

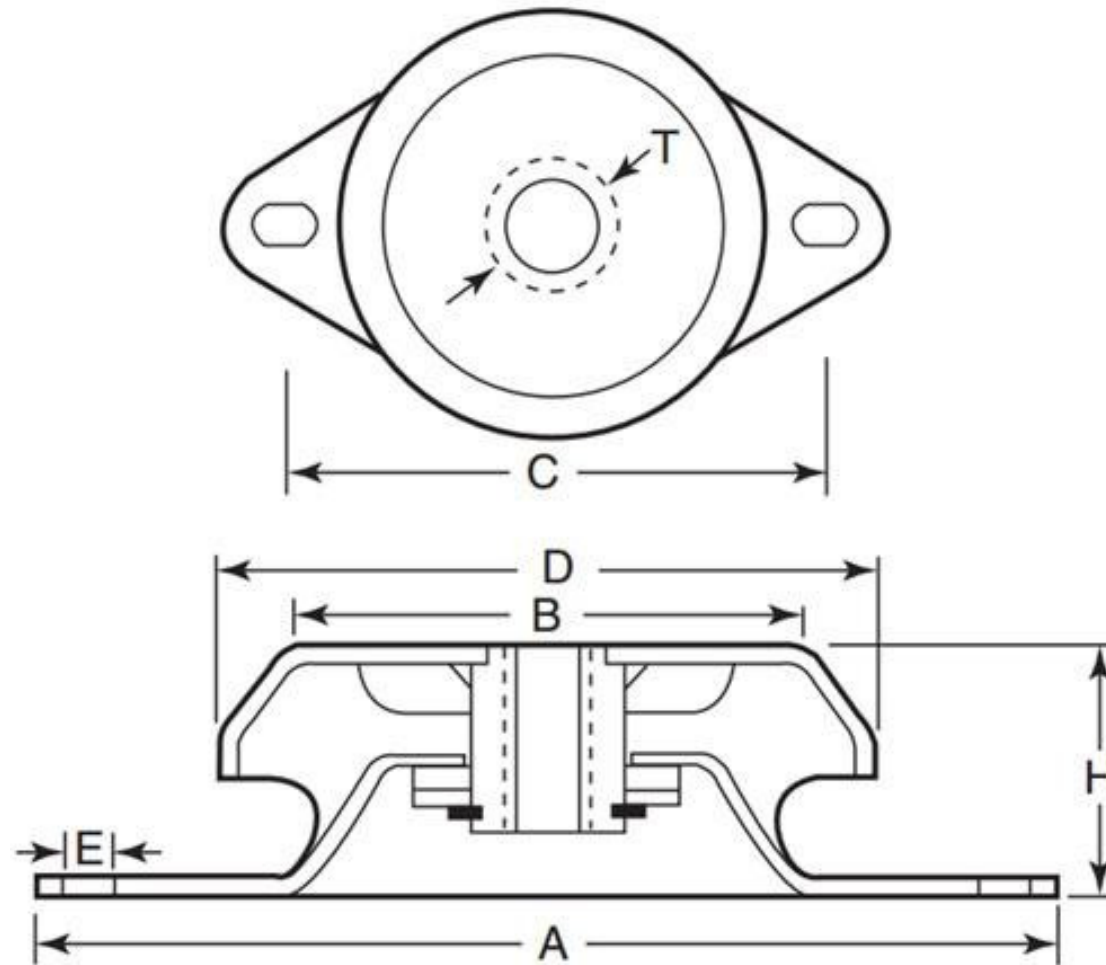
Metal cupmount is cold rolled steel. Low profile compact design. Metal top plate is domed shape to guard against oil contamination.

High grade neoprene elastomer provides resistance to ozone and oils.

# Indicates item not stocked at time of printing - Please enquire for lead time

E&OE Pricing and all details subject to change without notice - Copyright Miniature Bearings Australia Pty Ltd

MBA Size Listings are a guide to sizes only and must not be solely relied on for critical design information.



# Indicates item not stocked at time of printing - Please enquire for lead time

E&OE Pricing and all details subject to change without notice - Copyright Miniature Bearings Australia Pty Ltd

MBA Size Listings are a guide to sizes only and must not be solely relied on for critical design information.

## Mounts - Vibration - Isolation - Cup Style 2

Part Number	Load Non- Impact Machinery Kg	Load Impact Machinery Kg	Flange Length (A) mm	Plate Diameter (B) mm	Centre of Bolts (C) mm	Mount Diameter (D) mm	Bolt Hole (E) mm	Height (H) mm	Thread Size
			<i>inches</i>	<i>inches</i>	<i>inches</i>	<i>inches</i>	<i>inches</i>	<i>inches</i>	
# MVI-0181-C2	181.4	113.4	152.40	69.85	127.00	92.08	9.91	34.93	1/2-13 UNC (12.70)
			<i>6.000</i>	<i>2.750</i>	<i>5.000</i>	<i>3.625</i>	<i>0.390</i>	<i>1.375</i>	
# MVI-0318-C2	317.5	204.1	152.40	69.85	127.00	92.08	9.91	34.93	1/2-13 UNC (12.70)
			<i>6.000</i>	<i>2.750</i>	<i>5.000</i>	<i>3.625</i>	<i>0.390</i>	<i>1.375</i>	
# MVI-0635-C2	635.0	408.2	195.26	101.60	161.93	131.76	13.97	42.86	5/8-11 UNC (15.88mm)
			<i>7.687</i>	<i>4.000</i>	<i>6.375</i>	<i>5.187</i>	<i>0.550</i>	<i>1.687</i>	
# MVI-1179-C2	1179.3	771.1	195.26	101.60	161.93	131.76	13.97	42.86	5/8-11 UNC (15.88mm)
			<i>7.687</i>	<i>4.000</i>	<i>6.375</i>	<i>5.187</i>	<i>0.550</i>	<i>1.687</i>	

# Indicates item not stocked at time of printing - Please enquire for lead time

E&OE Pricing and all details subject to change without notice - Copyright Miniature Bearings Australia Pty Ltd

MBA Size Listings are a guide to sizes only and must not be solely relied on for critical design information.

DISTRIBUTED BY

Distributed By:

