



Mounts - Wedge - Heavy Duty

9/4/2018

Indicates item not stocked at time of printing - Please enquire for lead time

E&OE Pricing and all details subject to change without notice - Copyright Miniature Bearings Australia Pty Ltd

MBA Size Listings are a guide to sizes only and must not be solely relied on for critical design information.

INFORMATION

For installation and precise leveling of heavy industrial machinery.

Three machined wedges are mounted and held together by a horizontal adjusting bolt.

A lock screw ensures the mount in the leveled position.

Keys in the sliding surface of the wedges ensure rigidity within the mount construction.

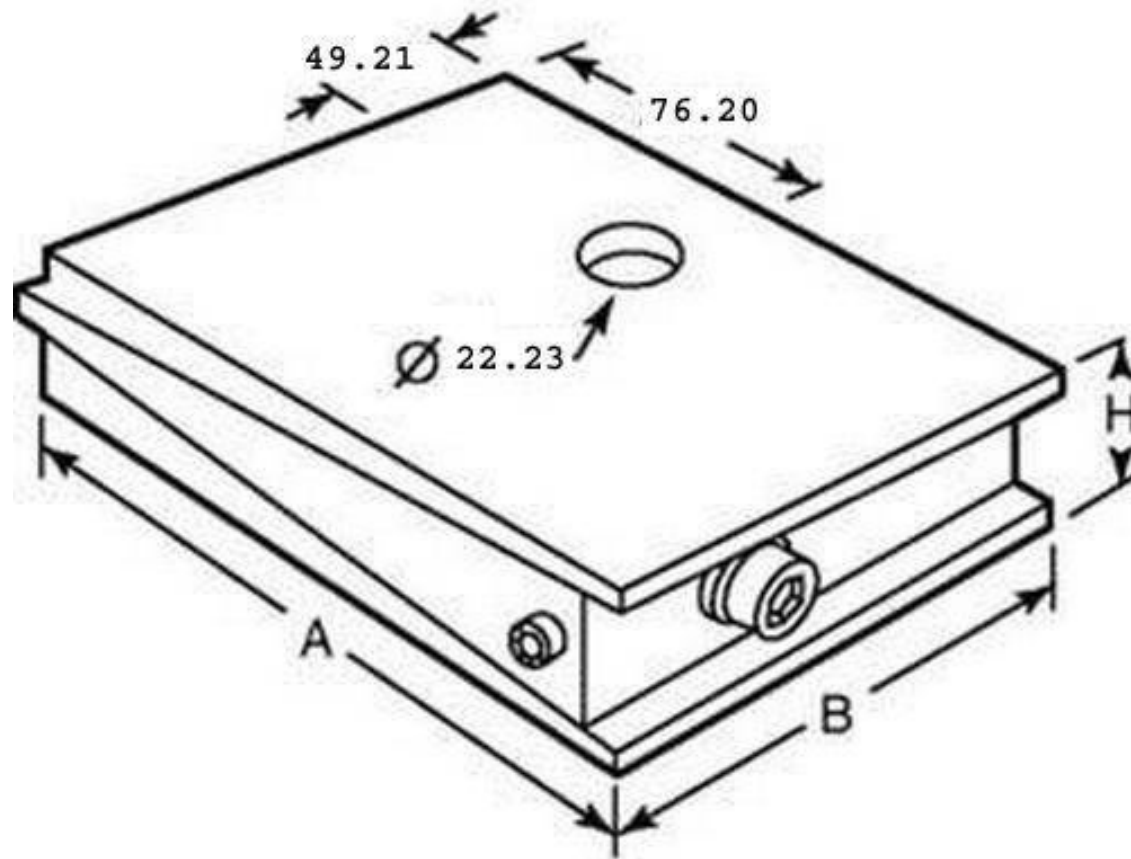
A special opening allows for bolting of the machine to the floor.

Maximum leveling is 6.35mm.

Indicates item not stocked at time of printing - Please enquire for lead time

E&OE Pricing and all details subject to change without notice - Copyright Miniature Bearings Australia Pty Ltd

MBA Size Listings are a guide to sizes only and must not be solely relied on for critical design information.



Indicates item not stocked at time of printing - Please enquire for lead time

E&OE Pricing and all details subject to change without notice - Copyright Miniature Bearings Australia Pty Ltd

MBA Size Listings are a guide to sizes only and must not be solely relied on for critical design information.

Mounts - Wedge - Heavy Duty

Part Number	Max Load Kg	Length (A) mm <i>inches</i>	Width (B) mm <i>inches</i>	Height (H) mm <i>inches</i>
# MW-4082	4082.3	152.40 <i>6.000</i>	101.60 <i>4.000</i>	50.80 <i>2.000</i>
# MW-6804	6803.9	152.40 <i>6.000</i>	101.60 <i>4.000</i>	41.28 <i>1.625</i>

Indicates item not stocked at time of printing - Please enquire for lead time

E&OE Pricing and all details subject to change without notice - Copyright Miniature Bearings Australia Pty Ltd

MBA Size Listings are a guide to sizes only and must not be solely relied on for critical design information.

DISTRIBUTED BY

Distributed By:

