



Nuts - Hexagonal - Collar

9/4/2018

Indicates item not stocked at time of printing - Please enquire for lead time

E&OE Pricing and all details subject to change without notice - Copyright Miniature Bearings Australia Pty Ltd

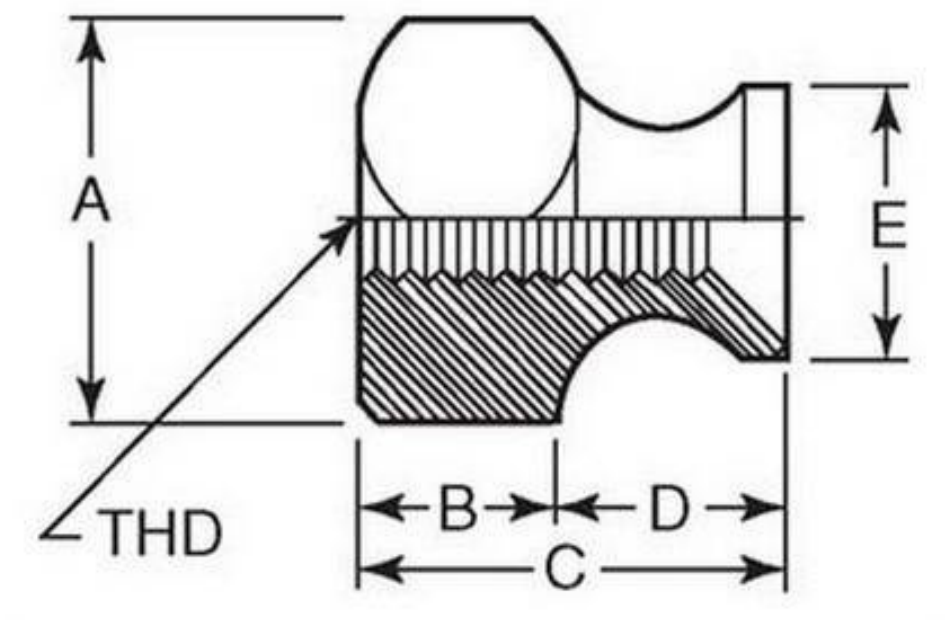
MBA Size Listings are a guide to sizes only and must not be solely relied on for critical design information.

INFORMATION

Indicates item not stocked at time of printing - Please enquire for lead time

E&OE Pricing and all details subject to change without notice - Copyright Miniature Bearings Australia Pty Ltd

MBA Size Listings are a guide to sizes only and must not be solely relied on for critical design information.



Indicates item not stocked at time of printing - Please enquire for lead time

E&OE Pricing and all details subject to change without notice - Copyright Miniature Bearings Australia Pty Ltd

MBA Size Listings are a guide to sizes only and must not be solely relied on for critical design information.

Nuts - Hexagonal - Collar

Part Number	Thread Size	Pitch in mm / Threads Per Inch	Overall Length (C)	Head Length (B)	Across Flats (A)	Collar Diameter (E)	Collar Height (D)	Material
# NT022C-HC-S4	2-56 UNC (2.184mm)	0.454mm / 56 TPI	6.350	3.175	6.350	4.763	3.175	Stainless Steel
# NT028C-HC-S4	4-40 UNC (2.845mm)	0.635mm / 40 TPI	6.350	3.175	7.938	6.350	3.175	Stainless Steel
# NT035C-HC-S4	6-32 UNC (3.5mm)	0.794mm / 32 TPI	7.144	3.175	9.525	8.731	3.969	Stainless Steel
# NT042C-HC-S4	8-32 UNC (4.166mm)	0.794mm / 32 TPI	7.144	3.175	11.113	9.525	3.969	Stainless Steel
# NT048C-HC-S4	10-24 UNC (4.762mm)	1.058mm / 24 TPI	8.731	3.969	12.700	10.319	4.763	Stainless Steel
# NT048F-HC-S4	10-32 UNF (4.762mm)	0.794mm / 32 TPI	8.731	3.969	12.700	10.319	4.763	Stainless Steel
# NT064C-HC-S4	1/4-20 UNC (6.35mm)	1.270mm / 20 TPI	9.525	3.969	14.288	11.906	5.556	Stainless Steel
# NT079C-HC-S4	5/16-18 UNC (7.938mm)	1.411mm / 18 TPI	10.319	4.763	15.875	13.494	5.556	Stainless Steel
# NT095C-HC-S4	3/8-16 UNC (9.525mm)	1.588mm / 16 TPI	11.906	5.556	19.050	15.875	6.350	Stainless Steel

Indicates item not stocked at time of printing - Please enquire for lead time

Page 4 of 4

E&OE Pricing and all details subject to change without notice - Copyright Miniature Bearings Australia Pty Ltd
MBA Size Listings are a guide to sizes only and must not be solely relied on for critical design information.

DISTRIBUTED BY

Distributed By:

