



# Nuts - Hexagonal - Locking

9/4/2018

# Indicates item not stocked at time of printing - Please enquire for lead time

E&OE Pricing and all details subject to change without notice - Copyright Miniature Bearings Australia Pty Ltd

MBA Size Listings are a guide to sizes only and must not be solely relied on for critical design information.

## INFORMATION

By applying torque to the locking screw, a press fit or wave spring effect is created locking female threads of the locknut to the male threads of the shaft.

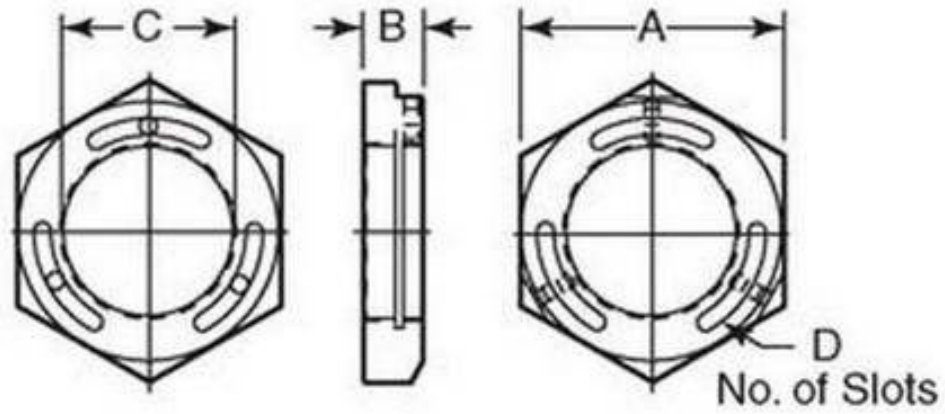
Produces a strong metal to metal lock.

Locking set screws do not protrude through the face of the threads of the locknut, eliminating damage to shaft.

# Indicates item not stocked at time of printing - Please enquire for lead time

E&OE Pricing and all details subject to change without notice - Copyright Miniature Bearings Australia Pty Ltd

MBA Size Listings are a guide to sizes only and must not be solely relied on for critical design information.



# Indicates item not stocked at time of printing - Please enquire for lead time

E&OE Pricing and all details subject to change without notice - Copyright Miniature Bearings Australia Pty Ltd

MBA Size Listings are a guide to sizes only and must not be solely relied on for critical design information.

## Nuts - Hexagonal - Locking

Part Number	Thread Size (C)	Face Width (A) mm	Style	Width (B) mm	No. Of Slots
		<i>inches</i>		<i>inches</i>	
# NT111F-HLP-CS	7/16-20 UNF (11.113mm)	23.813 <i>0.938</i>	Peripheral Lock	2.000 <i>0.079</i>	8.636
# NT127F-HLP-CS	1/2-20 UNF (12.7mm)	25.400 <i>1.000</i>	Peripheral Lock	2.000 <i>0.079</i>	9.119
# NT159F-HLP-CS	5/8-18 UNF (15.875mm)	28.575 <i>1.125</i>	Peripheral Lock	2.000 <i>0.079</i>	9.119
# NT191F-HLP-CS	3/4-16 UNF (19.05mm)	31.750 <i>1.250</i>	Peripheral Lock	3.000 <i>0.118</i>	10.719
# NT222F-HLF-CS	7/8-14 UNF (22.225mm)	36.513 <i>1.438</i>	Face Lock	3.000 <i>0.118</i>	12.294
# NT254F-HLP-CS	1-14 (25.4mm)	41.275 <i>1.625</i>	Peripheral Lock	3.000 <i>0.118</i>	13.894
# NT254F-HLF-CS	1-14 (25.4mm)	41.275 <i>1.625</i>	Face Lock	3.000 <i>0.118</i>	13.894
# NT317F-HLF-CS	1.1/4-12 UNF (31.75mm)	47.625 <i>1.875</i>	Face Lock	3.000 <i>0.118</i>	18.263
# NT381F-HLF-CS	1.1/2-12 UNF (38.10mm)	57.150 <i>2.250</i>	Face Lock	3.000 <i>0.118</i>	21.438
# NT3810F-HLP-CS	1.1/2-12 UNF (38.10mm)	57.150 <i>2.250</i>	Peripheral Lock	3.000 <i>0.118</i>	21.438

# Indicates item not stocked at time of printing - Please enquire for lead time

E&OE Pricing and all details subject to change without notice - Copyright Miniature Bearings Australia Pty Ltd

MBA Size Listings are a guide to sizes only and must not be solely relied on for critical design information.

DISTRIBUTED BY

Distributed By:

