



# Nuts - Hexagonal - Steel - Slotted

10/4/2018

# Indicates item not stocked at time of printing - Please enquire for lead time

E&OE Pricing and all details subject to change without notice - Copyright Miniature Bearings Australia Pty Ltd

MBA Size Listings are a guide to sizes only and must not be solely relied on for critical design information.

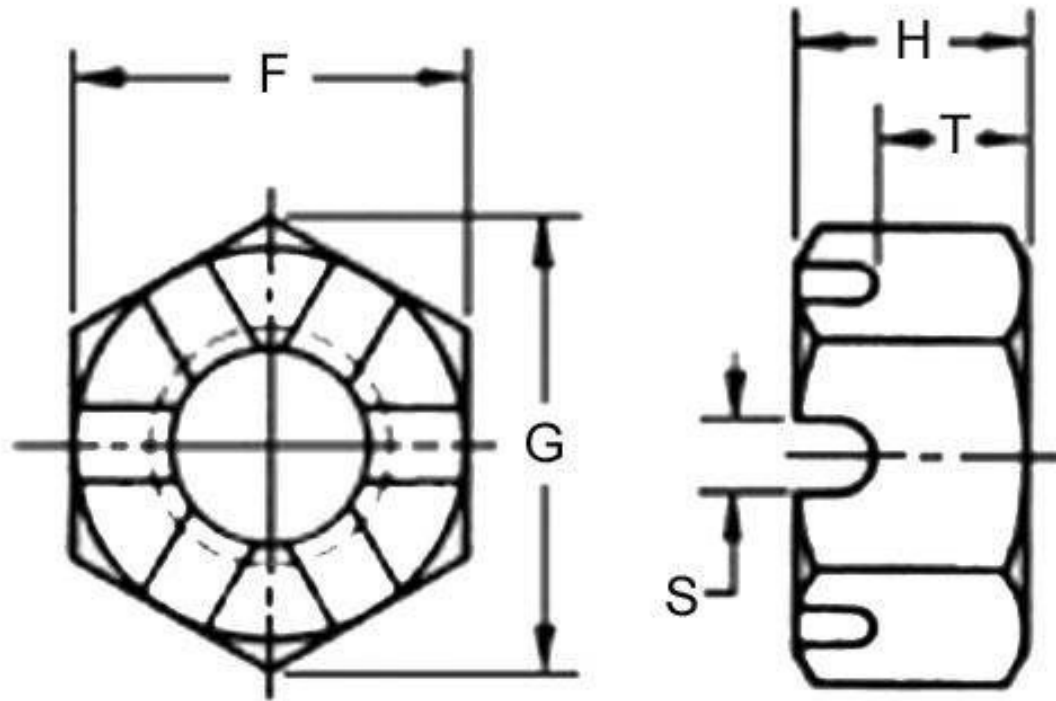
## INFORMATION

Castellated (slotted) hex nuts in UNC or UNF threads

# Indicates item not stocked at time of printing - Please enquire for lead time

E&OE Pricing and all details subject to change without notice - Copyright Miniature Bearings Australia Pty Ltd

MBA Size Listings are a guide to sizes only and must not be solely relied on for critical design information.



# Indicates item not stocked at time of printing - Please enquire for lead time

E&OE Pricing and all details subject to change without notice - Copyright Miniature Bearings Australia Pty Ltd

MBA Size Listings are a guide to sizes only and must not be solely relied on for critical design information.

## Nuts - Hexagonal - Steel - Slotted

Part Number	Thread Size	Height (H) mm	Width Across Flats (F) mm	Material	Pitch mm
		<i>inches</i>	<i>inches</i>		<i>inches</i>
# NT064C-HS-CS	1/4-20 UNC (6.35mm)	11.100 <i>0.437</i>	5.556 <i>0.219</i>		1.270 <i>0.050</i>
# NT064F-HS-CS	1/4-28 UNF (6.35mm)	11.100 <i>0.437</i>	5.556 <i>0.219</i>		0.907 <i>0.036</i>
# NT079C-HS-CS	5/16-18 UNC (7.938mm)	12.700 <i>0.500</i>	6.747 <i>0.266</i>		1.411 <i>0.056</i>
# NT079F-HS-CS	5/16-24 UNF (7.938mm)	12.700 <i>0.500</i>	6.747 <i>0.266</i>		1.058 <i>0.042</i>
# NT095C-HS-CS	3/8-16 UNC (9.525mm)	14.275 <i>0.562</i>	8.334 <i>0.328</i>		1.588 <i>0.063</i>
# NT095F-HS-CS	3/8-24 UNF (9.525mm)	14.275 <i>0.562</i>	8.334 <i>0.328</i>		1.058 <i>0.042</i>
# NT111C-HS-CS	7/16-14 UNC (11.113mm)	26.975 <i>1.062</i>	9.525 <i>0.375</i>		1.814 <i>0.071</i>
# NT111F-HS-CS	7/16-20 UNF (11.113mm)	26.975 <i>1.062</i>	9.525 <i>0.375</i>		1.270 <i>0.050</i>
# NT127C-HS-CS	1/2-13 UNC (12.7mm)	19.050 <i>0.750</i>	11.113 <i>0.438</i>		1.954 <i>0.077</i>
# NT127F-HS-CS	1/2-20 UNF (12.7mm)	19.050 <i>0.750</i>	11.113 <i>0.438</i>		1.270 <i>0.050</i>

# Indicates item not stocked at time of printing - Please enquire for lead time

E&OE Pricing and all details subject to change without notice - Copyright Miniature Bearings Australia Pty Ltd  
MBA Size Listings are a guide to sizes only and must not be solely relied on for critical design information.

## Nuts - Hexagonal - Steel - Slotted

Part Number	Thread Size	Height (H) mm	Width Across Flats (F) mm	Material	Pitch mm
		<i>inches</i>	<i>inches</i>		<i>inches</i>
# NT159C-HS-CS	5/8-11 UNC (15.875mm)	33.325 <i>1.312</i>	13.891 <i>0.547</i>		2.309 <i>0.091</i>
# NT159F-HS-CS	5/8-18 UNF (15.875mm)	33.325 <i>1.312</i>	13.891 <i>0.547</i>		1.411 <i>0.056</i>
# NT191C-HS-CS	3/4-10 UNC (19.05mm)	28.575 <i>1.125</i>	16.272 <i>0.641</i>		2.540 <i>0.100</i>
# NT191F-HS-CS	3/4-16 UNF (19.05mm)	33.325 <i>1.312</i>	19.050 <i>0.750</i>		1.588 <i>0.063</i>
# NT222C-HS-CS	7/8-9 UNC (22.225mm)	33.325 <i>1.312</i>	19.050 <i>0.750</i>		2.822 <i>0.111</i>
# NT222F-HS-CS	7/8-14 UNF (22.225mm)	28.575 <i>1.125</i>	16.272 <i>0.641</i>		1.814 <i>0.071</i>
# NT254C-HS-CS	1-8 UNC (25.4mm)	38.100 <i>1.500</i>	21.828 <i>0.859</i>		3.175 <i>0.125</i>
# NT254F-HS-CS	1-14 (25.4mm)	38.100 <i>1.500</i>	21.828 <i>0.859</i>		1.814 <i>0.071</i>

# Indicates item not stocked at time of printing - Please enquire for lead time

E&OE Pricing and all details subject to change without notice - Copyright Miniature Bearings Australia Pty Ltd

MBA Size Listings are a guide to sizes only and must not be solely relied on for critical design information.

DISTRIBUTED BY

Distributed By:

