



Nuts - Thumb - Collared - Stainless

10/4/2018

Indicates item not stocked at time of printing - Please enquire for lead time

E&OE Pricing and all details subject to change without notice - Copyright Miniature Bearings Australia Pty Ltd

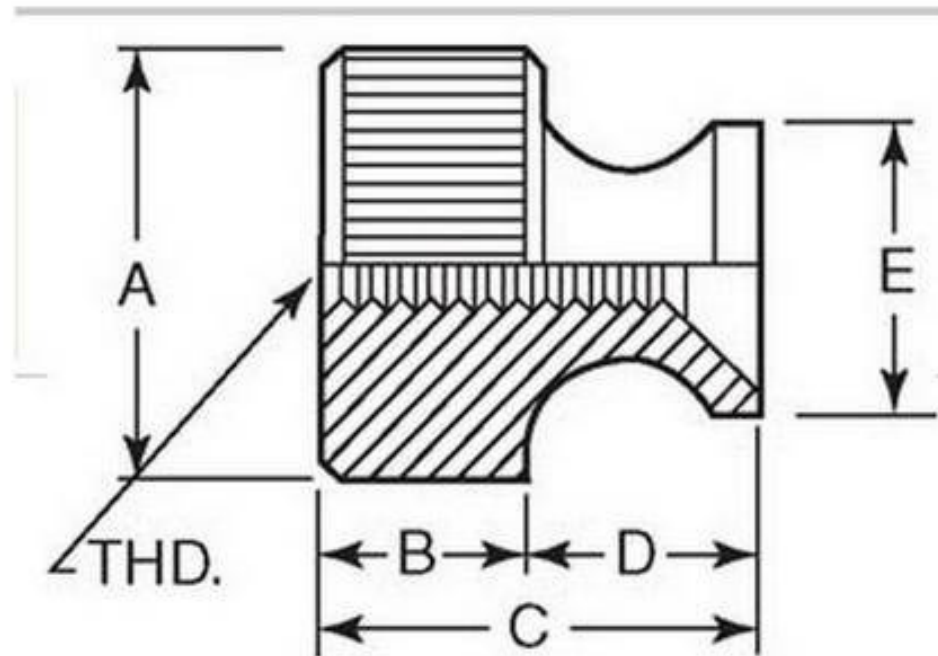
MBA Size Listings are a guide to sizes only and must not be solely relied on for critical design information.

INFORMATION

Indicates item not stocked at time of printing - Please enquire for lead time

E&OE Pricing and all details subject to change without notice - Copyright Miniature Bearings Australia Pty Ltd

MBA Size Listings are a guide to sizes only and must not be solely relied on for critical design information.



Indicates item not stocked at time of printing - Please enquire for lead time

E&OE Pricing and all details subject to change without notice - Copyright Miniature Bearings Australia Pty Ltd

MBA Size Listings are a guide to sizes only and must not be solely relied on for critical design information.

Nuts - Thumb - Collared - Stainless

Part Number	Thread Size	Pitch in mm / Threads Per Inch mm / No.	Overall Length (C) mm	Head Length (B) mm	Head Diameter (A) mm	Collar Diameter (E) mm	Collar Height (D) mm	Material
			<i>inches</i>	<i>inches</i>	<i>inches</i>	<i>inches</i>	<i>inches</i>	
# NT022C-THC-S3	2-56 UNC (2.184mm)	0.454mm / 56 TPI	6.350 <i>0.250</i>	3.175 <i>0.125</i>	6.350 <i>0.250</i>	4.763 <i>0.188</i>	3.175 <i>0.125</i>	Stainless Steel
# NT028C-THC-S3	4-40 UNC (2.845mm)	0.635mm / 40 TPI	6.350 <i>0.250</i>	3.175 <i>0.125</i>	7.938 <i>0.313</i>	6.350 <i>0.250</i>	3.175 <i>0.125</i>	Stainless Steel
# NT035C-THC-S3	6-32 UNC (3.5mm)	0.794mm / 32 TPI	7.144 <i>0.281</i>	3.175 <i>0.125</i>	9.525 <i>0.375</i>	8.731 <i>0.344</i>	3.969 <i>0.156</i>	Stainless Steel
# NT042C-THC-S3	8-32 UNC (4.166mm)	0.794mm / 32 TPI	7.144 <i>0.281</i>	3.175 <i>0.125</i>	11.113 <i>0.438</i>	9.525 <i>0.375</i>	3.969 <i>0.156</i>	Stainless Steel
# NT048C-THC-S3	10-24 UNC (4.762mm)	1.058mm / 24 TPI	8.731 <i>0.344</i>	3.969 <i>0.156</i>	12.700 <i>0.500</i>	10.319 <i>0.406</i>	4.763 <i>0.188</i>	Stainless Steel
# NT048F-THC-S3	10-32 UNF (4.762mm)	0.794mm / 32 TPI	8.731 <i>0.344</i>	3.969 <i>0.156</i>	12.700 <i>0.500</i>	10.319 <i>0.406</i>	4.763 <i>0.188</i>	Stainless Steel
# NT064C-THC-S3	1/4-20 UNC (6.35mm)	1.270mm / 20 TPI	9.525 <i>0.375</i>	3.969 <i>0.156</i>	14.288 <i>0.563</i>	11.906 <i>0.469</i>	5.556 <i>0.219</i>	Stainless Steel
# NT079C-THC-S3	5/16-18 UNC (7.938mm)	1.411mm / 18 TPI	10.319 <i>0.406</i>	4.763 <i>0.188</i>	15.875 <i>0.625</i>	13.494 <i>0.531</i>	5.556 <i>0.219</i>	Stainless Steel

Indicates item not stocked at time of printing - Please enquire for lead time

Page 4 of 5

E&OE Pricing and all details subject to change without notice - Copyright Miniature Bearings Australia Pty Ltd

MBA Size Listings are a guide to sizes only and must not be solely relied on for critical design information.

Nuts - Thumb - Collared - Stainless

Part Number	Thread Size	Pitch in mm / Threads Per Inch mm / No.	Overall Length (C) mm	Head Length (B) mm	Head Diameter (A) mm	Collar Diameter (E) mm	Collar Height (D) mm	Material
# NT095C-THC-S3	3/8-16 UNC (9.525mm)	1.588mm / 16 TPI	11.906	5.556	19.050	15.875	6.350	Stainless Steel
			<i>0.469</i>	<i>0.219</i>	<i>0.750</i>	<i>0.625</i>	<i>0.250</i>	

Indicates item not stocked at time of printing - Please enquire for lead time

E&OE Pricing and all details subject to change without notice - Copyright Miniature Bearings Australia Pty Ltd

MBA Size Listings are a guide to sizes only and must not be solely relied on for critical design information.

DISTRIBUTED BY

Distributed By:

