



O-Rings - EPDM Rubber

10/4/2018

Indicates item not stocked at time of printing - Please enquire for lead time

E&OE Pricing and all details subject to change without notice - Copyright Miniature Bearings Australia Pty Ltd

MBA Size Listings are a guide to sizes only and must not be solely relied on for critical design information.

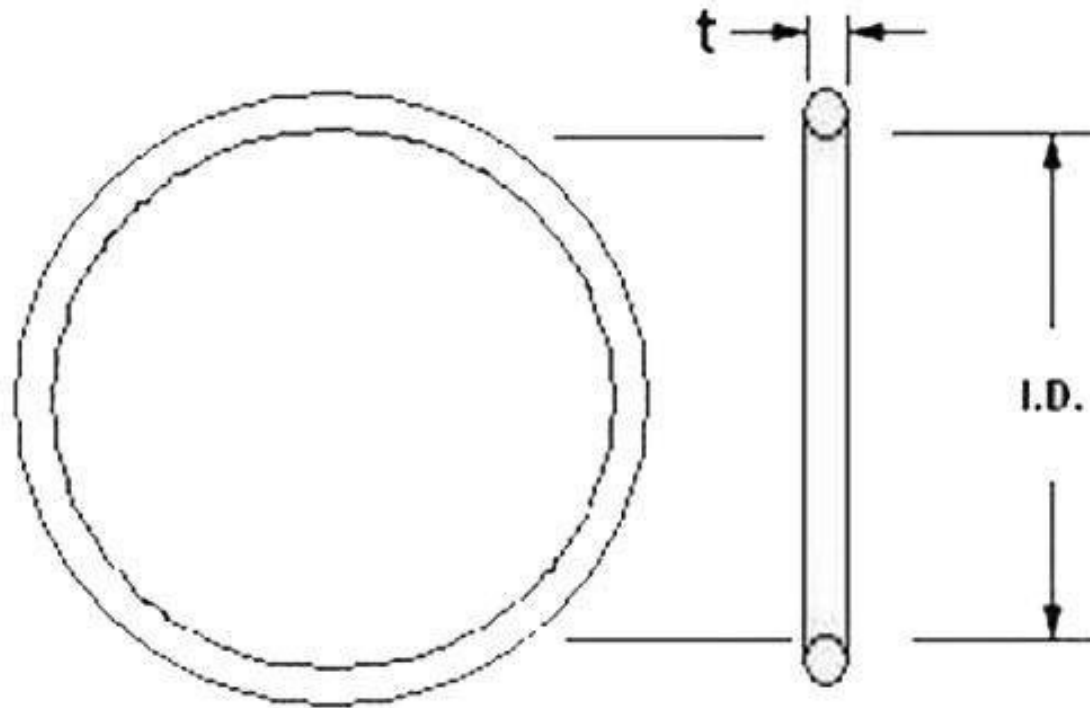
INFORMATION

Suitable for heated water and steam.

Temperature Range: -55^oC to +150^oC.

Chemically resistant to Hydraulic Fluids.

Resistant to alcohols, glycol engine coolants and SKY-DROL (phosphate ester hydraulic fluid).



Indicates item not stocked at time of printing - Please enquire for lead time

E&OE Pricing and all details subject to change without notice - Copyright Miniature Bearings Australia Pty Ltd

MBA Size Listings are a guide to sizes only and must not be solely relied on for critical design information.

O-Rings - EPDM Rubber

Part Number	Inside Diameter (I.D.) mm <i>inches</i>	Section (t) mm <i>inches</i>	Material	Hardness
OR-00074-102-EP70-001	0.74 <i>0.029</i>	1.02 <i>0.040</i>	EPDM	Duro 70
OR-00107-127-EP70-002	1.07 <i>0.042</i>	1.27 <i>0.050</i>	EPDM	Duro 70
# OR-00124-262-EP70-102	1.24 <i>0.049</i>	2.62 <i>0.103</i>	EPDM	Duro 70
# OR-00142-152-EP70-003	1.42 <i>0.056</i>	1.52 <i>0.060</i>	EPDM	Duro 70
OR-00178-178-EP70-004	1.78 <i>0.070</i>	1.78 <i>0.070</i>	EPDM	Duro 70
OR-00205-262-EP70-103	2.05 <i>0.081</i>	2.62 <i>0.103</i>	EPDM	Duro 70
# OR-00257-178-EP70-005	2.57 <i>0.101</i>	1.78 <i>0.070</i>	EPDM	Duro 70
# OR-00284-262-EP70-104	2.84 <i>0.112</i>	2.62 <i>0.103</i>	EPDM	Duro 70
OR-00290-178-EP70-006	2.90 <i>0.114</i>	1.78 <i>0.070</i>	EPDM	Duro 70
OR-00300-250-EP70	3.00 <i>0.118</i>	2.50 <i>0.098</i>	EPDM	Duro 70

Indicates item not stocked at time of printing - Please enquire for lead time

E&OE Pricing and all details subject to change without notice - Copyright Miniature Bearings Australia Pty Ltd

MBA Size Listings are a guide to sizes only and must not be solely relied on for critical design information.

O-Rings - EPDM Rubber

Part Number	Inside Diameter (I.D.) mm <i>inches</i>	Section (t) mm <i>inches</i>	Material	Hardness
OR-00363-262-EP70-105	3.63 <i>0.143</i>	2.62 <i>0.103</i>	EPDM	Duro 70
OR-00369-178-EP70-007	3.69 <i>0.145</i>	1.78 <i>0.070</i>	EPDM	Duro 70
# OR-00434-353-EP70-201	4.34 <i>0.171</i>	3.53 <i>0.139</i>	EPDM	Duro 70
# OR-00442-262-EP70-106	4.42 <i>0.174</i>	2.62 <i>0.103</i>	EPDM	Duro 70
OR-00447-178-EP70-008	4.47 <i>0.176</i>	1.78 <i>0.070</i>	EPDM	Duro 70
OR-00523-262-EP70-107	5.23 <i>0.206</i>	2.62 <i>0.103</i>	EPDM	Duro 70
OR-00528-178-EP70-009	5.28 <i>0.208</i>	1.78 <i>0.070</i>	EPDM	Duro 70
OR-00594-353-EP70-202	5.94 <i>0.234</i>	3.53 <i>0.139</i>	EPDM	Duro 70
OR-00602-262-EP70-108	6.02 <i>0.237</i>	2.62 <i>0.103</i>	EPDM	Duro 70
OR-00607-178-EP70-010	6.07 <i>0.239</i>	1.78 <i>0.070</i>	EPDM	Duro 70

Indicates item not stocked at time of printing - Please enquire for lead time

E&OE Pricing and all details subject to change without notice - Copyright Miniature Bearings Australia Pty Ltd

MBA Size Listings are a guide to sizes only and must not be solely relied on for critical design information.

O-Rings - EPDM Rubber

Part Number	Inside Diameter (I.D.) mm	Section (t) mm	Material	Hardness
	<i>inches</i>	<i>inches</i>		
OR-00630-050-EP70	6.30 <i>0.248</i>	0.50 <i>0.020</i>	EPDM	Duro 70
# OR-00700-250-EP70	7.00 <i>0.276</i>	2.50 <i>0.098</i>	EPDM	Duro 70
# OR-00752-353-EP70-203	7.52 <i>0.296</i>	3.53 <i>0.139</i>	EPDM	Duro 70
OR-00759-262-EP70-109	7.59 <i>0.299</i>	2.62 <i>0.103</i>	EPDM	Duro 70
OR-00765-178-EP70-011	7.65 <i>0.301</i>	1.78 <i>0.070</i>	EPDM	Duro 70
OR-00900-250-EP70	9.00 <i>0.354</i>	2.50 <i>0.098</i>	EPDM	Duro 70
OR-00912-353-EP70-204	9.12 <i>0.359</i>	3.53 <i>0.139</i>	EPDM	Duro 70
# OR-00919-262-EP70-110	9.19 <i>0.362</i>	2.62 <i>0.103</i>	EPDM	Duro 70
OR-00925-178-EP70-012	9.25 <i>0.364</i>	1.78 <i>0.070</i>	EPDM	Duro 70
# OR-01046-533-EP70-309	10.46 <i>0.412</i>	5.33 <i>0.210</i>	EPDM	Duro 70

Indicates item not stocked at time of printing - Please enquire for lead time

E&OE Pricing and all details subject to change without notice - Copyright Miniature Bearings Australia Pty Ltd
MBA Size Listings are a guide to sizes only and must not be solely relied on for critical design information.

O-Rings - EPDM Rubber

Part Number	Inside Diameter (I.D.) mm <i>inches</i>	Section (t) mm <i>inches</i>	Material	Hardness
# OR-01069-353-EP70-205	10.69 <i>0.421</i>	3.53 <i>0.139</i>	EPDM	Duro 70
OR-01077-262-EP70-111	10.77 <i>0.424</i>	2.62 <i>0.103</i>	EPDM	Duro 70
OR-01082-178-EP70-013	10.82 <i>0.426</i>	1.78 <i>0.070</i>	EPDM	Duro 70
# OR-01207-533-EP70-310	12.07 <i>0.475</i>	5.33 <i>0.210</i>	EPDM	Duro 70
# OR-01229-353-EP70-206	12.29 <i>0.484</i>	3.53 <i>0.139</i>	EPDM	Duro 70
# OR-01237-262-EP70-112	12.37 <i>0.487</i>	2.62 <i>0.103</i>	EPDM	Duro 70
OR-01242-178-EP70-014	12.42 <i>0.489</i>	1.78 <i>0.070</i>	EPDM	Duro 70
# OR-01364-533-EP70-311	13.64 <i>0.537</i>	5.33 <i>0.210</i>	EPDM	Duro 70
# OR-01387-353-EP70-207	13.87 <i>0.546</i>	3.53 <i>0.139</i>	EPDM	Duro 70
# OR-01395-262-EP70-113	13.95 <i>0.549</i>	2.62 <i>0.103</i>	EPDM	Duro 70

Indicates item not stocked at time of printing - Please enquire for lead time

E&OE Pricing and all details subject to change without notice - Copyright Miniature Bearings Australia Pty Ltd

MBA Size Listings are a guide to sizes only and must not be solely relied on for critical design information.

O-Rings - EPDM Rubber

Part Number	Inside Diameter (I.D.) mm <i>inches</i>	Section (t) mm <i>inches</i>	Material	Hardness
# OR-01400-178-EP70-015	14.00 <i>0.551</i>	1.78 <i>0.070</i>	EPDM	Duro 70
# OR-01400-300-EP70	14.00 <i>0.551</i>	3.00 <i>0.118</i>	EPDM	Duro 70
# OR-01524-533-EP70-312	15.24 <i>0.600</i>	5.33 <i>0.210</i>	EPDM	Duro 70
# OR-01547-353-EP70-208	15.47 <i>0.609</i>	3.53 <i>0.139</i>	EPDM	Duro 70
OR-01554-262-EP70-114	15.54 <i>0.612</i>	2.62 <i>0.103</i>	EPDM	Duro 70
OR-01560-178-EP70-016	15.60 <i>0.614</i>	1.78 <i>0.070</i>	EPDM	Duro 70
OR-01600-200-EP70	16.000 <i>0.630</i>	2.000 <i>0.079</i>	EPDM	Duro 70
# OR-01600-250-EP70	16.00 <i>0.630</i>	2.50 <i>0.098</i>	EPDM	Duro 70
# OR-01681-533-EP70-313	16.81 <i>0.662</i>	5.33 <i>0.210</i>	EPDM	Duro 70
# OR-01700-100-EP70	17.00 <i>0.669</i>	1.00 <i>0.039</i>	EPDM	Duro 70

Indicates item not stocked at time of printing - Please enquire for lead time

E&OE Pricing and all details subject to change without notice - Copyright Miniature Bearings Australia Pty Ltd
MBA Size Listings are a guide to sizes only and must not be solely relied on for critical design information.

O-Rings - EPDM Rubber

Part Number	Inside Diameter (I.D.) mm <i>inches</i>	Section (t) mm <i>inches</i>	Material	Hardness
# OR-01700-200-EP70	17.00 <i>0.669</i>	2.00 <i>0.079</i>	EPDM	Duro 70
# OR-01704-353-EP70-209	17.04 <i>0.671</i>	3.53 <i>0.139</i>	EPDM	Duro 70
# OR-01712-262-EP70-115	17.12 <i>0.674</i>	2.62 <i>0.103</i>	EPDM	Duro 70
OR-01717-178-EP70-017	17.17 <i>0.676</i>	1.78 <i>0.070</i>	EPDM	Duro 70
# OR-01842-533-EP70-314	18.42 <i>0.725</i>	5.33 <i>0.210</i>	EPDM	Duro 70
OR-01864-353-EP70-210	18.64 <i>0.734</i>	3.53 <i>0.139</i>	EPDM	Duro 70
# OR-01872-262-EP70-116	18.72 <i>0.737</i>	2.62 <i>0.103</i>	EPDM	Duro 70
# OR-01877-178-EP70-018	18.77 <i>0.739</i>	1.78 <i>0.070</i>	EPDM	Duro 70
# OR-01900-150-EP70	19.00 <i>0.748</i>	1.50 <i>0.059</i>	EPDM	Duro 70
# OR-01999-533-EP70-315	19.99 <i>0.787</i>	5.33 <i>0.210</i>	EPDM	Duro 70

Indicates item not stocked at time of printing - Please enquire for lead time

E&OE Pricing and all details subject to change without notice - Copyright Miniature Bearings Australia Pty Ltd

MBA Size Listings are a guide to sizes only and must not be solely relied on for critical design information.

O-Rings - EPDM Rubber

Part Number	Inside Diameter (I.D.) mm <i>inches</i>	Section (t) mm <i>inches</i>	Material	Hardness
OR-02022-353-EP70-211	20.22 <i>0.796</i>	3.53 <i>0.139</i>	EPDM	Duro 70
# OR-02030-262-EP70-117	20.30 <i>0.799</i>	2.62 <i>0.103</i>	EPDM	Duro 70
# OR-02035-178-EP70-019	20.35 <i>0.801</i>	1.78 <i>0.070</i>	EPDM	Duro 70
# OR-02159-533-EP70-316	21.59 <i>0.850</i>	5.33 <i>0.210</i>	EPDM	Duro 70
# OR-02182-353-EP70-212	21.82 <i>0.859</i>	3.53 <i>0.139</i>	EPDM	Duro 70
OR-02189-262-EP70-118	21.89 <i>0.862</i>	2.62 <i>0.103</i>	EPDM	Duro 70
OR-02195-178-EP70-020	21.95 <i>0.864</i>	1.78 <i>0.070</i>	EPDM	Duro 70
OR-02316-533-EP70-317	23.16 <i>0.912</i>	5.33 <i>0.210</i>	EPDM	Duro 70
# OR-02339-353-EP70-213	23.39 <i>0.921</i>	3.53 <i>0.139</i>	EPDM	Duro 70
# OR-02347-262-EP70-119	23.47 <i>0.924</i>	2.62 <i>0.103</i>	EPDM	Duro 70

Indicates item not stocked at time of printing - Please enquire for lead time

E&OE Pricing and all details subject to change without notice - Copyright Miniature Bearings Australia Pty Ltd

MBA Size Listings are a guide to sizes only and must not be solely relied on for critical design information.

O-Rings - EPDM Rubber

Part Number	Inside Diameter (I.D.) mm <i>inches</i>	Section (t) mm <i>inches</i>	Material	Hardness
# OR-02352-178-EP70-021	23.52 <i>0.926</i>	1.78 <i>0.070</i>	EPDM	Duro 70
# OR-02477-533-EP70-318	24.77 <i>0.975</i>	5.33 <i>0.210</i>	EPDM	Duro 70
# OR-02499-353-EP70-214	24.99 <i>0.984</i>	3.53 <i>0.139</i>	EPDM	Duro 70
OR-02507-262-EP70-120	25.07 <i>0.987</i>	2.62 <i>0.103</i>	EPDM	Duro 70
# OR-02512-178-EP70-022	25.12 <i>0.989</i>	1.78 <i>0.070</i>	EPDM	Duro 70
OR-02634-533-EP70-319	26.34 <i>1.037</i>	5.33 <i>0.210</i>	EPDM	Duro 70
# OR-02657-353-EP70-215	26.57 <i>1.046</i>	3.53 <i>0.139</i>	EPDM	Duro 70
# OR-02664-262-EP70-121	26.64 <i>1.049</i>	2.62 <i>0.103</i>	EPDM	Duro 70
# OR-02670-178-EP70-023	26.70 <i>1.051</i>	1.78 <i>0.070</i>	EPDM	Duro 70
OR-02794-533-EP70-320	27.94 <i>1.100</i>	5.33 <i>0.210</i>	EPDM	Duro 70

Indicates item not stocked at time of printing - Please enquire for lead time

E&OE Pricing and all details subject to change without notice - Copyright Miniature Bearings Australia Pty Ltd

MBA Size Listings are a guide to sizes only and must not be solely relied on for critical design information.

O-Rings - EPDM Rubber

Part Number	Inside Diameter (I.D.) mm <i>inches</i>	Section (t) mm <i>inches</i>	Material	Hardness
OR-02817-353-EP70-216	28.17 <i>1.109</i>	3.53 <i>0.139</i>	EPDM	Duro 70
# OR-02824-262-EP70-122	28.24 <i>1.112</i>	2.62 <i>0.103</i>	EPDM	Duro 70
# OR-02830-178-EP70-024	28.30 <i>1.114</i>	1.78 <i>0.070</i>	EPDM	Duro 70
OR-02951-533-EP70-321	29.51 <i>1.162</i>	5.33 <i>0.210</i>	EPDM	Duro 70
# OR-02975-353-EP70-217	29.75 <i>1.171</i>	3.53 <i>0.139</i>	EPDM	Duro 70
# OR-02982-262-EP70-123	29.82 <i>1.174</i>	2.62 <i>0.103</i>	EPDM	Duro 70
OR-02987-178-EP70-025	29.87 <i>1.176</i>	1.78 <i>0.070</i>	EPDM	Duro 70
OR-03112-533-EP70-322	31.12 <i>1.225</i>	5.33 <i>0.210</i>	EPDM	Duro 70
# OR-03134-353-EP70-218	31.34 <i>1.234</i>	3.53 <i>0.139</i>	EPDM	Duro 70
# OR-03142-262-EP70-124	31.42 <i>1.237</i>	2.62 <i>0.103</i>	EPDM	Duro 70

Indicates item not stocked at time of printing - Please enquire for lead time

E&OE Pricing and all details subject to change without notice - Copyright Miniature Bearings Australia Pty Ltd

MBA Size Listings are a guide to sizes only and must not be solely relied on for critical design information.

O-Rings - EPDM Rubber

Part Number	Inside Diameter (I.D.) mm <i>inches</i>	Section (t) mm <i>inches</i>	Material	Hardness
OR-03147-178-EP70-026	31.47 <i>1.239</i>	1.78 <i>0.070</i>	EPDM	Duro 70
# OR-03269-533-EP70-323	32.69 <i>1.287</i>	5.33 <i>0.210</i>	EPDM	Duro 70
# OR-03292-353-EP70-219	32.92 <i>1.296</i>	3.53 <i>0.139</i>	EPDM	Duro 70
# OR-03299-262-EP70-125	32.99 <i>1.299</i>	2.62 <i>0.103</i>	EPDM	Duro 70
OR-03305-178-EP70-027	33.05 <i>1.301</i>	1.78 <i>0.070</i>	EPDM	Duro 70
OR-03429-533-EP70-324	34.29 <i>1.350</i>	5.33 <i>0.210</i>	EPDM	Duro 70
# OR-03452-353-EP70-220	34.52 <i>1.359</i>	3.53 <i>0.139</i>	EPDM	Duro 70
# OR-03457-262-EP70-126	34.57 <i>1.361</i>	2.62 <i>0.103</i>	EPDM	Duro 70
# OR-03465-178-EP70-028	34.65 <i>1.364</i>	1.78 <i>0.070</i>	EPDM	Duro 70
OR-03600-200-EP70	36.00 <i>1.417</i>	2.00 <i>0.079</i>	EPDM	Duro 70

Indicates item not stocked at time of printing - Please enquire for lead time

E&OE Pricing and all details subject to change without notice - Copyright Miniature Bearings Australia Pty Ltd

MBA Size Listings are a guide to sizes only and must not be solely relied on for critical design information.

O-Rings - EPDM Rubber

Part Number	Inside Diameter (I.D.) mm <i>inches</i>	Section (t) mm <i>inches</i>	Material	Hardness
# OR-03609-353-EP70-221	36.09 <i>1.421</i>	3.53 <i>0.139</i>	EPDM	Duro 70
# OR-03617-262-EP70-127	36.17 <i>1.424</i>	2.62 <i>0.103</i>	EPDM	Duro 70
# OR-03747-533-EP70-325	37.47 <i>1.475</i>	5.33 <i>0.210</i>	EPDM	Duro 70
# OR-03769-353-EP70-222	37.69 <i>1.484</i>	3.53 <i>0.139</i>	EPDM	Duro 70
# OR-03777-262-EP70-128	37.77 <i>1.487</i>	2.62 <i>0.103</i>	EPDM	Duro 70
# OR-03782-178-EP70-029	37.82 <i>1.489</i>	1.78 <i>0.070</i>	EPDM	Duro 70
# OR-03800-200-EP70	36.00 <i>1.417</i>	2.00 <i>0.079</i>	EPDM	Duro 70
# OR-03934-262-EP70-129	39.34 <i>1.549</i>	2.62 <i>0.103</i>	EPDM	Duro 70
# OR-04000-200-EP70	40.000 <i>1.575</i>	2.000 <i>0.079</i>	EPDM	Duro 70
OR-04065-533-EP70-326	40.65 <i>1.600</i>	5.33 <i>0.210</i>	EPDM	Duro 70

Indicates item not stocked at time of printing - Please enquire for lead time

E&OE Pricing and all details subject to change without notice - Copyright Miniature Bearings Australia Pty Ltd
MBA Size Listings are a guide to sizes only and must not be solely relied on for critical design information.

O-Rings - EPDM Rubber

Part Number	Inside Diameter (I.D.) mm <i>inches</i>	Section (t) mm <i>inches</i>	Material	Hardness
# OR-04087-353-EP70-223	40.87 <i>1.609</i>	3.53 <i>0.139</i>	EPDM	Duro 70
# OR-04094-262-EP70-130	40.94 <i>1.612</i>	2.62 <i>0.103</i>	EPDM	Duro 70
# OR-04100-178-EP70-030	41.00 <i>1.614</i>	1.78 <i>0.070</i>	EPDM	Duro 70
OR-04252-262-EP70-131	42.52 <i>1.674</i>	2.62 <i>0.103</i>	EPDM	Duro 70
# OR-04382-533-EP70-327	43.82 <i>1.725</i>	5.33 <i>0.210</i>	EPDM	Duro 70
# OR-04404-353-EP70-224	44.04 <i>1.734</i>	3.53 <i>0.139</i>	EPDM	Duro 70
OR-04412-262-EP70-132	44.12 <i>1.737</i>	2.62 <i>0.103</i>	EPDM	Duro 70
# OR-04417-178-EP70-031	44.17 <i>1.739</i>	1.78 <i>0.070</i>	EPDM	Duro 70
# OR-04500-250-EP70	45.00 <i>1.772</i>	2.50 <i>0.098</i>	EPDM	Duro 70
# OR-04569-262-EP70-133	45.69 <i>1.799</i>	2.62 <i>0.103</i>	EPDM	Duro 70

Indicates item not stocked at time of printing - Please enquire for lead time

E&OE Pricing and all details subject to change without notice - Copyright Miniature Bearings Australia Pty Ltd
MBA Size Listings are a guide to sizes only and must not be solely relied on for critical design information.

O-Rings - EPDM Rubber

Part Number	Inside Diameter (I.D.) mm <i>inches</i>	Section (t) mm <i>inches</i>	Material	Hardness
OR-04699-533-EP70-328	46.99 <i>1.850</i>	5.33 <i>0.210</i>	EPDM	Duro 70
# OR-04722-353-EP70-225	47.22 <i>1.859</i>	3.53 <i>0.139</i>	EPDM	Duro 70
# OR-04729-262-EP70-134	47.29 <i>1.862</i>	2.62 <i>0.103</i>	EPDM	Duro 70
OR-04735-178-EP70-032	47.35 <i>1.864</i>	1.78 <i>0.070</i>	EPDM	Duro 70
# OR-04890-262-EP70-135	48.90 <i>1.925</i>	2.62 <i>0.103</i>	EPDM	Duro 70
OR-05000-250-EP70	50.00 <i>1.969</i>	2.50 <i>0.098</i>	EPDM	Duro 70
# OR-05017-533-EP70-329	50.17 <i>1.975</i>	5.33 <i>0.210</i>	EPDM	Duro 70
OR-05039-353-EP70-226	50.39 <i>1.984</i>	3.53 <i>0.139</i>	EPDM	Duro 70
# OR-05047-262-EP70-136	50.47 <i>1.987</i>	2.62 <i>0.103</i>	EPDM	Duro 70
# OR-05052-178-EP70-033	50.52 <i>1.989</i>	1.78 <i>0.070</i>	EPDM	Duro 70

Indicates item not stocked at time of printing - Please enquire for lead time

E&OE Pricing and all details subject to change without notice - Copyright Miniature Bearings Australia Pty Ltd

MBA Size Listings are a guide to sizes only and must not be solely relied on for critical design information.

O-Rings - EPDM Rubber

Part Number	Inside Diameter (I.D.) mm	Section (t) mm	Material	Hardness
	<i>inches</i>	<i>inches</i>		
# OR-05207-262-EP70-137	52.07 <i>2.050</i>	2.62 <i>0.103</i>	EPDM	Duro 70
# OR-05334-533-EP70-330	53.34 <i>2.100</i>	5.33 <i>0.210</i>	EPDM	Duro 70
# OR-05357-353-EP70-227	53.57 <i>2.109</i>	3.53 <i>0.139</i>	EPDM	Duro 70
# OR-05364-262-EP70-138	53.64 <i>2.112</i>	2.62 <i>0.103</i>	EPDM	Duro 70
# OR-05370-178-EP70-034	53.70 <i>2.114</i>	1.78 <i>0.070</i>	EPDM	Duro 70
# OR-05525-262-EP70-139	55.25 <i>2.175</i>	2.62 <i>0.103</i>	EPDM	Duro 70
# OR-05652-533-EP70-331	56.52 <i>2.225</i>	5.33 <i>0.210</i>	EPDM	Duro 70
# OR-05674-353-EP70-228	56.74 <i>2.234</i>	3.53 <i>0.139</i>	EPDM	Duro 70
# OR-05682-262-EP70-140	56.82 <i>2.237</i>	2.62 <i>0.103</i>	EPDM	Duro 70
# OR-05687-178-EP70-035	56.87 <i>2.239</i>	1.78 <i>0.070</i>	EPDM	Duro 70

Indicates item not stocked at time of printing - Please enquire for lead time

E&OE Pricing and all details subject to change without notice - Copyright Miniature Bearings Australia Pty Ltd

MBA Size Listings are a guide to sizes only and must not be solely relied on for critical design information.

O-Rings - EPDM Rubber

Part Number	Inside Diameter (I.D.) mm <i>inches</i>	Section (t) mm <i>inches</i>	Material	Hardness
# OR-05842-262-EP70-141	58.42 <i>2.300</i>	2.62 <i>0.103</i>	EPDM	Duro 70
# OR-05969-533-EP70-332	59.69 <i>2.350</i>	5.33 <i>0.210</i>	EPDM	Duro 70
# OR-05992-353-EP70-229	59.92 <i>2.359</i>	3.53 <i>0.139</i>	EPDM	Duro 70
OR-05999-262-EP70-142	59.99 <i>2.362</i>	2.62 <i>0.103</i>	EPDM	Duro 70
# OR-06005-178-EP70-036	60.05 <i>2.364</i>	1.78 <i>0.070</i>	EPDM	Duro 70
# OR-06160-262-EP70-143	61.60 <i>2.425</i>	2.62 <i>0.103</i>	EPDM	Duro 70
OR-06287-533-EP70-333	62.87 <i>2.475</i>	5.33 <i>0.210</i>	EPDM	Duro 70
# OR-06309-353-EP70-230	63.09 <i>2.484</i>	3.53 <i>0.139</i>	EPDM	Duro 70
# OR-06317-262-EP70-144	63.17 <i>2.487</i>	2.62 <i>0.103</i>	EPDM	Duro 70
# OR-06322-178-EP70-037	63.22 <i>2.489</i>	1.78 <i>0.070</i>	EPDM	Duro 70

Indicates item not stocked at time of printing - Please enquire for lead time

E&OE Pricing and all details subject to change without notice - Copyright Miniature Bearings Australia Pty Ltd

MBA Size Listings are a guide to sizes only and must not be solely relied on for critical design information.

O-Rings - EPDM Rubber

Part Number	Inside Diameter (I.D.) mm <i>inches</i>	Section (t) mm <i>inches</i>	Material	Hardness
OR-06477-262-EP70-145	64.77 <i>2.550</i>	2.62 <i>0.103</i>	EPDM	Duro 70
OR-06604-533-EP70-334	66.04 <i>2.600</i>	5.33 <i>0.210</i>	EPDM	Duro 70
# OR-06627-353-EP70-231	66.27 <i>2.609</i>	3.53 <i>0.139</i>	EPDM	Duro 70
# OR-06634-262-EP70-146	66.34 <i>2.612</i>	2.62 <i>0.103</i>	EPDM	Duro 70
# OR-06640-178-EP70-038	66.40 <i>2.614</i>	1.78 <i>0.070</i>	EPDM	Duro 70
# OR-06795-262-EP70-147	67.95 <i>2.675</i>	2.62 <i>0.103</i>	EPDM	Duro 70
# OR-06922-533-EP70-335	69.22 <i>2.725</i>	5.33 <i>0.210</i>	EPDM	Duro 70
# OR-06944-353-EP70-232	69.44 <i>2.734</i>	3.53 <i>0.139</i>	EPDM	Duro 70
# OR-06952-262-EP70-148	69.52 <i>2.737</i>	2.62 <i>0.103</i>	EPDM	Duro 70
# OR-06957-178-EP70-039	69.57 <i>2.739</i>	1.78 <i>0.070</i>	EPDM	Duro 70

Indicates item not stocked at time of printing - Please enquire for lead time

E&OE Pricing and all details subject to change without notice - Copyright Miniature Bearings Australia Pty Ltd

MBA Size Listings are a guide to sizes only and must not be solely relied on for critical design information.

O-Rings - EPDM Rubber

Part Number	Inside Diameter (I.D.) mm <i>inches</i>	Section (t) mm <i>inches</i>	Material	Hardness
# OR-07000-400-EP70	70.000 <i>2.756</i>	4.000 <i>0.157</i>	EPDM	Duro 70
# OR-07112-262-EP70-149	71.12 <i>2.800</i>	2.62 <i>0.103</i>	EPDM	Duro 70
# OR-07239-533-EP70-336	72.39 <i>2.850</i>	5.33 <i>0.210</i>	EPDM	Duro 70
# OR-07262-353-EP70-233	72.62 <i>2.859</i>	3.53 <i>0.139</i>	EPDM	Duro 70
# OR-07269-262-EP70-150	72.69 <i>2.862</i>	2.62 <i>0.103</i>	EPDM	Duro 70
# OR-07275-178-EP70-040	72.75 <i>2.864</i>	1.78 <i>0.070</i>	EPDM	Duro 70
# OR-07557-533-EP70-337	75.57 <i>2.975</i>	5.33 <i>0.210</i>	EPDM	Duro 70
OR-07579-353-EP70-234	75.79 <i>2.984</i>	3.53 <i>0.139</i>	EPDM	Duro 70
# OR-07587-262-EP70-151	75.87 <i>2.987</i>	2.62 <i>0.103</i>	EPDM	Duro 70
# OR-07592-178-EP70-041	75.92 <i>2.989</i>	1.78 <i>0.070</i>	EPDM	Duro 70

Indicates item not stocked at time of printing - Please enquire for lead time

E&OE Pricing and all details subject to change without notice - Copyright Miniature Bearings Australia Pty Ltd

MBA Size Listings are a guide to sizes only and must not be solely relied on for critical design information.

O-Rings - EPDM Rubber

Part Number	Inside Diameter (I.D.) mm <i>inches</i>	Section (t) mm <i>inches</i>	Material	Hardness
OR-07874-533-EP70-338	78.74 <i>3.100</i>	5.33 <i>0.210</i>	EPDM	Duro 70
# OR-07897-353-EP70-235	78.97 <i>3.109</i>	3.53 <i>0.139</i>	EPDM	Duro 70
# OR-08192-533-EP70-339	81.92 <i>3.225</i>	5.33 <i>0.210</i>	EPDM	Duro 70
# OR-08214-353-EP70-236	82.14 <i>3.234</i>	3.53 <i>0.139</i>	EPDM	Duro 70
OR-08222-262-EP70-152	82.22 <i>3.237</i>	2.62 <i>0.103</i>	EPDM	Duro 70
# OR-08227-178-EP70-042	82.27 <i>3.239</i>	1.78 <i>0.070</i>	EPDM	Duro 70
# OR-08509-533-EP70-340	85.09 <i>3.350</i>	5.33 <i>0.210</i>	EPDM	Duro 70
OR-08532-353-EP70-237	85.32 <i>3.359</i>	3.53 <i>0.139</i>	EPDM	Duro 70
OR-08827-533-EP70-341	88.27 <i>3.475</i>	5.33 <i>0.210</i>	EPDM	Duro 70
# OR-08849-353-EP70-238	88.49 <i>3.484</i>	3.53 <i>0.139</i>	EPDM	Duro 70

Indicates item not stocked at time of printing - Please enquire for lead time

E&OE Pricing and all details subject to change without notice - Copyright Miniature Bearings Australia Pty Ltd

MBA Size Listings are a guide to sizes only and must not be solely relied on for critical design information.

O-Rings - EPDM Rubber

Part Number	Inside Diameter (I.D.) mm <i>inches</i>	Section (t) mm <i>inches</i>	Material	Hardness
OR-08857-262-EP70-153	88.57 <i>3.487</i>	2.62 <i>0.103</i>	EPDM	Duro 70
# OR-08862-178-EP70-043	88.62 <i>3.489</i>	1.78 <i>0.070</i>	EPDM	Duro 70
# OR-09144-533-EP70-342	91.44 <i>3.600</i>	5.33 <i>0.210</i>	EPDM	Duro 70
# OR-09167-353-EP70-239	91.67 <i>3.609</i>	3.53 <i>0.139</i>	EPDM	Duro 70
# OR-09462-533-EP70-343	94.62 <i>3.725</i>	5.33 <i>0.210</i>	EPDM	Duro 70
# OR-09484-353-EP70-240	94.84 <i>3.734</i>	3.53 <i>0.139</i>	EPDM	Duro 70
OR-09492-262-EP70-154	94.92 <i>3.737</i>	2.62 <i>0.103</i>	EPDM	Duro 70
# OR-09497-178-EP70-044	94.97 <i>3.739</i>	1.78 <i>0.070</i>	EPDM	Duro 70
OR-09779-533-EP70-344	97.79 <i>3.850</i>	5.33 <i>0.210</i>	EPDM	Duro 70
OR-09802-353-EP70-241	98.02 <i>3.859</i>	3.53 <i>0.139</i>	EPDM	Duro 70

Indicates item not stocked at time of printing - Please enquire for lead time

E&OE Pricing and all details subject to change without notice - Copyright Miniature Bearings Australia Pty Ltd

MBA Size Listings are a guide to sizes only and must not be solely relied on for critical design information.

O-Rings - EPDM Rubber

Part Number	Inside Diameter (I.D.) mm <i>inches</i>	Section (t) mm <i>inches</i>	Material	Hardness
OR-10097-533-EP70-345	100.97 <i>3.975</i>	5.33 <i>0.210</i>	EPDM	Duro 70
# OR-10119-353-EP70-242	101.19 <i>3.984</i>	3.53 <i>0.139</i>	EPDM	Duro 70
# OR-10127-262-EP70-155	101.27 <i>3.987</i>	2.62 <i>0.103</i>	EPDM	Duro 70
# OR-10132-178-EP70-045	101.32 <i>3.989</i>	1.78 <i>0.070</i>	EPDM	Duro 70
# OR-10414-533-EP70-346	104.14 <i>4.100</i>	5.33 <i>0.210</i>	EPDM	Duro 70
# OR-10437-353-EP70-243	104.37 <i>4.109</i>	3.53 <i>0.139</i>	EPDM	Duro 70
# OR-10732-533-EP70-347	107.32 <i>4.225</i>	5.33 <i>0.210</i>	EPDM	Duro 70
# OR-10754-353-EP70-244	107.54 <i>4.234</i>	3.53 <i>0.139</i>	EPDM	Duro 70
# OR-10762-262-EP70-156	107.62 <i>4.237</i>	2.62 <i>0.103</i>	EPDM	Duro 70
# OR-10767-178-EP70-046	107.67 <i>4.239</i>	1.78 <i>0.070</i>	EPDM	Duro 70

Indicates item not stocked at time of printing - Please enquire for lead time

E&OE Pricing and all details subject to change without notice - Copyright Miniature Bearings Australia Pty Ltd

MBA Size Listings are a guide to sizes only and must not be solely relied on for critical design information.

O-Rings - EPDM Rubber

Part Number	Inside Diameter (I.D.) mm <i>inches</i>	Section (t) mm <i>inches</i>	Material	Hardness
# OR-11049-533-EP70-348	110.49 <i>4.350</i>	5.33 <i>0.210</i>	EPDM	Duro 70
OR-11072-353-EP70-245	110.72 <i>4.359</i>	3.53 <i>0.139</i>	EPDM	Duro 70
OR-11367-533-EP70-349	113.67 <i>4.475</i>	5.33 <i>0.210</i>	EPDM	Duro 70
# OR-11367-699-EP70-425	113.67 <i>4.475</i>	6.99 <i>0.275</i>	EPDM	Duro 70
# OR-11389-353-EP70-246	113.89 <i>4.484</i>	3.53 <i>0.139</i>	EPDM	Duro 70
# OR-11397-262-EP70-157	113.97 <i>4.487</i>	2.62 <i>0.103</i>	EPDM	Duro 70
# OR-11402-178-EP70-047	114.02 <i>4.489</i>	1.78 <i>0.070</i>	EPDM	Duro 70
# OR-11684-533-EP70-350	116.84 <i>4.600</i>	5.33 <i>0.210</i>	EPDM	Duro 70
# OR-11684-699-EP70-426	116.84 <i>4.600</i>	6.99 <i>0.275</i>	EPDM	Duro 70
# OR-11707-353-EP70-247	117.07 <i>4.609</i>	3.53 <i>0.139</i>	EPDM	Duro 70

Indicates item not stocked at time of printing - Please enquire for lead time

E&OE Pricing and all details subject to change without notice - Copyright Miniature Bearings Australia Pty Ltd

MBA Size Listings are a guide to sizes only and must not be solely relied on for critical design information.

O-Rings - EPDM Rubber

Part Number	Inside Diameter (I.D.) mm	Section (t) mm	Material	Hardness
	<i>inches</i>	<i>inches</i>		
# OR-12002-533-EP70-351	120.02 <i>4.725</i>	5.33 <i>0.210</i>	EPDM	Duro 70
# OR-12002-699-EP70-427	120.02 <i>4.725</i>	6.99 <i>0.275</i>	EPDM	Duro 70
# OR-12024-353-EP70-248	120.24 <i>4.734</i>	3.53 <i>0.139</i>	EPDM	Duro 70
# OR-12032-262-EP70-158	120.32 <i>4.737</i>	2.62 <i>0.103</i>	EPDM	Duro 70
# OR-12037-178-EP70-048	120.37 <i>4.739</i>	1.78 <i>0.070</i>	EPDM	Duro 70
# OR-12319-533-EP70-352	123.19 <i>4.850</i>	5.33 <i>0.210</i>	EPDM	Duro 70
# OR-12319-699-EP70-428	123.19 <i>4.850</i>	6.99 <i>0.275</i>	EPDM	Duro 70
# OR-12342-353-EP70-249	123.42 <i>4.859</i>	3.53 <i>0.139</i>	EPDM	Duro 70
# OR-12637-533-EP70-353	126.37 <i>4.975</i>	5.33 <i>0.210</i>	EPDM	Duro 70
# OR-12637-699-EP70-429	126.37 <i>4.975</i>	6.99 <i>0.275</i>	EPDM	Duro 70

Indicates item not stocked at time of printing - Please enquire for lead time

E&OE Pricing and all details subject to change without notice - Copyright Miniature Bearings Australia Pty Ltd

MBA Size Listings are a guide to sizes only and must not be solely relied on for critical design information.

O-Rings - EPDM Rubber

Part Number	Inside Diameter (I.D.) mm	Section (t) mm	Material	Hardness
	<i>inches</i>	<i>inches</i>		
# OR-12659-353-EP70-250	126.59 <i>4.984</i>	3.53 <i>0.139</i>	EPDM	Duro 70
# OR-12667-262-EP70-159	126.67 <i>4.987</i>	2.62 <i>0.103</i>	EPDM	Duro 70
# OR-12672-178-EP70-049	126.72 <i>4.989</i>	1.78 <i>0.070</i>	EPDM	Duro 70
# OR-12954-533-EP70-354	129.54 <i>5.100</i>	5.33 <i>0.210</i>	EPDM	Duro 70
# OR-12954-699-EP70-430	129.54 <i>5.100</i>	6.99 <i>0.275</i>	EPDM	Duro 70
# OR-12977-353-EP70-251	129.77 <i>5.109</i>	3.53 <i>0.139</i>	EPDM	Duro 70
# OR-13272-533-EP70-355	132.72 <i>5.225</i>	5.33 <i>0.210</i>	EPDM	Duro 70
# OR-13272-699-EP70-431	132.72 <i>5.225</i>	6.99 <i>0.275</i>	EPDM	Duro 70
# OR-13294-353-EP70-252	132.94 <i>5.234</i>	3.53 <i>0.139</i>	EPDM	Duro 70
# OR-13302-262-EP70-160	133.02 <i>5.237</i>	2.62 <i>0.103</i>	EPDM	Duro 70

Indicates item not stocked at time of printing - Please enquire for lead time

E&OE Pricing and all details subject to change without notice - Copyright Miniature Bearings Australia Pty Ltd

MBA Size Listings are a guide to sizes only and must not be solely relied on for critical design information.

O-Rings - EPDM Rubber

Part Number	Inside Diameter (I.D.) mm <i>inches</i>	Section (t) mm <i>inches</i>	Material	Hardness
# OR-13307-178-EP70-050	133.07 <i>5.239</i>	1.78 <i>0.070</i>	EPDM	Duro 70
# OR-13589-533-EP70-356	135.89 <i>5.350</i>	5.33 <i>0.210</i>	EPDM	Duro 70
# OR-13589-699-EP70-432	135.89 <i>5.350</i>	6.99 <i>0.275</i>	EPDM	Duro 70
# OR-13612-353-EP70-253	136.12 <i>5.359</i>	3.53 <i>0.139</i>	EPDM	Duro 70
# OR-13907-533-EP70-357	139.07 <i>5.475</i>	5.33 <i>0.210</i>	EPDM	Duro 70
# OR-13907-699-EP70-433	139.07 <i>5.475</i>	6.99 <i>0.275</i>	EPDM	Duro 70
# OR-13929-353-EP70-254	139.29 <i>5.484</i>	3.53 <i>0.139</i>	EPDM	Duro 70
# OR-13937-262-EP70-161	139.37 <i>5.487</i>	2.62 <i>0.103</i>	EPDM	Duro 70
# OR-14224-533-EP70-358	142.24 <i>5.600</i>	5.33 <i>0.210</i>	EPDM	Duro 70
# OR-14224-699-EP70-434	142.24 <i>5.600</i>	6.99 <i>0.275</i>	EPDM	Duro 70

Indicates item not stocked at time of printing - Please enquire for lead time

E&OE Pricing and all details subject to change without notice - Copyright Miniature Bearings Australia Pty Ltd

MBA Size Listings are a guide to sizes only and must not be solely relied on for critical design information.

O-Rings - EPDM Rubber

Part Number	Inside Diameter (I.D.) mm	Section (t) mm	Material	Hardness
	<i>inches</i>	<i>inches</i>		
# OR-14247-353-EP70-255	142.47 <i>5.609</i>	3.53 <i>0.139</i>	EPDM	Duro 70
# OR-14542-533-EP70-359	145.42 <i>5.725</i>	5.33 <i>0.210</i>	EPDM	Duro 70
# OR-14542-699-EP70-435	145.42 <i>5.725</i>	6.99 <i>0.275</i>	EPDM	Duro 70
# OR-14564-353-EP70-256	145.64 <i>5.734</i>	3.53 <i>0.139</i>	EPDM	Duro 70
# OR-14572-262-EP70-162	145.72 <i>5.737</i>	2.62 <i>0.103</i>	EPDM	Duro 70
# OR-14859-533-EP70-360	148.59 <i>5.850</i>	5.33 <i>0.210</i>	EPDM	Duro 70
# OR-14859-699-EP70-436	148.59 <i>5.850</i>	6.99 <i>0.275</i>	EPDM	Duro 70
# OR-14882-353-EP70-257	148.82 <i>5.859</i>	3.53 <i>0.139</i>	EPDM	Duro 70
# OR-15177-533-EP70-361	151.77 <i>5.975</i>	5.33 <i>0.210</i>	EPDM	Duro 70
# OR-15177-699-EP70-437	151.77 <i>5.975</i>	6.99 <i>0.275</i>	EPDM	Duro 70

Indicates item not stocked at time of printing - Please enquire for lead time

E&OE Pricing and all details subject to change without notice - Copyright Miniature Bearings Australia Pty Ltd

MBA Size Listings are a guide to sizes only and must not be solely relied on for critical design information.

O-Rings - EPDM Rubber

Part Number	Inside Diameter (I.D.) mm	Section (t) mm	Material	Hardness
	<i>inches</i>	<i>inches</i>		
# OR-15199-353-EP70-258	151.99 <i>5.984</i>	3.53 <i>0.139</i>	EPDM	Duro 70
# OR-15207-262-EP70-163	152.07 <i>5.987</i>	2.62 <i>0.103</i>	EPDM	Duro 70
# OR-15812-533-EP70-362	158.12 <i>6.225</i>	5.33 <i>0.210</i>	EPDM	Duro 70
# OR-15812-699-EP70-438	158.12 <i>6.225</i>	6.99 <i>0.275</i>	EPDM	Duro 70
# OR-15834-353-EP70-259	158.34 <i>6.234</i>	3.53 <i>0.139</i>	EPDM	Duro 70
# OR-15842-262-EP70-164	158.42 <i>6.237</i>	2.62 <i>0.103</i>	EPDM	Duro 70
# OR-16447-533-EP70-363	164.47 <i>6.475</i>	5.33 <i>0.210</i>	EPDM	Duro 70
# OR-16447-699-EP70-439	164.47 <i>6.475</i>	6.99 <i>0.275</i>	EPDM	Duro 70
# OR-16469-353-EP70-260	164.69 <i>6.484</i>	3.53 <i>0.139</i>	EPDM	Duro 70
# OR-16477-262-EP70-165	164.77 <i>6.487</i>	2.62 <i>0.103</i>	EPDM	Duro 70

Indicates item not stocked at time of printing - Please enquire for lead time

E&OE Pricing and all details subject to change without notice - Copyright Miniature Bearings Australia Pty Ltd
MBA Size Listings are a guide to sizes only and must not be solely relied on for critical design information.

O-Rings - EPDM Rubber

Part Number	Inside Diameter (I.D.) mm <i>inches</i>	Section (t) mm <i>inches</i>	Material	Hardness
# OR-17082-533-EP70-364	170.82 <i>6.725</i>	5.33 <i>0.210</i>	EPDM	Duro 70
# OR-17082-699-EP70-440	170.82 <i>6.725</i>	6.99 <i>0.275</i>	EPDM	Duro 70
# OR-17104-353-EP70-261	171.04 <i>6.734</i>	3.53 <i>0.139</i>	EPDM	Duro 70
# OR-17112-262-EP70-166	171.12 <i>6.737</i>	2.62 <i>0.103</i>	EPDM	Duro 70
# OR-17717-533-EP70-365	177.17 <i>6.975</i>	5.33 <i>0.210</i>	EPDM	Duro 70
# OR-17717-699-EP70-441	177.17 <i>6.975</i>	6.99 <i>0.275</i>	EPDM	Duro 70
# OR-17739-353-EP70-262	177.39 <i>6.984</i>	3.53 <i>0.139</i>	EPDM	Duro 70
# OR-17747-262-EP70-167	177.47 <i>6.987</i>	2.62 <i>0.103</i>	EPDM	Duro 70
# OR-18352-533-EP70-366	183.52 <i>7.225</i>	5.33 <i>0.210</i>	EPDM	Duro 70
# OR-18352-699-EP70-442	183.52 <i>7.225</i>	6.99 <i>0.275</i>	EPDM	Duro 70

Indicates item not stocked at time of printing - Please enquire for lead time

E&OE Pricing and all details subject to change without notice - Copyright Miniature Bearings Australia Pty Ltd
MBA Size Listings are a guide to sizes only and must not be solely relied on for critical design information.

O-Rings - EPDM Rubber

Part Number	Inside Diameter (I.D.) mm	Section (t) mm	Material	Hardness
	<i>inches</i>	<i>inches</i>		
# OR-18374-353-EP70-263	183.74 <i>7.234</i>	3.53 <i>0.139</i>	EPDM	Duro 70
# OR-18382-262-EP70-168	183.82 <i>7.237</i>	2.62 <i>0.103</i>	EPDM	Duro 70
# OR-18987-533-EP70-367	189.87 <i>7.475</i>	5.33 <i>0.210</i>	EPDM	Duro 70
# OR-18987-699-EP70-443	189.87 <i>7.475</i>	6.99 <i>0.275</i>	EPDM	Duro 70
# OR-19009-353-EP70-264	190.09 <i>7.484</i>	3.53 <i>0.139</i>	EPDM	Duro 70
# OR-19017-262-EP70-169	190.17 <i>7.487</i>	2.62 <i>0.103</i>	EPDM	Duro 70
# OR-19622-533-EP70-368	196.22 <i>7.725</i>	5.33 <i>0.210</i>	EPDM	Duro 70
OR-19622-699-EP70-444	196.22 <i>7.725</i>	6.99 <i>0.275</i>	EPDM	Duro 70
# OR-19644-353-EP70-265	196.44 <i>7.734</i>	3.53 <i>0.139</i>	EPDM	Duro 70
# OR-19652-262-EP70-170	196.52 <i>7.737</i>	2.62 <i>0.103</i>	EPDM	Duro 70

Indicates item not stocked at time of printing - Please enquire for lead time

E&OE Pricing and all details subject to change without notice - Copyright Miniature Bearings Australia Pty Ltd

MBA Size Listings are a guide to sizes only and must not be solely relied on for critical design information.

O-Rings - EPDM Rubber

Part Number	Inside Diameter (I.D.) mm <i>inches</i>	Section (t) mm <i>inches</i>	Material	Hardness
# OR-20257-533-EP70-369	202.57 <i>7.975</i>	5.33 <i>0.210</i>	EPDM	Duro 70
OR-20257-699-EP70-445	202.57 <i>7.975</i>	6.99 <i>0.275</i>	EPDM	Duro 70
# OR-20279-353-EP70-266	202.79 <i>7.984</i>	3.53 <i>0.139</i>	EPDM	Duro 70
# OR-20287-262-EP70-171	202.87 <i>7.987</i>	2.62 <i>0.103</i>	EPDM	Duro 70
# OR-20892-533-EP70-370	208.92 <i>8.225</i>	5.33 <i>0.210</i>	EPDM	Duro 70
# OR-20914-353-EP70-267	209.14 <i>8.234</i>	3.53 <i>0.139</i>	EPDM	Duro 70
# OR-20922-262-EP70-172	209.22 <i>8.237</i>	2.62 <i>0.103</i>	EPDM	Duro 70
# OR-21527-533-EP70-371	215.27 <i>8.475</i>	5.33 <i>0.210</i>	EPDM	Duro 70
# OR-21527-699-EP70-446	215.27 <i>8.475</i>	6.99 <i>0.275</i>	EPDM	Duro 70
# OR-21549-353-EP70-268	215.49 <i>8.484</i>	3.53 <i>0.139</i>	EPDM	Duro 70

Indicates item not stocked at time of printing - Please enquire for lead time

E&OE Pricing and all details subject to change without notice - Copyright Miniature Bearings Australia Pty Ltd
MBA Size Listings are a guide to sizes only and must not be solely relied on for critical design information.

O-Rings - EPDM Rubber

Part Number	Inside Diameter (I.D.) mm <i>inches</i>	Section (t) mm <i>inches</i>	Material	Hardness
# OR-21557-262-EP70-173	215.57 <i>8.487</i>	2.62 <i>0.103</i>	EPDM	Duro 70
# OR-22162-533-EP70-372	221.62 <i>8.725</i>	5.33 <i>0.210</i>	EPDM	Duro 70
# OR-22184-353-EP70-269	221.84 <i>8.734</i>	3.53 <i>0.139</i>	EPDM	Duro 70
# OR-22192-262-EP70-174	221.92 <i>8.737</i>	2.62 <i>0.103</i>	EPDM	Duro 70
# OR-22797-533-EP70-373	227.97 <i>8.975</i>	5.33 <i>0.210</i>	EPDM	Duro 70
# OR-22797-699-EP70-447	227.97 <i>8.975</i>	6.99 <i>0.275</i>	EPDM	Duro 70
# OR-22819-353-EP70-270	228.19 <i>8.984</i>	3.53 <i>0.139</i>	EPDM	Duro 70
# OR-22827-262-EP70-175	228.27 <i>8.987</i>	2.62 <i>0.103</i>	EPDM	Duro 70
# OR-23432-533-EP70-374	234.32 <i>9.225</i>	5.33 <i>0.210</i>	EPDM	Duro 70
# OR-23454-353-EP70-271	234.54 <i>9.234</i>	3.53 <i>0.139</i>	EPDM	Duro 70

Indicates item not stocked at time of printing - Please enquire for lead time

E&OE Pricing and all details subject to change without notice - Copyright Miniature Bearings Australia Pty Ltd

MBA Size Listings are a guide to sizes only and must not be solely relied on for critical design information.

O-Rings - EPDM Rubber

Part Number	Inside Diameter (I.D.) mm <i>inches</i>	Section (t) mm <i>inches</i>	Material	Hardness
# OR-23462-262-EP70-176	234.62 <i>9.237</i>	2.62 <i>0.103</i>	EPDM	Duro 70
# OR-24067-533-EP70-375	240.67 <i>9.475</i>	5.33 <i>0.210</i>	EPDM	Duro 70
# OR-24067-699-EP70-448	240.67 <i>9.475</i>	6.99 <i>0.275</i>	EPDM	Duro 70
# OR-24089-353-EP70-272	240.89 <i>9.484</i>	3.53 <i>0.139</i>	EPDM	Duro 70
# OR-24097-262-EP70-177	240.97 <i>9.487</i>	2.62 <i>0.103</i>	EPDM	Duro 70
OR-24702-533-EP70-376	247.02 <i>9.725</i>	5.33 <i>0.210</i>	EPDM	Duro 70
# OR-24726-353-EP70-273	247.26 <i>9.735</i>	3.53 <i>0.139</i>	EPDM	Duro 70
# OR-24732-262-EP70-178	247.32 <i>9.737</i>	2.62 <i>0.103</i>	EPDM	Duro 70
# OR-25337-533-EP70-377	253.37 <i>9.975</i>	5.33 <i>0.210</i>	EPDM	Duro 70
# OR-25337-699-EP70-449	253.37 <i>9.975</i>	6.99 <i>0.275</i>	EPDM	Duro 70

Indicates item not stocked at time of printing - Please enquire for lead time

E&OE Pricing and all details subject to change without notice - Copyright Miniature Bearings Australia Pty Ltd

MBA Size Listings are a guide to sizes only and must not be solely relied on for critical design information.

O-Rings - EPDM Rubber

Part Number	Inside Diameter (I.D.) mm <i>inches</i>	Section (t) mm <i>inches</i>	Material	Hardness
# OR-25359-353-EP70-274	253.59 <i>9.984</i>	3.53 <i>0.139</i>	EPDM	Duro 70
# OR-26607-533-EP70-378	266.07 <i>10.475</i>	5.33 <i>0.210</i>	EPDM	Duro 70
# OR-26607-699-EP70-450	266.07 <i>10.475</i>	6.99 <i>0.275</i>	EPDM	Duro 70
# OR-26629-353-EP70-275	266.29 <i>10.484</i>	3.53 <i>0.139</i>	EPDM	Duro 70
# OR-27877-533-EP70-379	278.77 <i>10.975</i>	5.33 <i>0.210</i>	EPDM	Duro 70
# OR-27877-699-EP70-451	278.77 <i>10.975</i>	6.99 <i>0.275</i>	EPDM	Duro 70
# OR-27899-353-EP70-276	278.99 <i>10.984</i>	3.53 <i>0.139</i>	EPDM	Duro 70
# OR-29147-533-EP70-380	291.47 <i>11.475</i>	5.33 <i>0.210</i>	EPDM	Duro 70
# OR-29147-699-EP70-452	291.47 <i>11.475</i>	6.99 <i>0.275</i>	EPDM	Duro 70
# OR-29169-353-EP70-277	291.69 <i>11.484</i>	3.53 <i>0.139</i>	EPDM	Duro 70

Indicates item not stocked at time of printing - Please enquire for lead time

E&OE Pricing and all details subject to change without notice - Copyright Miniature Bearings Australia Pty Ltd

MBA Size Listings are a guide to sizes only and must not be solely relied on for critical design information.

O-Rings - EPDM Rubber

Part Number	Inside Diameter (I.D.) mm <i>inches</i>	Section (t) mm <i>inches</i>	Material	Hardness
# OR-30417-533-EP70-381	304.17 <i>11.975</i>	5.33 <i>0.210</i>	EPDM	Duro 70
# OR-30417-699-EP70-453	304.17 <i>11.975</i>	6.99 <i>0.275</i>	EPDM	Duro 70
# OR-30439-353-EP70-278	304.39 <i>11.984</i>	3.53 <i>0.139</i>	EPDM	Duro 70
# OR-31687-699-EP70-454	316.87 <i>12.475</i>	6.99 <i>0.275</i>	EPDM	Duro 70
# OR-32957-533-EP70-382	329.57 <i>12.975</i>	5.33 <i>0.210</i>	EPDM	Duro 70
# OR-32957-699-EP70-455	329.57 <i>12.975</i>	6.99 <i>0.275</i>	EPDM	Duro 70
# OR-32979-353-EP70-279	329.79 <i>12.984</i>	3.53 <i>0.139</i>	EPDM	Duro 70
# OR-34227-699-EP70-456	342.27 <i>13.475</i>	6.99 <i>0.275</i>	EPDM	Duro 70
# OR-35497-533-EP70-383	354.97 <i>13.975</i>	5.33 <i>0.210</i>	EPDM	Duro 70
# OR-35497-699-EP70-457	354.97 <i>13.975</i>	6.99 <i>0.275</i>	EPDM	Duro 70

Indicates item not stocked at time of printing - Please enquire for lead time

E&OE Pricing and all details subject to change without notice - Copyright Miniature Bearings Australia Pty Ltd
MBA Size Listings are a guide to sizes only and must not be solely relied on for critical design information.

O-Rings - EPDM Rubber

Part Number	Inside Diameter (I.D.) mm	Section (t) mm	Material	Hardness
	<i>inches</i>	<i>inches</i>		
# OR-35519-353-EP70-280	355.19 <i>13.984</i>	3.53 <i>0.139</i>	EPDM	Duro 70
# OR-36767-699-EP70-458	367.67 <i>14.475</i>	6.99 <i>0.275</i>	EPDM	Duro 70
# OR-38037-533-EP70-384	380.37 <i>14.975</i>	5.33 <i>0.210</i>	EPDM	Duro 70
# OR-38037-699-EP70-459	380.37 <i>14.975</i>	6.99 <i>0.275</i>	EPDM	Duro 70
# OR-38059-353-EP70-281	380.59 <i>14.984</i>	3.53 <i>0.139</i>	EPDM	Duro 70
# OR-39307-699-EP70-460	393.07 <i>15.475</i>	6.99 <i>0.275</i>	EPDM	Duro 70
# OR-40526-353-EP70-282	405.26 <i>15.955</i>	3.53 <i>0.139</i>	EPDM	Duro 70
# OR-40526-533-EP70-385	405.26 <i>15.955</i>	5.33 <i>0.210</i>	EPDM	Duro 70
# OR-40526-699-EP70-461	405.26 <i>15.955</i>	6.99 <i>0.275</i>	EPDM	Duro 70
# OR-41796-699-EP70-462	417.96 <i>16.455</i>	6.99 <i>0.275</i>	EPDM	Duro 70

Indicates item not stocked at time of printing - Please enquire for lead time

E&OE Pricing and all details subject to change without notice - Copyright Miniature Bearings Australia Pty Ltd

MBA Size Listings are a guide to sizes only and must not be solely relied on for critical design information.

O-Rings - EPDM Rubber

Part Number	Inside Diameter (I.D.) mm	Section (t) mm	Material	Hardness
	<i>inches</i>	<i>inches</i>		
# OR-43066-353-EP70-283	430.66 <i>16.955</i>	3.53 <i>0.139</i>	EPDM	Duro 70
# OR-43066-533-EP70-386	430.66 <i>16.955</i>	5.33 <i>0.210</i>	EPDM	Duro 70
# OR-43066-699-EP70-463	430.66 <i>16.955</i>	6.99 <i>0.275</i>	EPDM	Duro 70
# OR-44336-699-EP70-464	443.36 <i>17.455</i>	6.99 <i>0.275</i>	EPDM	Duro 70
# OR-45606-353-EP70-284	456.06 <i>17.955</i>	3.53 <i>0.139</i>	EPDM	Duro 70
# OR-45606-533-EP70-387	456.06 <i>17.955</i>	5.33 <i>0.210</i>	EPDM	Duro 70
# OR-45606-699-EP70-465	456.06 <i>17.955</i>	6.99 <i>0.275</i>	EPDM	Duro 70
# OR-46876-699-EP70-466	468.76 <i>18.455</i>	6.99 <i>0.275</i>	EPDM	Duro 70
# OR-48141-533-EP70-388	481.41 <i>18.953</i>	5.33 <i>0.210</i>	EPDM	Duro 70
# OR-50681-533-EP70-389	506.81 <i>19.953</i>	5.33 <i>0.210</i>	EPDM	Duro 70

Indicates item not stocked at time of printing - Please enquire for lead time

E&OE Pricing and all details subject to change without notice - Copyright Miniature Bearings Australia Pty Ltd
MBA Size Listings are a guide to sizes only and must not be solely relied on for critical design information.

O-Rings - EPDM Rubber

Part Number	Inside Diameter (I.D.) mm	Section (t) mm	Material	Hardness
	<i>inches</i>	<i>inches</i>		
# OR-53221-533-EP70-390	532.21 <i>20.953</i>	5.33 <i>0.210</i>	EPDM	Duro 70
# OR-55761-533-EP70-391	557.61 <i>21.953</i>	5.33 <i>0.210</i>	EPDM	Duro 70
# OR-58268-533-EP70-392	582.68 <i>22.940</i>	5.33 <i>0.210</i>	EPDM	Duro 70
# OR-60808-533-EP70-393	608.08 <i>23.940</i>	5.33 <i>0.210</i>	EPDM	Duro 70
# OR-63348-533-EP70-394	633.48 <i>24.940</i>	5.33 <i>0.210</i>	EPDM	Duro 70
# OR-65888-533-EP70-395	658.88 <i>25.940</i>	5.33 <i>0.210</i>	EPDM	Duro 70

Indicates item not stocked at time of printing - Please enquire for lead time

E&OE Pricing and all details subject to change without notice - Copyright Miniature Bearings Australia Pty Ltd
MBA Size Listings are a guide to sizes only and must not be solely relied on for critical design information.

DISTRIBUTED BY

Distributed By:

