



O-Rings - Fluoroelastomer

10/4/2018

Indicates item not stocked at time of printing - Please enquire for lead time

E&OE Pricing and all details subject to change without notice - Copyright Miniature Bearings Australia Pty Ltd

MBA Size Listings are a guide to sizes only and must not be solely relied on for critical design information.

INFORMATION

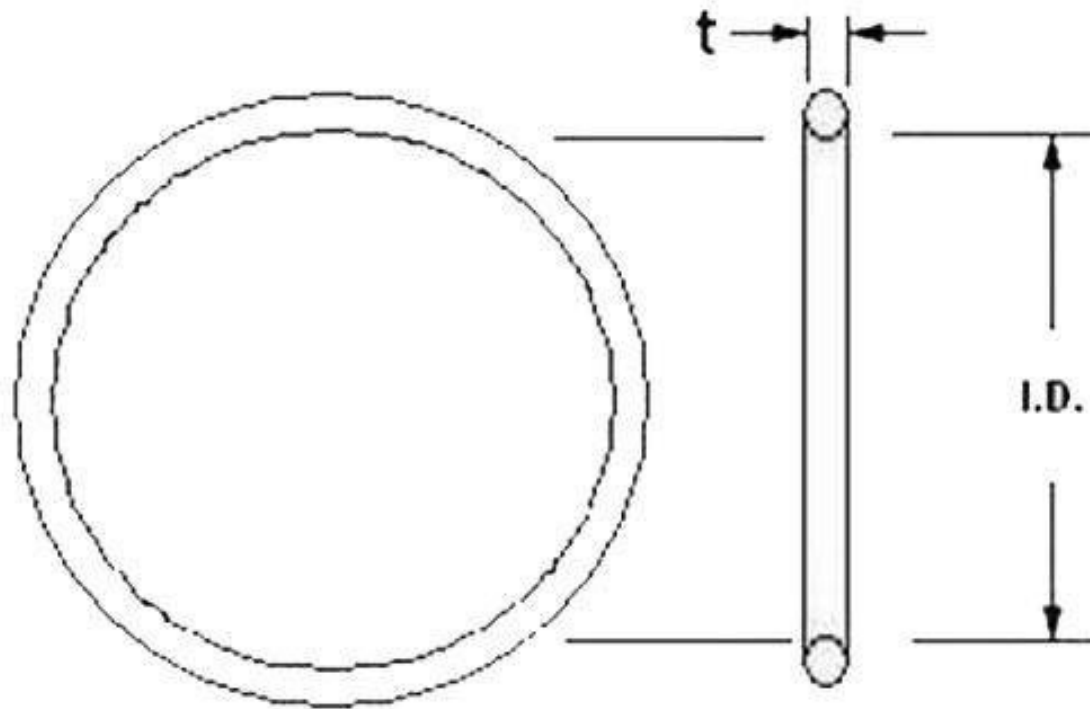
Viton^(R) A for high temperature and chemical resistance.

Temperature Range: -20^oC to +200^oC.

Suitable for synthetic and hydraulic fluids, strong acids, steam, many chemicals and many alkalis.

Viton^(R) A

Viton is usually supplied brown, but black may be substituted when brown is unavailable.



Indicates item not stocked at time of printing - Please enquire for lead time

E&OE Pricing and all details subject to change without notice - Copyright Miniature Bearings Australia Pty Ltd

MBA Size Listings are a guide to sizes only and must not be solely relied on for critical design information.

O-Rings - Fluoroelastomer

Part Number	Inside Diameter (I.D.) mm	Section (t) mm	Material	Hardness	Notes
	<i>inches</i>	<i>inches</i>			
OR-00074-102-VBR75-001	0.74 <i>0.029</i>	1.02 <i>0.040</i>	Brown Fluoroelastomer	Duro 75	Black may be substituted when brown not available
# OR-00074-102-VBR90-001	0.74 <i>0.029</i>	1.02 <i>0.040</i>	Brown Fluoroelastomer	Duro 90	Black may be substituted when brown not available
OR-00107-127-VBR75-002	1.07 <i>0.042</i>	1.27 <i>0.050</i>	Brown Fluoroelastomer	Duro 75	Black may be substituted when brown not available
# OR-00107-127-VBR90-002	1.07 <i>0.042</i>	1.27 <i>0.050</i>	Brown Fluoroelastomer	Duro 90	Black may be substituted when brown not available
# OR-00124-262-VBR90-102	1.24 <i>0.049</i>	2.62 <i>0.103</i>	Brown Fluoroelastomer	Duro 90	Black may be substituted when brown not available
# OR-00124-262-VBR75-102	1.24 <i>0.049</i>	2.62 <i>0.103</i>	Brown Fluoroelastomer	Duro 75	Black may be substituted when brown not available
OR-00142-152-VBR90-003	1.42 <i>0.056</i>	1.52 <i>0.060</i>	Brown Fluoroelastomer	Duro 90	Black may be substituted when brown not available
OR-00142-152-VBR75-003	1.42 <i>0.056</i>	1.52 <i>0.060</i>	Brown Fluoroelastomer	Duro 75	Black may be substituted when brown not available

Indicates item not stocked at time of printing - Please enquire for lead time

Page 4 of 194

E&OE Pricing and all details subject to change without notice - Copyright Miniature Bearings Australia Pty Ltd
MBA Size Listings are a guide to sizes only and must not be solely relied on for critical design information.

O-Rings - Fluoroelastomer

Part Number	Inside Diameter (I.D.) mm <i>inches</i>	Section (t) mm <i>inches</i>	Material	Hardness	Notes
# OR-00150-050-VBR75	1.50 <i>0.059</i>	0.50 <i>0.020</i>	Brown Fluoroelastomer	Duro 75	Black may be substituted when brown not available
# OR-00178-178-VBR90-004	1.78 <i>0.070</i>	1.78 <i>0.070</i>	Brown Fluoroelastomer	Duro 90	Black may be substituted when brown not available
OR-00200-100-VBR75	2.00 <i>0.079</i>	1.00 <i>0.039</i>	Brown Fluoroelastomer	Duro 75	Black may be substituted when brown not available
OR-00200-150-VBR75	2.00 <i>0.079</i>	1.50 <i>0.059</i>	Brown Fluoroelastomer	Duro 75	Black may be substituted when brown not available
# OR-00205-262-VBR90-103	2.05 <i>0.081</i>	2.62 <i>0.103</i>	Brown Fluoroelastomer	Duro 90	Black may be substituted when brown not available
# OR-00205-262-VBR75-103	2.05 <i>0.081</i>	2.62 <i>0.103</i>	Brown Fluoroelastomer	Duro 75	Black may be substituted when brown not available
OR-00257-178-VBR75-005	2.57 <i>0.101</i>	1.78 <i>0.070</i>	Brown Fluoroelastomer	Duro 75	Black may be substituted when brown not available
OR-00257-178-VBR90-005	2.57 <i>0.101</i>	1.78 <i>0.070</i>	Brown Fluoroelastomer	Duro 90	Black may be substituted when brown not available

Indicates item not stocked at time of printing - Please enquire for lead time

Page 5 of 194

E&OE Pricing and all details subject to change without notice - Copyright Miniature Bearings Australia Pty Ltd
MBA Size Listings are a guide to sizes only and must not be solely relied on for critical design information.

O-Rings - Fluoroelastomer

Part Number	Inside Diameter (I.D.) mm <i>inches</i>	Section (t) mm <i>inches</i>	Material	Hardness	Notes
# OR-00284-262-VBR75-104	2.84 <i>0.112</i>	2.62 <i>0.103</i>	Brown Fluoroelastomer	Duro 75	Black may be substituted when brown not available
# OR-00284-262-VBR90-104	2.84 <i>0.112</i>	2.62 <i>0.103</i>	Brown Fluoroelastomer	Duro 90	Black may be substituted when brown not available
# OR-00290-178-VBR90-006	2.90 <i>0.114</i>	1.78 <i>0.070</i>	Brown Fluoroelastomer	Duro 90	Black may be substituted when brown not available
OR-00290-178-VBR75-006	2.90 <i>0.114</i>	1.78 <i>0.070</i>	Brown Fluoroelastomer	Duro 75	Black may be substituted when brown not available
OR-00300-100-VBR75	3.00 <i>0.118</i>	1.00 <i>0.039</i>	Brown Fluoroelastomer	Duro 75	Black may be substituted when brown not available
OR-00300-150-VBR75	3.00 <i>0.118</i>	1.50 <i>0.059</i>	Brown Fluoroelastomer	Duro 75	Black may be substituted when brown not available
OR-00350-150-VBR75	3.50 <i>0.138</i>	1.50 <i>0.059</i>	Brown Fluoroelastomer	Duro 75	
# OR-00363-262-VBR90-105	3.63 <i>0.143</i>	2.62 <i>0.103</i>	Brown Fluoroelastomer	Duro 90	Black may be substituted when brown not available

Indicates item not stocked at time of printing - Please enquire for lead time

Page 6 of 194

E&OE Pricing and all details subject to change without notice - Copyright Miniature Bearings Australia Pty Ltd
MBA Size Listings are a guide to sizes only and must not be solely relied on for critical design information.

O-Rings - Fluoroelastomer

Part Number	Inside Diameter (I.D.) mm <i>inches</i>	Section (t) mm <i>inches</i>	Material	Hardness	Notes
# OR-00363-262-VBR75-105	3.63 <i>0.143</i>	2.62 <i>0.103</i>	Brown Fluoroelastomer	Duro 75	Black may be substituted when brown not available
# OR-00369-178-VBR90-007	3.69 <i>0.145</i>	1.78 <i>0.070</i>	Brown Fluoroelastomer	Duro 90	Black may be substituted when brown not available
OR-00369-178-VBR75-007	3.69 <i>0.145</i>	1.78 <i>0.070</i>	Brown Fluoroelastomer	Duro 75	Black may be substituted when brown not available
OR-00369-178-VBL75-007	3.69 <i>0.145</i>	1.78 <i>0.070</i>	Black Fluoroelastomer	Duro 75	Black may be substituted when brown not available
OR-00400-100-VBR75	4.00 <i>0.157</i>	1.00 <i>0.039</i>	Brown Fluoroelastomer	Duro 75	Black may be substituted when brown not available
# OR-00400-150-VBR75	4.00 <i>0.157</i>	1.50 <i>0.059</i>	Brown Fluoroelastomer	Duro 75	Black may be substituted when brown not available
# OR-00400-200-VBR75	4.00 <i>0.157</i>	2.00 <i>0.079</i>	Brown Fluoroelastomer	Duro 75	Black may be substituted when brown not available
# OR-00434-353-VBR75-201	4.34 <i>0.171</i>	3.53 <i>0.139</i>	Brown Fluoroelastomer	Duro 75	Black may be substituted when brown not available

Indicates item not stocked at time of printing - Please enquire for lead time

Page 7 of 194

E&OE Pricing and all details subject to change without notice - Copyright Miniature Bearings Australia Pty Ltd
MBA Size Listings are a guide to sizes only and must not be solely relied on for critical design information.

O-Rings - Fluoroelastomer

Part Number	Inside Diameter (I.D.) mm	Section (t) mm	Material	Hardness	Notes
	<i>inches</i>	<i>inches</i>			
# OR-00434-353-VBR90-201	4.34 <i>0.171</i>	3.53 <i>0.139</i>	Brown Fluoroelastomer	Duro 90	Black may be substituted when brown not available
OR-00442-262-VBR75-106	4.42 <i>0.174</i>	2.62 <i>0.103</i>	Brown Fluoroelastomer	Duro 75	Black may be substituted when brown not available
# OR-00442-262-VBR90-106	4.42 <i>0.174</i>	2.62 <i>0.103</i>	Brown Fluoroelastomer	Duro 90	Black may be substituted when brown not available
OR-00447-178-VBR75-008	4.47 <i>0.176</i>	1.78 <i>0.070</i>	Brown Fluoroelastomer	Duro 75	Black may be substituted when brown not available
# OR-00447-178-VBR90-008	4.47 <i>0.176</i>	1.78 <i>0.070</i>	Brown Fluoroelastomer	Duro 90	Black may be substituted when brown not available
# OR-00450-080-VBR75	4.50 <i>0.177</i>	0.80 <i>0.031</i>	Brown Fluoroelastomer	Duro 75	Black may be substituted when brown not available
OR-00470-142-VBR90-901	4.70 <i>0.185</i>	1.42 <i>0.056</i>	Brown Fluoroelastomer	Duro 90	Black may be substituted when brown not available
# OR-00470-142-VBR75-901	4.70 <i>0.185</i>	1.42 <i>0.056</i>	Brown Fluoroelastomer	Duro 75	Black may be substituted when brown not available

Indicates item not stocked at time of printing - Please enquire for lead time

E&OE Pricing and all details subject to change without notice - Copyright Miniature Bearings Australia Pty Ltd

MBA Size Listings are a guide to sizes only and must not be solely relied on for critical design information.

O-Rings - Fluoroelastomer

Part Number	Inside Diameter (I.D.) mm	Section (t) mm	Material	Hardness	Notes
	<i>inches</i>	<i>inches</i>			
OR-00500-100-VBR75	5.00 <i>0.197</i>	1.00 <i>0.039</i>	Brown Fluoroelastomer	Duro 75	Black may be substituted when brown not available
OR-00500-150-VBR75	5.00 <i>0.197</i>	1.50 <i>0.059</i>	Brown Fluoroelastomer	Duro 75	Black may be substituted when brown not available
OR-00500-200-VBR75	5.00 <i>0.197</i>	2.00 <i>0.079</i>	Brown Fluoroelastomer	Duro 75	Black may be substituted when brown not available
# OR-00500-250-VBR75	5.00 <i>0.197</i>	2.50 <i>0.098</i>	Brown Fluoroelastomer	Duro 75	Black may be substituted when brown not available
# OR-00500-300-VBR75	5.00 <i>0.197</i>	3.00 <i>0.118</i>	Brown Fluoroelastomer	Duro 75	Black may be substituted when brown not available
# OR-00523-262-VBR90-107	5.23 <i>0.206</i>	2.62 <i>0.103</i>	Brown Fluoroelastomer	Duro 90	Black may be substituted when brown not available
# OR-00523-262-VBR75-107	5.23 <i>0.206</i>	2.62 <i>0.103</i>	Brown Fluoroelastomer	Duro 75	Black may be substituted when brown not available
OR-00528-178-VBR90-009	5.28 <i>0.208</i>	1.78 <i>0.070</i>	Brown Fluoroelastomer	Duro 90	Black may be substituted when brown not available

Indicates item not stocked at time of printing - Please enquire for lead time

Page 9 of 194

E&OE Pricing and all details subject to change without notice - Copyright Miniature Bearings Australia Pty Ltd
MBA Size Listings are a guide to sizes only and must not be solely relied on for critical design information.

O-Rings - Fluoroelastomer

Part Number	Inside Diameter (I.D.) mm <i>inches</i>	Section (t) mm <i>inches</i>	Material	Hardness	Notes
OR-00528-178-VBR75-009	5.28 <i>0.208</i>	1.78 <i>0.070</i>	Brown Fluoroelastomer	Duro 75	Black may be substituted when brown not available
# OR-00594-353-VBR90-202	5.94 <i>0.234</i>	3.53 <i>0.139</i>	Brown Fluoroelastomer	Duro 90	Black may be substituted when brown not available
# OR-00594-353-VBR75-202	5.94 <i>0.234</i>	3.53 <i>0.139</i>	Brown Fluoroelastomer	Duro 75	Black may be substituted when brown not available
# OR-00600-080-VBR75	6.00 <i>0.236</i>	0.80 <i>0.031</i>	Brown Fluoroelastomer	Duro 75	Black may be substituted when brown not available
OR-00600-100-VBR75	6.00 <i>0.236</i>	1.00 <i>0.039</i>	Brown Fluoroelastomer	Duro 75	Black may be substituted when brown not available
OR-00600-150-VBR75	6.00 <i>0.236</i>	1.50 <i>0.059</i>	Brown Fluoroelastomer	Duro 75	Black may be substituted when brown not available
OR-00600-200-VBR75	6.00 <i>0.236</i>	2.00 <i>0.079</i>	Brown Fluoroelastomer	Duro 75	Black may be substituted when brown not available
# OR-00600-300-VBR75	6.00 <i>0.236</i>	3.00 <i>0.118</i>	Brown Fluoroelastomer	Duro 75	Black may be substituted when brown not available

Indicates item not stocked at time of printing - Please enquire for lead time

Page 10 of 194

E&OE Pricing and all details subject to change without notice - Copyright Miniature Bearings Australia Pty Ltd
MBA Size Listings are a guide to sizes only and must not be solely relied on for critical design information.

O-Rings - Fluoroelastomer

Part Number	Inside Diameter (I.D.) mm <i>inches</i>	Section (t) mm <i>inches</i>	Material	Hardness	Notes
OR-00602-262-VBR75-108	6.02 <i>0.237</i>	2.62 <i>0.103</i>	Brown Fluoroelastomer	Duro 75	Black may be substituted when brown not available
# OR-00602-262-VBR90-108	6.02 <i>0.237</i>	2.62 <i>0.103</i>	Brown Fluoroelastomer	Duro 90	Black may be substituted when brown not available
OR-00607-163-VBR75-902	6.07 <i>0.239</i>	1.63 <i>0.064</i>	Brown Fluoroelastomer	Duro 75	Black may be substituted when brown not available
OR-00607-163-VBR90-902	6.07 <i>0.239</i>	1.63 <i>0.064</i>	Brown Fluoroelastomer	Duro 90	Black may be substituted when brown not available
OR-00607-178-VBR90-010	6.07 <i>0.239</i>	1.78 <i>0.070</i>	Brown Fluoroelastomer	Duro 90	Black may be substituted when brown not available
OR-00607-178-VBR75-010	6.07 <i>0.239</i>	1.78 <i>0.070</i>	Brown Fluoroelastomer	Duro 75	Black may be substituted when brown not available
# OR-00640-080-VBR75	6.40 <i>0.252</i>	0.80 <i>0.031</i>	Brown Fluoroelastomer	Duro 75	Black may be substituted when brown not available
# OR-00650-100-VBR75	6.50 <i>0.256</i>	1.00 <i>0.039</i>	Brown Fluoroelastomer	Duro 75	Black may be substituted when brown not available

Indicates item not stocked at time of printing - Please enquire for lead time

Page 11 of 194

E&OE Pricing and all details subject to change without notice - Copyright Miniature Bearings Australia Pty Ltd
MBA Size Listings are a guide to sizes only and must not be solely relied on for critical design information.

O-Rings - Fluoroelastomer

Part Number	Inside Diameter (I.D.) mm <i>inches</i>	Section (t) mm <i>inches</i>	Material	Hardness	Notes
OR-00700-100-VBR75	7.00 <i>0.276</i>	1.00 <i>0.039</i>	Brown Fluoroelastomer	Duro 75	Black may be substituted when brown not available
# OR-00700-150-VBR75	7.00 <i>0.276</i>	1.50 <i>0.059</i>	Brown Fluoroelastomer	Duro 75	Black may be substituted when brown not available
OR-00700-200-VBR75	7.00 <i>0.276</i>	2.00 <i>0.079</i>	Brown Fluoroelastomer	Duro 75	Black may be substituted when brown not available
# OR-00700-250-VBR75	7.00 <i>0.276</i>	2.50 <i>0.098</i>	Brown Fluoroelastomer	Duro 75	Black may be substituted when brown not available
# OR-00700-300-VBR75	7.00 <i>0.276</i>	3.00 <i>0.118</i>	Brown Fluoroelastomer	Duro 75	Black may be substituted when brown not available
# OR-00740-080-VBR75	7.40 <i>0.291</i>	0.80 <i>0.031</i>	Brown Fluoroelastomer	Duro 75	Black may be substituted when brown not available
# OR-00752-353-VBR90-203	7.52 <i>0.296</i>	3.53 <i>0.139</i>	Brown Fluoroelastomer	Duro 90	Black may be substituted when brown not available
# OR-00752-353-VBR75-203	7.52 <i>0.296</i>	3.53 <i>0.139</i>	Brown Fluoroelastomer	Duro 75	Black may be substituted when brown not available

Indicates item not stocked at time of printing - Please enquire for lead time

Page 12 of 194

E&OE Pricing and all details subject to change without notice - Copyright Miniature Bearings Australia Pty Ltd
MBA Size Listings are a guide to sizes only and must not be solely relied on for critical design information.

O-Rings - Fluoroelastomer

Part Number	Inside Diameter (I.D.) mm <i>inches</i>	Section (t) mm <i>inches</i>	Material	Hardness	Notes
# OR-00759-262-VBR75-109	7.59 <i>0.299</i>	2.62 <i>0.103</i>	Brown Fluoroelastomer	Duro 75	Black may be substituted when brown not available
# OR-00759-262-VBR90-109	7.59 <i>0.299</i>	2.62 <i>0.103</i>	Brown Fluoroelastomer	Duro 90	Black may be substituted when brown not available
# OR-00765-163-VBR75-903	7.65 <i>0.301</i>	1.63 <i>0.064</i>	Brown Fluoroelastomer	Duro 75	Black may be substituted when brown not available
# OR-00765-163-VBR90-903	7.65 <i>0.301</i>	1.63 <i>0.064</i>	Brown Fluoroelastomer	Duro 90	Black may be substituted when brown not available
# OR-00765-178-VBR90-011	7.65 <i>0.301</i>	1.78 <i>0.070</i>	Brown Fluoroelastomer	Duro 90	Black may be substituted when brown not available
OR-00765-178-VBR75-011	7.65 <i>0.301</i>	1.78 <i>0.070</i>	Brown Fluoroelastomer	Duro 75	Black may be substituted when brown not available
# OR-00800-100-VBR75	8.00 <i>0.315</i>	1.00 <i>0.039</i>	Brown Fluoroelastomer	Duro 75	Black may be substituted when brown not available
# OR-00800-150-VBR75	8.00 <i>0.315</i>	1.50 <i>0.059</i>	Brown Fluoroelastomer	Duro 75	Black may be substituted when brown not available

Indicates item not stocked at time of printing - Please enquire for lead time

Page 13 of 194

E&OE Pricing and all details subject to change without notice - Copyright Miniature Bearings Australia Pty Ltd

MBA Size Listings are a guide to sizes only and must not be solely relied on for critical design information.

O-Rings - Fluoroelastomer

Part Number	Inside Diameter (I.D.) mm	Section (t) mm	Material	Hardness	Notes
	<i>inches</i>	<i>inches</i>			
OR-00800-200-VBR75	8.00 <i>0.315</i>	2.00 <i>0.079</i>	Brown Fluoroelastomer	Duro 75	Black may be substituted when brown not available
# OR-00800-250-VBR75	8.00 <i>0.315</i>	2.50 <i>0.098</i>	Brown Fluoroelastomer	Duro 75	Black may be substituted when brown not available
# OR-00800-300-VBR75	8.00 <i>0.315</i>	3.00 <i>0.118</i>	Brown Fluoroelastomer	Duro 75	Black may be substituted when brown not available
# OR-00800-350-VBR75	8.00 <i>0.315</i>	3.50 <i>0.138</i>	Brown Fluoroelastomer	Duro 75	Black may be substituted when brown not available
# OR-00892-183-VBR90-904	8.92 <i>0.351</i>	1.83 <i>0.072</i>	Brown Fluoroelastomer	Duro 90	Black may be substituted when brown not available
# OR-00892-183-VBR75-904	8.92 <i>0.351</i>	1.83 <i>0.072</i>	Brown Fluoroelastomer	Duro 75	Black may be substituted when brown not available
# OR-00900-100-VBR75	9.00 <i>0.354</i>	1.00 <i>0.039</i>	Brown Fluoroelastomer	Duro 75	Black may be substituted when brown not available
# OR-00900-150-VBR75	9.00 <i>0.354</i>	1.50 <i>0.059</i>	Brown Fluoroelastomer	Duro 75	Black may be substituted when brown not available

Indicates item not stocked at time of printing - Please enquire for lead time

Page 14 of 194

E&OE Pricing and all details subject to change without notice - Copyright Miniature Bearings Australia Pty Ltd
MBA Size Listings are a guide to sizes only and must not be solely relied on for critical design information.

O-Rings - Fluoroelastomer

Part Number	Inside Diameter (I.D.) mm <i>inches</i>	Section (t) mm <i>inches</i>	Material	Hardness	Notes
# OR-00900-200-VBR75	9.00 <i>0.354</i>	2.00 <i>0.079</i>	Brown Fluoroelastomer	Duro 75	Black may be substituted when brown not available
# OR-00900-250-VBR75	9.00 <i>0.354</i>	2.50 <i>0.098</i>	Brown Fluoroelastomer	Duro 75	Black may be substituted when brown not available
# OR-00900-300-VBR75	9.00 <i>0.354</i>	3.00 <i>0.118</i>	Brown Fluoroelastomer	Duro 75	Black may be substituted when brown not available
# OR-00900-400-VBR75	9.00 <i>0.354</i>	4.00 <i>0.157</i>	Brown Fluoroelastomer	Duro 75	Black may be substituted when brown not available
# OR-00912-353-VBR90-204	9.12 <i>0.359</i>	3.53 <i>0.139</i>	Brown Fluoroelastomer	Duro 90	Black may be substituted when brown not available
OR-00912-353-VBR75-204	9.12 <i>0.359</i>	3.53 <i>0.139</i>	Brown Fluoroelastomer	Duro 75	Black may be substituted when brown not available
# OR-00919-262-VBR90-110	9.19 <i>0.362</i>	2.62 <i>0.103</i>	Brown Fluoroelastomer	Duro 90	Black may be substituted when brown not available
OR-00919-262-VBR75-110	9.19 <i>0.362</i>	2.62 <i>0.103</i>	Brown Fluoroelastomer	Duro 75	Black may be substituted when brown not available

Indicates item not stocked at time of printing - Please enquire for lead time

Page 15 of 194

E&OE Pricing and all details subject to change without notice - Copyright Miniature Bearings Australia Pty Ltd
MBA Size Listings are a guide to sizes only and must not be solely relied on for critical design information.

O-Rings - Fluoroelastomer

Part Number	Inside Diameter (I.D.) mm <i>inches</i>	Section (t) mm <i>inches</i>	Material	Hardness	Notes
OR-00925-178-VBR75-012	9.25 <i>0.364</i>	1.78 <i>0.070</i>	Brown Fluoroelastomer	Duro 75	Black may be substituted when brown not available
# OR-00925-178-VBR90-012	9.25 <i>0.364</i>	1.78 <i>0.070</i>	Brown Fluoroelastomer	Duro 90	Black may be substituted when brown not available
# OR-01000-100-VBR75	10.00 <i>0.394</i>	1.00 <i>0.039</i>	Brown Fluoroelastomer	Duro 75	Black may be substituted when brown not available
OR-01000-150-VBR75	10.00 <i>0.394</i>	1.50 <i>0.059</i>	Brown Fluoroelastomer	Duro 75	Black may be substituted when brown not available
OR-01000-200-VBR75	10.00 <i>0.394</i>	2.00 <i>0.079</i>	Brown Fluoroelastomer	Duro 75	Black may be substituted when brown not available
# OR-01000-250-VBR75	10.00 <i>0.394</i>	2.50 <i>0.098</i>	Brown Fluoroelastomer	Duro 75	Black may be substituted when brown not available
# OR-01000-350-VBR75	10.00 <i>0.394</i>	3.50 <i>0.138</i>	Brown Fluoroelastomer	Duro 75	Black may be substituted when brown not available
# OR-01000-400-VBR75	10.00 <i>0.394</i>	4.00 <i>0.157</i>	Brown Fluoroelastomer	Duro 75	Black may be substituted when brown not available

Indicates item not stocked at time of printing - Please enquire for lead time

Page 16 of 194

E&OE Pricing and all details subject to change without notice - Copyright Miniature Bearings Australia Pty Ltd
MBA Size Listings are a guide to sizes only and must not be solely relied on for critical design information.

O-Rings - Fluoroelastomer

Part Number	Inside Diameter (I.D.) mm <i>inches</i>	Section (t) mm <i>inches</i>	Material	Hardness	Notes
# OR-01046-533-VBR75-309	10.46 <i>0.412</i>	5.33 <i>0.210</i>	Brown Fluoroelastomer	Duro 75	Black may be substituted when brown not available
# OR-01046-533-VBR90-309	10.46 <i>0.412</i>	5.33 <i>0.210</i>	Brown Fluoroelastomer	Duro 90	Black may be substituted when brown not available
# OR-01052-183-VBR75-905	10.52 <i>0.414</i>	1.83 <i>0.072</i>	Brown Fluoroelastomer	Duro 75	Black may be substituted when brown not available
# OR-01052-183-VBR90-905	10.52 <i>0.414</i>	1.83 <i>0.072</i>	Brown Fluoroelastomer	Duro 90	Black may be substituted when brown not available
# OR-01069-353-VBR75-205	10.69 <i>0.421</i>	3.53 <i>0.139</i>	Brown Fluoroelastomer	Duro 75	Black may be substituted when brown not available
# OR-01069-353-VBR90-205	10.69 <i>0.421</i>	3.53 <i>0.139</i>	Brown Fluoroelastomer	Duro 90	Black may be substituted when brown not available
OR-01077-262-VBL75-111	10.77 <i>0.424</i>	2.62 <i>0.103</i>	Black Fluoroelastomer	Duro 75	Black may be substituted when brown not available
OR-01077-262-VBR75-111	10.77 <i>0.424</i>	2.62 <i>0.103</i>	Brown Fluoroelastomer	Duro 75	Black may be substituted when brown not available

Indicates item not stocked at time of printing - Please enquire for lead time

Page 17 of 194

E&OE Pricing and all details subject to change without notice - Copyright Miniature Bearings Australia Pty Ltd
MBA Size Listings are a guide to sizes only and must not be solely relied on for critical design information.

O-Rings - Fluoroelastomer

Part Number	Inside Diameter (I.D.) mm <i>inches</i>	Section (t) mm <i>inches</i>	Material	Hardness	Notes
# OR-01077-262-VBR90-111	10.77 <i>0.424</i>	2.62 <i>0.103</i>	Brown Fluoroelastomer	Duro 90	Black may be substituted when brown not available
# OR-01082-178-VBR90-013	10.82 <i>0.426</i>	1.78 <i>0.070</i>	Brown Fluoroelastomer	Duro 90	Black may be substituted when brown not available
OR-01082-178-VBR75-013	10.82 <i>0.426</i>	1.78 <i>0.070</i>	Brown Fluoroelastomer	Duro 75	Black may be substituted when brown not available
# OR-01100-100-VBR75	11.00 <i>0.433</i>	1.00 <i>0.039</i>	Brown Fluoroelastomer	Duro 75	Black may be substituted when brown not available
# OR-01100-150-VBR75	11.00 <i>0.433</i>	1.50 <i>0.059</i>	Brown Fluoroelastomer	Duro 75	Black may be substituted when brown not available
# OR-01100-200-VBR75	11.00 <i>0.433</i>	2.00 <i>0.079</i>	Brown Fluoroelastomer	Duro 75	Black may be substituted when brown not available
OR-01100-250-VBR75	11.00 <i>0.433</i>	2.50 <i>0.098</i>	Brown Fluoroelastomer	Duro 75	Black may be substituted when brown not available
# OR-01100-300-VBR75	11.00 <i>0.433</i>	3.00 <i>0.118</i>	Brown Fluoroelastomer	Duro 75	Black may be substituted when brown not available

Indicates item not stocked at time of printing - Please enquire for lead time

Page 18 of 194

E&OE Pricing and all details subject to change without notice - Copyright Miniature Bearings Australia Pty Ltd
MBA Size Listings are a guide to sizes only and must not be solely relied on for critical design information.

O-Rings - Fluoroelastomer

Part Number	Inside Diameter (I.D.) mm <i>inches</i>	Section (t) mm <i>inches</i>	Material	Hardness	Notes
# OR-01100-400-VBR75	11.00 <i>0.433</i>	4.00 <i>0.157</i>	Brown Fluoroelastomer	Duro 75	Black may be substituted when brown not available
# OR-01150-300-VBR75	11.50 <i>0.453</i>	3.00 <i>0.118</i>	Brown Fluoroelastomer	Duro 75	Black may be substituted when brown not available
# OR-01189-198-VBR90-906	11.89 <i>0.468</i>	1.98 <i>0.078</i>	Brown Fluoroelastomer	Duro 90	Black may be substituted when brown not available
# OR-01189-198-VBR75-906	11.89 <i>0.468</i>	1.98 <i>0.078</i>	Brown Fluoroelastomer	Duro 75	Black may be substituted when brown not available
# OR-01200-100-VBR75	12.00 <i>0.472</i>	1.00 <i>0.039</i>	Brown Fluoroelastomer	Duro 75	Black may be substituted when brown not available
OR-01200-150-VBR75	12.00 <i>0.472</i>	1.50 <i>0.059</i>	Brown Fluoroelastomer	Duro 75	Black may be substituted when brown not available
OR-01200-200-VBR75	12.00 <i>0.472</i>	2.00 <i>0.079</i>	Brown Fluoroelastomer	Duro 75	Black may be substituted when brown not available
# OR-01200-250-VBR75	12.00 <i>0.472</i>	2.50 <i>0.098</i>	Brown Fluoroelastomer	Duro 75	Black may be substituted when brown not available

Indicates item not stocked at time of printing - Please enquire for lead time

Page 19 of 194

E&OE Pricing and all details subject to change without notice - Copyright Miniature Bearings Australia Pty Ltd
MBA Size Listings are a guide to sizes only and must not be solely relied on for critical design information.

O-Rings - Fluoroelastomer

Part Number	Inside Diameter (I.D.) mm <i>inches</i>	Section (t) mm <i>inches</i>	Material	Hardness	Notes
# OR-01200-300-VBR75	12.00 <i>0.472</i>	3.00 <i>0.118</i>	Brown Fluoroelastomer	Duro 75	Black may be substituted when brown not available
# OR-01200-400-VBR75	12.00 <i>0.472</i>	4.00 <i>0.157</i>	Brown Fluoroelastomer	Duro 75	Black may be substituted when brown not available
# OR-01200-500-VBR75	12.00 <i>0.472</i>	5.00 <i>0.197</i>	Brown Fluoroelastomer	Duro 75	Black may be substituted when brown not available
# OR-01207-533-VBR75-310	12.07 <i>0.475</i>	5.33 <i>0.210</i>	Brown Fluoroelastomer	Duro 75	Black may be substituted when brown not available
# OR-01207-533-VBR90-310	12.07 <i>0.475</i>	5.33 <i>0.210</i>	Brown Fluoroelastomer	Duro 90	Black may be substituted when brown not available
# OR-01229-353-VBR90-206	12.29 <i>0.484</i>	3.53 <i>0.139</i>	Brown Fluoroelastomer	Duro 90	Black may be substituted when brown not available
# OR-01229-353-VBR75-206	12.29 <i>0.484</i>	3.53 <i>0.139</i>	Brown Fluoroelastomer	Duro 75	Black may be substituted when brown not available
# OR-01237-262-VBR90-112	12.37 <i>0.487</i>	2.62 <i>0.103</i>	Brown Fluoroelastomer	Duro 90	Black may be substituted when brown not available

Indicates item not stocked at time of printing - Please enquire for lead time

Page 20 of 194

E&OE Pricing and all details subject to change without notice - Copyright Miniature Bearings Australia Pty Ltd
MBA Size Listings are a guide to sizes only and must not be solely relied on for critical design information.

O-Rings - Fluoroelastomer

Part Number	Inside Diameter (I.D.) mm <i>inches</i>	Section (t) mm <i>inches</i>	Material	Hardness	Notes
OR-01237-262-VBR75-112	12.37 <i>0.487</i>	2.62 <i>0.103</i>	Brown Fluoroelastomer	Duro 75	Black may be substituted when brown not available
OR-01242-178-VBR75-014	12.42 <i>0.489</i>	1.78 <i>0.070</i>	Brown Fluoroelastomer	Duro 75	Black may be substituted when brown not available
# OR-01242-178-VBR90-014	12.42 <i>0.489</i>	1.78 <i>0.070</i>	Brown Fluoroelastomer	Duro 90	Black may be substituted when brown not available
OR-01300-100-VBR75	13.00 <i>0.512</i>	1.00 <i>0.039</i>	Brown Fluoroelastomer	Duro 75	Black may be substituted when brown not available
# OR-01300-150-VBR75	13.00 <i>0.512</i>	1.50 <i>0.059</i>	Brown Fluoroelastomer	Duro 75	Black may be substituted when brown not available
OR-01300-200-VBR75	13.00 <i>0.512</i>	2.00 <i>0.079</i>	Black Fluoroelastomer	Duro 75	Brown may be substituted when black not available
# OR-01300-250-VBR75	13.00 <i>0.512</i>	2.50 <i>0.098</i>	Brown Fluoroelastomer	Duro 75	Black may be substituted when brown not available
OR-01300-300-VBR75	13.00 <i>0.512</i>	3.00 <i>0.118</i>	Brown Fluoroelastomer	Duro 75	Black may be substituted when brown not available

Indicates item not stocked at time of printing - Please enquire for lead time

Page 21 of 194

E&OE Pricing and all details subject to change without notice - Copyright Miniature Bearings Australia Pty Ltd
MBA Size Listings are a guide to sizes only and must not be solely relied on for critical design information.

O-Rings - Fluoroelastomer

Part Number	Inside Diameter (I.D.) mm	Section (t) mm	Material	Hardness	Notes
	<i>inches</i>	<i>inches</i>			
# OR-01346-208-VBR90-907	13.46 <i>0.530</i>	2.08 <i>0.082</i>	Brown Fluoroelastomer	Duro 90	Black may be substituted when brown not available
# OR-01346-208-VBR75-907	13.46 <i>0.530</i>	2.08 <i>0.082</i>	Brown Fluoroelastomer	Duro 75	Black may be substituted when brown not available
# OR-01364-533-VBR75-311	13.64 <i>0.537</i>	5.33 <i>0.210</i>	Brown Fluoroelastomer	Duro 75	Black may be substituted when brown not available
# OR-01364-533-VBR90-311	13.64 <i>0.537</i>	5.33 <i>0.210</i>	Brown Fluoroelastomer	Duro 90	Black may be substituted when brown not available
# OR-01387-353-VBR90-207	13.87 <i>0.546</i>	3.53 <i>0.139</i>	Brown Fluoroelastomer	Duro 90	Black may be substituted when brown not available
# OR-01387-353-VBR75-207	13.87 <i>0.546</i>	3.53 <i>0.139</i>	Brown Fluoroelastomer	Duro 75	Black may be substituted when brown not available
# OR-01395-262-VBR75-113	13.95 <i>0.549</i>	2.62 <i>0.103</i>	Brown Fluoroelastomer	Duro 75	Black may be substituted when brown not available
# OR-01395-262-VBR90-113	13.95 <i>0.549</i>	2.62 <i>0.103</i>	Brown Fluoroelastomer	Duro 90	Black may be substituted when brown not available

Indicates item not stocked at time of printing - Please enquire for lead time

Page 22 of 194

E&OE Pricing and all details subject to change without notice - Copyright Miniature Bearings Australia Pty Ltd
MBA Size Listings are a guide to sizes only and must not be solely relied on for critical design information.

O-Rings - Fluoroelastomer

Part Number	Inside Diameter (I.D.) mm <i>inches</i>	Section (t) mm <i>inches</i>	Material	Hardness	Notes
# OR-01400-100-VBR75	14.00 <i>0.551</i>	1.00 <i>0.039</i>	Brown Fluoroelastomer	Duro 75	Black may be substituted when brown not available
# OR-01400-150-VBR75	14.00 <i>0.551</i>	1.50 <i>0.059</i>	Brown Fluoroelastomer	Duro 75	Black may be substituted when brown not available
# OR-01400-178-VBR90-015	14.00 <i>0.551</i>	1.78 <i>0.070</i>	Brown Fluoroelastomer	Duro 90	Black may be substituted when brown not available
OR-01400-178-VBR75-015	14.00 <i>0.551</i>	1.78 <i>0.070</i>	Brown Fluoroelastomer	Duro 75	Black may be substituted when brown not available
OR-01400-178-VBL75-015	14.00 <i>0.551</i>	1.78 <i>0.070</i>	Black Fluoroelastomer	Duro 75	Black may be substituted when brown not available
# OR-01400-200-VBR75	14.00 <i>0.551</i>	2.00 <i>0.079</i>	Brown Fluoroelastomer	Duro 75	Black may be substituted when brown not available
# OR-01400-250-VBR75	14.00 <i>0.551</i>	2.50 <i>0.098</i>	Brown Fluoroelastomer	Duro 75	Black may be substituted when brown not available
# OR-01400-300-VBR75	14.00 <i>0.551</i>	3.00 <i>0.118</i>	Brown Fluoroelastomer	Duro 75	Black may be substituted when brown not available

Indicates item not stocked at time of printing - Please enquire for lead time

Page 23 of 194

E&OE Pricing and all details subject to change without notice - Copyright Miniature Bearings Australia Pty Ltd
MBA Size Listings are a guide to sizes only and must not be solely relied on for critical design information.

O-Rings - Fluoroelastomer

Part Number	Inside Diameter (I.D.) mm	Section (t) mm	Material	Hardness	Notes
	<i>inches</i>	<i>inches</i>			
# OR-01400-350-VBR75	14.00 <i>0.551</i>	3.50 <i>0.138</i>	Brown Fluoroelastomer	Duro 75	Black may be substituted when brown not available
# OR-01400-400-VBR75	14.00 <i>0.551</i>	4.00 <i>0.157</i>	Brown Fluoroelastomer	Duro 75	Black may be substituted when brown not available
# OR-01430-240-VBR75	14.30 <i>0.563</i>	2.40 <i>0.094</i>	Brown Fluoroelastomer	Duro 75	Black may be substituted when brown not available
OR-01500-100-VBR75	15.00 <i>0.591</i>	1.00 <i>0.039</i>	Brown Fluoroelastomer	Duro 75	Black may be substituted when brown not available
# OR-01500-150-VBR75	15.00 <i>0.591</i>	1.50 <i>0.059</i>	Brown Fluoroelastomer	Duro 75	Black may be substituted when brown not available
OR-01500-200-VBR75	15.00 <i>0.591</i>	2.00 <i>0.079</i>	Brown Fluoroelastomer	Duro 75	Black may be substituted when brown not available
# OR-01500-250-VBR75	15.00 <i>0.591</i>	2.50 <i>0.098</i>	Brown Fluoroelastomer	Duro 75	Black may be substituted when brown not available
# OR-01500-300-VBR75	15.00 <i>0.591</i>	3.00 <i>0.118</i>	Brown Fluoroelastomer	Duro 75	Black may be substituted when brown not available

Indicates item not stocked at time of printing - Please enquire for lead time

Page 24 of 194

E&OE Pricing and all details subject to change without notice - Copyright Miniature Bearings Australia Pty Ltd
MBA Size Listings are a guide to sizes only and must not be solely relied on for critical design information.

O-Rings - Fluoroelastomer

Part Number	Inside Diameter (I.D.) mm <i>inches</i>	Section (t) mm <i>inches</i>	Material	Hardness	Notes
# OR-01500-350-VBR75	15.00 <i>0.591</i>	3.50 <i>0.138</i>	Brown Fluoroelastomer	Duro 75	Black may be substituted when brown not available
# OR-01500-400-VBR75	15.00 <i>0.591</i>	4.00 <i>0.157</i>	Brown Fluoroelastomer	Duro 75	Black may be substituted when brown not available
# OR-01500-500-VBR75	15.00 <i>0.591</i>	5.00 <i>0.197</i>	Brown Fluoroelastomer	Duro 75	Black may be substituted when brown not available
# OR-01524-533-VBR75-312	15.24 <i>0.600</i>	5.33 <i>0.210</i>	Brown Fluoroelastomer	Duro 75	Black may be substituted when brown not available
# OR-01524-533-VBR90-312	15.24 <i>0.600</i>	5.33 <i>0.210</i>	Brown Fluoroelastomer	Duro 90	Black may be substituted when brown not available
# OR-01530-240-VBR75	15.30 <i>0.602</i>	2.40 <i>0.094</i>	Brown Fluoroelastomer	Duro 75	Black may be substituted when brown not available
# OR-01547-353-VBR75-208	15.47 <i>0.609</i>	3.53 <i>0.139</i>	Brown Fluoroelastomer	Duro 75	Black may be substituted when brown not available
# OR-01547-353-VBR90-208	15.47 <i>0.609</i>	3.53 <i>0.139</i>	Brown Fluoroelastomer	Duro 90	Black may be substituted when brown not available

Indicates item not stocked at time of printing - Please enquire for lead time

Page 25 of 194

E&OE Pricing and all details subject to change without notice - Copyright Miniature Bearings Australia Pty Ltd
MBA Size Listings are a guide to sizes only and must not be solely relied on for critical design information.

O-Rings - Fluoroelastomer

Part Number	Inside Diameter (I.D.) mm	Section (t) mm	Material	Hardness	Notes
	<i>inches</i>	<i>inches</i>			
# OR-01554-262-VBR90-114	15.54 <i>0.612</i>	2.62 <i>0.103</i>	Brown Fluoroelastomer	Duro 90	Black may be substituted when brown not available
# OR-01554-262-VBR75-114	15.54 <i>0.612</i>	2.62 <i>0.103</i>	Brown Fluoroelastomer	Duro 75	Black may be substituted when brown not available
OR-01560-178-VBR75-016	15.60 <i>0.614</i>	1.78 <i>0.070</i>	Brown Fluoroelastomer	Duro 75	Black may be substituted when brown not available
# OR-01560-178-VBR90-016	15.60 <i>0.614</i>	1.78 <i>0.070</i>	Brown Fluoroelastomer	Duro 90	Black may be substituted when brown not available
# OR-01600-100-VBR75	16.00 <i>0.630</i>	1.00 <i>0.039</i>	Brown Fluoroelastomer	Duro 75	Black may be substituted when brown not available
# OR-01600-150-VBR75	16.00 <i>0.630</i>	1.50 <i>0.059</i>	Brown Fluoroelastomer	Duro 75	Black may be substituted when brown not available
OR-01600-200-VBR75	16.00 <i>0.630</i>	2.00 <i>0.079</i>	Brown Fluoroelastomer	Duro 75	Black may be substituted when brown not available
OR-01600-250-VBR75	16.00 <i>0.630</i>	2.50 <i>0.098</i>	Brown Fluoroelastomer	Duro 75	Black may be substituted when brown not available

Indicates item not stocked at time of printing - Please enquire for lead time

Page 26 of 194

E&OE Pricing and all details subject to change without notice - Copyright Miniature Bearings Australia Pty Ltd
MBA Size Listings are a guide to sizes only and must not be solely relied on for critical design information.

O-Rings - Fluoroelastomer

Part Number	Inside Diameter (I.D.) mm <i>inches</i>	Section (t) mm <i>inches</i>	Material	Hardness	Notes
# OR-01600-300-VBR75	16.00 <i>0.630</i>	3.00 <i>0.118</i>	Brown Fluoroelastomer	Duro 75	Black may be substituted when brown not available
# OR-01600-350-VBR75	16.00 <i>0.630</i>	3.50 <i>0.138</i>	Brown Fluoroelastomer	Duro 75	Black may be substituted when brown not available
# OR-01600-400-VBR75	16.00 <i>0.630</i>	4.00 <i>0.157</i>	Brown Fluoroelastomer	Duro 75	Black may be substituted when brown not available
# OR-01600-500-VBR75	16.00 <i>0.630</i>	5.00 <i>0.197</i>	Brown Fluoroelastomer	Duro 75	Black may be substituted when brown not available
OR-01636-221-VBR75-908	16.36 <i>0.644</i>	2.21 <i>0.087</i>	Brown Fluoroelastomer	Duro 75	Black may be substituted when brown not available
# OR-01636-221-VBR90-908	16.36 <i>0.644</i>	2.21 <i>0.087</i>	Brown Fluoroelastomer	Duro 90	Black may be substituted when brown not available
# OR-01681-533-VBR75-313	16.81 <i>0.662</i>	5.33 <i>0.210</i>	Brown Fluoroelastomer	Duro 75	Black may be substituted when brown not available
# OR-01681-533-VBR90-313	16.81 <i>0.662</i>	5.33 <i>0.210</i>	Brown Fluoroelastomer	Duro 90	Black may be substituted when brown not available

Indicates item not stocked at time of printing - Please enquire for lead time

Page 27 of 194

E&OE Pricing and all details subject to change without notice - Copyright Miniature Bearings Australia Pty Ltd
MBA Size Listings are a guide to sizes only and must not be solely relied on for critical design information.

O-Rings - Fluoroelastomer

Part Number	Inside Diameter (I.D.) mm <i>inches</i>	Section (t) mm <i>inches</i>	Material	Hardness	Notes
# OR-01700-100-VBR75	17.00 <i>0.669</i>	1.00 <i>0.039</i>	Brown Fluoroelastomer	Duro 75	Black may be substituted when brown not available
OR-01700-150-VBR75	17.00 <i>0.669</i>	1.50 <i>0.059</i>	Brown Fluoroelastomer	Duro 75	Black may be substituted when brown not available
# OR-01700-200-VBR75	17.00 <i>0.669</i>	2.00 <i>0.079</i>	Brown Fluoroelastomer	Duro 75	Black may be substituted when brown not available
# OR-01700-250-VBR75	17.00 <i>0.669</i>	2.50 <i>0.098</i>	Brown Fluoroelastomer	Duro 75	Black may be substituted when brown not available
OR-01700-300-VBR75	17.00 <i>0.669</i>	3.00 <i>0.118</i>	Brown Fluoroelastomer	Duro 75	Black may be substituted when brown not available
# OR-01700-350-VBR75	17.00 <i>0.669</i>	3.50 <i>0.138</i>	Brown Fluoroelastomer	Duro 75	Black may be substituted when brown not available
# OR-01700-400-VBR75	17.00 <i>0.669</i>	4.00 <i>0.157</i>	Brown Fluoroelastomer	Duro 75	Black may be substituted when brown not available
# OR-01704-353-VBR75-209	17.04 <i>0.671</i>	3.53 <i>0.139</i>	Brown Fluoroelastomer	Duro 75	Black may be substituted when brown not available

Indicates item not stocked at time of printing - Please enquire for lead time

Page 28 of 194

E&OE Pricing and all details subject to change without notice - Copyright Miniature Bearings Australia Pty Ltd
MBA Size Listings are a guide to sizes only and must not be solely relied on for critical design information.

O-Rings - Fluoroelastomer

Part Number	Inside Diameter (I.D.) mm	Section (t) mm	Material	Hardness	Notes
	<i>inches</i>	<i>inches</i>			
# OR-01704-353-VBR90-209	17.04 <i>0.671</i>	3.53 <i>0.139</i>	Brown Fluoroelastomer	Duro 90	Black may be substituted when brown not available
# OR-01712-262-VBR75-115	17.12 <i>0.674</i>	2.62 <i>0.103</i>	Brown Fluoroelastomer	Duro 70	Black may be substituted when brown not available
# OR-01712-262-VBR90-115	17.12 <i>0.674</i>	2.62 <i>0.103</i>	Brown Fluoroelastomer	Duro 90	Black may be substituted when brown not available
OR-01717-178-VBR75-017	17.17 <i>0.676</i>	1.78 <i>0.070</i>	Brown Fluoroelastomer	Duro 75	Black may be substituted when brown not available
OR-01717-178-VBR90-017	17.17 <i>0.676</i>	1.78 <i>0.070</i>	Brown Fluoroelastomer	Duro 90	Black may be substituted when brown not available
# OR-01793-246-VBR90-909	17.93 <i>0.706</i>	2.46 <i>0.097</i>	Brown Fluoroelastomer	Duro 90	Black may be substituted when brown not available
# OR-01793-246-VBR75-909	17.93 <i>0.706</i>	2.46 <i>0.097</i>	Brown Fluoroelastomer	Duro 75	Black may be substituted when brown not available
# OR-01800-100-VBR75	18.00 <i>0.709</i>	1.00 <i>0.039</i>	Brown Fluoroelastomer	Duro 75	Black may be substituted when brown not available

Indicates item not stocked at time of printing - Please enquire for lead time

Page 29 of 194

E&OE Pricing and all details subject to change without notice - Copyright Miniature Bearings Australia Pty Ltd
MBA Size Listings are a guide to sizes only and must not be solely relied on for critical design information.

O-Rings - Fluoroelastomer

Part Number	Inside Diameter (I.D.) mm <i>inches</i>	Section (t) mm <i>inches</i>	Material	Hardness	Notes
# OR-01800-150-VBR75	18.00 <i>0.709</i>	1.50 <i>0.059</i>	Brown Fluoroelastomer	Duro 75	Black may be substituted when brown not available
OR-01800-200-VBR75	18.00 <i>0.709</i>	2.00 <i>0.079</i>	Brown Fluoroelastomer	Duro 75	Black may be substituted when brown not available
# OR-01800-250-VBR75	18.00 <i>0.709</i>	2.50 <i>0.098</i>	Brown Fluoroelastomer	Duro 75	Black may be substituted when brown not available
# OR-01800-300-VBR75	18.00 <i>0.709</i>	3.00 <i>0.118</i>	Brown Fluoroelastomer	Duro 75	Black may be substituted when brown not available
# OR-01800-350-VBR75	18.00 <i>0.709</i>	3.50 <i>0.138</i>	Brown Fluoroelastomer	Duro 75	Black may be substituted when brown not available
# OR-01800-400-VBR75	18.00 <i>0.709</i>	4.00 <i>0.157</i>	Brown Fluoroelastomer	Duro 75	Black may be substituted when brown not available
# OR-01800-500-VBR75	18.00 <i>0.709</i>	5.00 <i>0.197</i>	Brown Fluoroelastomer	Duro 75	Black may be substituted when brown not available
# OR-01842-533-VBR75-314	18.42 <i>0.725</i>	5.33 <i>0.210</i>	Brown Fluoroelastomer	Duro 75	Black may be substituted when brown not available

Indicates item not stocked at time of printing - Please enquire for lead time

Page 30 of 194

E&OE Pricing and all details subject to change without notice - Copyright Miniature Bearings Australia Pty Ltd

MBA Size Listings are a guide to sizes only and must not be solely relied on for critical design information.

O-Rings - Fluoroelastomer

Part Number	Inside Diameter (I.D.) mm	Section (t) mm	Material	Hardness	Notes
	<i>inches</i>	<i>inches</i>			
# OR-01842-533-VBR90-314	18.42	5.33	Brown Fluoroelastomer	Duro 90	Black may be substituted when brown not available
	<i>0.725</i>	<i>0.210</i>			
# OR-01864-353-VBR90-210	18.64	3.53	Brown Fluoroelastomer	Duro 90	Black may be substituted when brown not available
	<i>0.734</i>	<i>0.139</i>			
# OR-01864-353-VBR75-210	18.64	3.53	Brown Fluoroelastomer	Duro 75	Black may be substituted when brown not available
	<i>0.734</i>	<i>0.139</i>			
OR-01864-353-VBL75-210	18.64	3.53	Black Fluoroelastomer	Duro 75	Black may be substituted when brown not available
	<i>0.734</i>	<i>0.139</i>			
# OR-01872-262-VBR90-116	18.72	2.62	Brown Fluoroelastomer	Duro 90	Black may be substituted when brown not available
	<i>0.737</i>	<i>0.103</i>			
OR-01872-262-VBR75-116	18.72	2.62	Brown Fluoroelastomer	Duro 75	Black may be substituted when brown not available
	<i>0.737</i>	<i>0.103</i>			
# OR-01877-178-VBR75-018	18.77	1.78	Brown Fluoroelastomer	Duro 75	Black may be substituted when brown not available
	<i>0.739</i>	<i>0.070</i>			
# OR-01877-178-VBR90-018	18.77	1.78	Brown Fluoroelastomer	Duro 90	Black may be substituted when brown not available
	<i>0.739</i>	<i>0.070</i>			

Indicates item not stocked at time of printing - Please enquire for lead time

Page 31 of 194

E&OE Pricing and all details subject to change without notice - Copyright Miniature Bearings Australia Pty Ltd
MBA Size Listings are a guide to sizes only and must not be solely relied on for critical design information.

O-Rings - Fluoroelastomer

Part Number	Inside Diameter (I.D.) mm <i>inches</i>	Section (t) mm <i>inches</i>	Material	Hardness	Notes
# OR-01900-150-VBR75	19.00 <i>0.748</i>	1.50 <i>0.059</i>	Brown Fluoroelastomer	Duro 75	Black may be substituted when brown not available
# OR-01900-200-VBR75	19.00 <i>0.748</i>	2.00 <i>0.079</i>	Brown Fluoroelastomer	Duro 75	Black may be substituted when brown not available
# OR-01900-250-VBR75	19.00 <i>0.748</i>	2.50 <i>0.098</i>	Brown Fluoroelastomer	Duro 75	Black may be substituted when brown not available
# OR-01900-300-VBR75	19.00 <i>0.748</i>	3.00 <i>0.118</i>	Brown Fluoroelastomer	Duro 75	Black may be substituted when brown not available
# OR-01900-400-VBR75	19.00 <i>0.748</i>	4.00 <i>0.157</i>	Brown Fluoroelastomer	Duro 75	Black may be substituted when brown not available
# OR-01900-500-VBR75	19.00 <i>0.748</i>	5.00 <i>0.197</i>	Brown Fluoroelastomer	Duro 75	Black may be substituted when brown not available
# OR-01918-246-VBR90-910	19.18 <i>0.755</i>	2.46 <i>0.097</i>	Brown Fluoroelastomer	Duro 90	Black may be substituted when brown not available
# OR-01918-246-VBR75-910	19.18 <i>0.755</i>	2.46 <i>0.097</i>	Brown Fluoroelastomer	Duro 75	Black may be substituted when brown not available

Indicates item not stocked at time of printing - Please enquire for lead time

Page 32 of 194

E&OE Pricing and all details subject to change without notice - Copyright Miniature Bearings Australia Pty Ltd
MBA Size Listings are a guide to sizes only and must not be solely relied on for critical design information.

O-Rings - Fluoroelastomer

Part Number	Inside Diameter (I.D.) mm <i>inches</i>	Section (t) mm <i>inches</i>	Material	Hardness	Notes
# OR-01999-533-VBR75-315	19.99 <i>0.787</i>	5.33 <i>0.210</i>	Brown Fluoroelastomer	Duro 75	Black may be substituted when brown not available
# OR-01999-533-VBR90-315	19.99 <i>0.787</i>	5.33 <i>0.210</i>	Brown Fluoroelastomer	Duro 90	Black may be substituted when brown not available
# OR-02000-100-VBR75	20.00 <i>0.787</i>	1.00 <i>0.039</i>	Brown Fluoroelastomer	Duro 75	Black may be substituted when brown not available
# OR-02000-150-VBR75	20.00 <i>0.787</i>	1.50 <i>0.059</i>	Brown Fluoroelastomer	Duro 75	Black may be substituted when brown not available
# OR-02000-200-VBR75	20.00 <i>0.787</i>	2.00 <i>0.079</i>	Brown Fluoroelastomer	Duro 75	Black may be substituted when brown not available
# OR-02000-250-VBR75	20.00 <i>0.787</i>	2.50 <i>0.098</i>	Brown Fluoroelastomer	Duro 75	Black may be substituted when brown not available
OR-02000-300-VBR75	20.00 <i>0.787</i>	3.00 <i>0.118</i>	Black Fluoroelastomer	Duro 75	Brown may be substituted when brown not available
# OR-02000-350-VBR75	20.00 <i>0.787</i>	3.50 <i>0.138</i>	Brown Fluoroelastomer	Duro 75	Black may be substituted when brown not available

Indicates item not stocked at time of printing - Please enquire for lead time

Page 33 of 194

E&OE Pricing and all details subject to change without notice - Copyright Miniature Bearings Australia Pty Ltd
MBA Size Listings are a guide to sizes only and must not be solely relied on for critical design information.

O-Rings - Fluoroelastomer

Part Number	Inside Diameter (I.D.) mm <i>inches</i>	Section (t) mm <i>inches</i>	Material	Hardness	Notes
# OR-02000-400-VBR75	20.00 <i>0.787</i>	4.00 <i>0.157</i>	Brown Fluoroelastomer	Duro 75	Black may be substituted when brown not available
# OR-02000-500-VBR75	20.00 <i>0.787</i>	5.00 <i>0.197</i>	Brown Fluoroelastomer	Duro 75	Black may be substituted when brown not available
# OR-02022-353-VBR75-211	20.22 <i>0.796</i>	3.53 <i>0.139</i>	Brown Fluoroelastomer	Duro 75	Black may be substituted when brown not available
# OR-02022-353-VBR90-211	20.22 <i>0.796</i>	3.53 <i>0.139</i>	Brown Fluoroelastomer	Duro 90	Black may be substituted when brown not available
# OR-02030-262-VBR75-117	20.30 <i>0.799</i>	2.62 <i>0.103</i>	Brown Fluoroelastomer	Duro 75	Black may be substituted when brown not available
# OR-02035-178-VBR75-019	20.35 <i>0.801</i>	1.78 <i>0.070</i>	Brown Fluoroelastomer	Duro 75	Black may be substituted when brown not available
# OR-02035-178-VBR90-019	20.35 <i>0.801</i>	1.78 <i>0.070</i>	Brown Fluoroelastomer	Duro 90	Black may be substituted when brown not available
# OR-02100-100-VBR75	21.00 <i>0.827</i>	1.00 <i>0.039</i>	Brown Fluoroelastomer	Duro 75	Black may be substituted when brown not available

Indicates item not stocked at time of printing - Please enquire for lead time

Page 34 of 194

E&OE Pricing and all details subject to change without notice - Copyright Miniature Bearings Australia Pty Ltd
MBA Size Listings are a guide to sizes only and must not be solely relied on for critical design information.

O-Rings - Fluoroelastomer

Part Number	Inside Diameter (I.D.) mm <i>inches</i>	Section (t) mm <i>inches</i>	Material	Hardness	Notes
# OR-02100-150-VBR75	21.00 <i>0.827</i>	1.50 <i>0.059</i>	Brown Fluoroelastomer	Duro 75	Black may be substituted when brown not available
# OR-02100-200-VBR75	21.00 <i>0.827</i>	2.00 <i>0.079</i>	Brown Fluoroelastomer	Duro 75	Black may be substituted when brown not available
# OR-02100-250-VBR75	21.00 <i>0.827</i>	2.50 <i>0.098</i>	Brown Fluoroelastomer	Duro 75	Black may be substituted when brown not available
# OR-02100-300-VBR75	21.00 <i>0.827</i>	3.00 <i>0.118</i>	Brown Fluoroelastomer	Duro 75	Black may be substituted when brown not available
# OR-02100-400-VBR75	21.00 <i>0.827</i>	4.00 <i>0.157</i>	Brown Fluoroelastomer	Duro 75	Black may be substituted when brown not available
# OR-02159-533-VBR90-316	21.59 <i>0.850</i>	5.33 <i>0.210</i>	Brown Fluoroelastomer	Duro 90	Black may be substituted when brown not available
# OR-02159-533-VBR75-316	21.59 <i>0.850</i>	5.33 <i>0.210</i>	Brown Fluoroelastomer	Duro 75	Black may be substituted when brown not available
# OR-02182-353-VBR75-212	21.82 <i>0.859</i>	3.53 <i>0.139</i>	Brown Fluoroelastomer	Duro 75	Black may be substituted when brown not available

Indicates item not stocked at time of printing - Please enquire for lead time

Page 35 of 194

E&OE Pricing and all details subject to change without notice - Copyright Miniature Bearings Australia Pty Ltd
MBA Size Listings are a guide to sizes only and must not be solely relied on for critical design information.

O-Rings - Fluoroelastomer

Part Number	Inside Diameter (I.D.) mm <i>inches</i>	Section (t) mm <i>inches</i>	Material	Hardness	Notes
# OR-02182-353-VBR90-212	21.82 <i>0.859</i>	3.53 <i>0.139</i>	Brown Fluoroelastomer	Duro 90	Black may be substituted when brown not available
OR-02189-262-VBR75-118	21.89 <i>0.862</i>	2.62 <i>0.103</i>	Brown Fluoroelastomer	Duro 75	Black may be substituted when brown not available
# OR-02189-262-VBR90-118	21.89 <i>0.862</i>	2.62 <i>0.103</i>	Brown Fluoroelastomer	Duro 90	Black may be substituted when brown not available
# OR-02192-295-VBR90-911	21.92 <i>0.863</i>	2.95 <i>0.116</i>	Brown Fluoroelastomer	Duro 90	Black may be substituted when brown not available
# OR-02192-295-VBR75-911	21.92 <i>0.863</i>	2.95 <i>0.116</i>	Brown Fluoroelastomer	Duro 75	Black may be substituted when brown not available
# OR-02195-178-VBR90-020	21.95 <i>0.864</i>	1.78 <i>0.070</i>	Brown Fluoroelastomer	Duro 90	Black may be substituted when brown not available
# OR-02195-178-VBR75-020	21.95 <i>0.864</i>	1.78 <i>0.070</i>	Brown Fluoroelastomer	Duro 75	Black may be substituted when brown not available
OR-02200-150-VBR75	22.00 <i>0.866</i>	1.50 <i>0.059</i>	Brown Fluoroelastomer	Duro 75	Black may be substituted when brown not available

Indicates item not stocked at time of printing - Please enquire for lead time

Page 36 of 194

E&OE Pricing and all details subject to change without notice - Copyright Miniature Bearings Australia Pty Ltd
MBA Size Listings are a guide to sizes only and must not be solely relied on for critical design information.

O-Rings - Fluoroelastomer

Part Number	Inside Diameter (I.D.) mm <i>inches</i>	Section (t) mm <i>inches</i>	Material	Hardness	Notes
# OR-02200-200-VBR75	22.00 <i>0.866</i>	2.00 <i>0.079</i>	Brown Fluoroelastomer	Duro 75	Black may be substituted when brown not available
# OR-02200-250-VBR75	22.00 <i>0.866</i>	2.50 <i>0.098</i>	Brown Fluoroelastomer	Duro 75	Black may be substituted when brown not available
# OR-02200-300-VBR75	22.00 <i>0.866</i>	3.00 <i>0.118</i>	Brown Fluoroelastomer	Duro 75	Black may be substituted when brown not available
# OR-02200-350-VBR75	22.00 <i>0.866</i>	3.50 <i>0.138</i>	Brown Fluoroelastomer	Duro 75	Black may be substituted when brown not available
OR-02200-400-VBR75	22.00 <i>0.866</i>	4.00 <i>0.157</i>	Brown Fluoroelastomer	Duro 75	Black may be substituted when brown not available
# OR-02200-500-VBR75	22.00 <i>0.866</i>	5.00 <i>0.197</i>	Brown Fluoroelastomer	Duro 75	Black may be substituted when brown not available
# OR-02300-150-VBR75	23.00 <i>0.906</i>	1.50 <i>0.059</i>	Brown Fluoroelastomer	Duro 75	Black may be substituted when brown not available
# OR-02300-200-VBR75	23.00 <i>0.906</i>	2.00 <i>0.079</i>	Brown Fluoroelastomer	Duro 75	Black may be substituted when brown not available

Indicates item not stocked at time of printing - Please enquire for lead time

Page 37 of 194

E&OE Pricing and all details subject to change without notice - Copyright Miniature Bearings Australia Pty Ltd
MBA Size Listings are a guide to sizes only and must not be solely relied on for critical design information.

O-Rings - Fluoroelastomer

Part Number	Inside Diameter (I.D.) mm <i>inches</i>	Section (t) mm <i>inches</i>	Material	Hardness	Notes
# OR-02300-250-VBR75	23.00 <i>0.906</i>	2.50 <i>0.098</i>	Brown Fluoroelastomer	Duro 75	Black may be substituted when brown not available
# OR-02300-300-VBR75	23.00 <i>0.906</i>	3.00 <i>0.118</i>	Brown Fluoroelastomer	Duro 75	Black may be substituted when brown not available
# OR-02300-400-VBR75	23.00 <i>0.906</i>	4.00 <i>0.157</i>	Brown Fluoroelastomer	Duro 75	Black may be substituted when brown not available
# OR-02300-500-VBR75	23.00 <i>0.906</i>	5.00 <i>0.197</i>	Brown Fluoroelastomer	Duro 75	Black may be substituted when brown not available
# OR-02316-533-VBR75-317	23.16 <i>0.912</i>	5.33 <i>0.210</i>	Brown Fluoroelastomer	Duro 75	Black may be substituted when brown not available
# OR-02316-533-VBR90-317	23.16 <i>0.912</i>	5.33 <i>0.210</i>	Brown Fluoroelastomer	Duro 90	Black may be substituted when brown not available
# OR-02339-353-VBR75-213	23.39 <i>0.921</i>	3.53 <i>0.139</i>	Brown Fluoroelastomer	Duro 75	Black may be substituted when brown not available
# OR-02339-353-VBR90-213	23.39 <i>0.921</i>	3.53 <i>0.139</i>	Brown Fluoroelastomer	Duro 90	Black may be substituted when brown not available

Indicates item not stocked at time of printing - Please enquire for lead time

Page 38 of 194

E&OE Pricing and all details subject to change without notice - Copyright Miniature Bearings Australia Pty Ltd

MBA Size Listings are a guide to sizes only and must not be solely relied on for critical design information.

O-Rings - Fluoroelastomer

Part Number	Inside Diameter (I.D.) mm	Section (t) mm	Material	Hardness	Notes
	<i>inches</i>	<i>inches</i>			
# OR-02347-262-VBR75-119	23.47 <i>0.924</i>	2.62 <i>0.103</i>	Brown Fluoroelastomer	Duro 75	Black may be substituted when brown not available
# OR-02347-262-VBR90-119	23.47 <i>0.924</i>	2.62 <i>0.103</i>	Brown Fluoroelastomer	Duro 90	Black may be substituted when brown not available
# OR-02347-295-VBR90-912	23.47 <i>0.924</i>	2.95 <i>0.116</i>	Brown Fluoroelastomer	Duro 90	Black may be substituted when brown not available
# OR-02347-295-VBR75-912	23.47 <i>0.924</i>	2.95 <i>0.116</i>	Brown Fluoroelastomer	Duro 75	Black may be substituted when brown not available
# OR-02352-178-VBR90-021	23.52 <i>0.926</i>	1.78 <i>0.070</i>	Brown Fluoroelastomer	Duro 90	Black may be substituted when brown not available
# OR-02352-178-VBR75-021	23.52 <i>0.926</i>	1.78 <i>0.070</i>	Brown Fluoroelastomer	Duro 75	Black may be substituted when brown not available
# OR-02400-100-VBR75	24.00 <i>0.945</i>	1.00 <i>0.039</i>	Brown Fluoroelastomer	Duro 75	Black may be substituted when brown not available
# OR-02400-150-VBR75	24.00 <i>0.945</i>	1.50 <i>0.059</i>	Brown Fluoroelastomer	Duro 75	Black may be substituted when brown not available

Indicates item not stocked at time of printing - Please enquire for lead time

Page 39 of 194

E&OE Pricing and all details subject to change without notice - Copyright Miniature Bearings Australia Pty Ltd
MBA Size Listings are a guide to sizes only and must not be solely relied on for critical design information.

O-Rings - Fluoroelastomer

Part Number	Inside Diameter (I.D.) mm <i>inches</i>	Section (t) mm <i>inches</i>	Material	Hardness	Notes
OR-02400-200-VBR75	24.00 <i>0.945</i>	2.00 <i>0.079</i>	Brown Fluoroelastomer	Duro 75	Black may be substituted when brown not available
# OR-02400-250-VBR75	24.00 <i>0.945</i>	2.50 <i>0.098</i>	Brown Fluoroelastomer	Duro 75	Black may be substituted when brown not available
OR-02400-300-VBR75	24.00 <i>0.945</i>	3.00 <i>0.118</i>	Brown Fluoroelastomer	Duro 75	Black may be substituted when brown not available
# OR-02400-350-VBR75	24.00 <i>0.945</i>	3.50 <i>0.138</i>	Brown Fluoroelastomer	Duro 75	Black may be substituted when brown not available
# OR-02400-400-VBR75	24.00 <i>0.945</i>	4.00 <i>0.157</i>	Brown Fluoroelastomer	Duro 75	Black may be substituted when brown not available
# OR-02400-500-VBR75	24.00 <i>0.945</i>	5.00 <i>0.197</i>	Brown Fluoroelastomer	Duro 75	Black may be substituted when brown not available
# OR-02477-533-VBR90-318	24.77 <i>0.975</i>	5.33 <i>0.210</i>	Brown Fluoroelastomer	Duro 90	Black may be substituted when brown not available
# OR-02477-533-VBR75-318	24.77 <i>0.975</i>	5.33 <i>0.210</i>	Brown Fluoroelastomer	Duro 75	Black may be substituted when brown not available

Indicates item not stocked at time of printing - Please enquire for lead time

Page 40 of 194

E&OE Pricing and all details subject to change without notice - Copyright Miniature Bearings Australia Pty Ltd

MBA Size Listings are a guide to sizes only and must not be solely relied on for critical design information.

O-Rings - Fluoroelastomer

Part Number	Inside Diameter (I.D.) mm <i>inches</i>	Section (t) mm <i>inches</i>	Material	Hardness	Notes
OR-02499-353-VBR75-214	24.99 <i>0.984</i>	3.53 <i>0.139</i>	Brown Fluoroelastomer	Duro 75	Black may be substituted when brown not available
# OR-02499-353-VBR90-214	24.99 <i>0.984</i>	3.53 <i>0.139</i>	Brown Fluoroelastomer	Duro 90	Black may be substituted when brown not available
# OR-02500-150-VBR75	25.00 <i>0.984</i>	1.50 <i>0.059</i>	Brown Fluoroelastomer	Duro 75	Black may be substituted when brown not available
# OR-02500-200-VBR75	25.00 <i>0.984</i>	2.00 <i>0.079</i>	Brown Fluoroelastomer	Duro 75	Black may be substituted when brown not available
# OR-02500-250-VBR75	25.00 <i>0.984</i>	2.50 <i>0.098</i>	Brown Fluoroelastomer	Duro 75	Black may be substituted when brown not available
# OR-02500-300-VBR75	25.00 <i>0.984</i>	3.00 <i>0.118</i>	Brown Fluoroelastomer	Duro 75	Black may be substituted when brown not available
# OR-02500-350-VBR75	25.00 <i>0.984</i>	3.50 <i>0.138</i>	Brown Fluoroelastomer	Duro 75	Black may be substituted when brown not available
# OR-02500-400-VBR75	25.00 <i>0.984</i>	4.00 <i>0.157</i>	Brown Fluoroelastomer	Duro 75	Black may be substituted when brown not available

Indicates item not stocked at time of printing - Please enquire for lead time

Page 41 of 194

E&OE Pricing and all details subject to change without notice - Copyright Miniature Bearings Australia Pty Ltd
MBA Size Listings are a guide to sizes only and must not be solely relied on for critical design information.

O-Rings - Fluoroelastomer

Part Number	Inside Diameter (I.D.) mm	Section (t) mm	Material	Hardness	Notes
	<i>inches</i>	<i>inches</i>			
# OR-02500-500-VBR75	25.00 <i>0.984</i>	5.00 <i>0.197</i>	Brown Fluoroelastomer	Duro 75	Black may be substituted when brown not available
# OR-02504-295-VBR90-913	25.04 <i>0.986</i>	2.95 <i>0.116</i>	Brown Fluoroelastomer	Duro 90	Black may be substituted when brown not available
# OR-02504-295-VBR75-913	25.04 <i>0.986</i>	2.95 <i>0.116</i>	Brown Fluoroelastomer	Duro 75	Black may be substituted when brown not available
# OR-02507-262-VBR90-120	25.07 <i>0.987</i>	2.62 <i>0.103</i>	Brown Fluoroelastomer	Duro 90	Black may be substituted when brown not available
# OR-02507-262-VBR75-120	25.07 <i>0.987</i>	2.62 <i>0.103</i>	Brown Fluoroelastomer	Duro 75	Black may be substituted when brown not available
# OR-02512-178-VBR90-022	25.12 <i>0.989</i>	1.78 <i>0.070</i>	Brown Fluoroelastomer	Duro 90	Black may be substituted when brown not available
# OR-02512-178-VBR75-022	25.12 <i>0.989</i>	1.78 <i>0.070</i>	Brown Fluoroelastomer	Duro 75	Black may be substituted when brown not available
# OR-02600-150-VBR75	26.00 <i>1.024</i>	1.50 <i>0.059</i>	Brown Fluoroelastomer	Duro 75	Black may be substituted when brown not available

Indicates item not stocked at time of printing - Please enquire for lead time

Page 42 of 194

E&OE Pricing and all details subject to change without notice - Copyright Miniature Bearings Australia Pty Ltd
MBA Size Listings are a guide to sizes only and must not be solely relied on for critical design information.

O-Rings - Fluoroelastomer

Part Number	Inside Diameter (I.D.) mm <i>inches</i>	Section (t) mm <i>inches</i>	Material	Hardness	Notes
# OR-02600-200-VBR75	26.00 <i>1.024</i>	2.00 <i>0.079</i>	Brown Fluoroelastomer	Duro 75	Black may be substituted when brown not available
# OR-02600-250-VBR75	26.00 <i>1.024</i>	2.50 <i>0.098</i>	Brown Fluoroelastomer	Duro 75	Black may be substituted when brown not available
# OR-02600-300-VBR75	26.00 <i>1.024</i>	3.00 <i>0.118</i>	Brown Fluoroelastomer	Duro 75	Black may be substituted when brown not available
# OR-02600-350-VBR75	26.00 <i>1.024</i>	3.50 <i>0.138</i>	Brown Fluoroelastomer	Duro 75	Black may be substituted when brown not available
# OR-02600-500-VBR75	26.00 <i>1.024</i>	5.00 <i>0.197</i>	Brown Fluoroelastomer	Duro 75	Black may be substituted when brown not available
# OR-02634-533-VBR75-319	26.34 <i>1.037</i>	5.33 <i>0.210</i>	Brown Fluoroelastomer	Duro 75	Black may be substituted when brown not available
# OR-02634-533-VBR90-319	26.34 <i>1.037</i>	5.33 <i>0.210</i>	Brown Fluoroelastomer	Duro 90	Black may be substituted when brown not available
# OR-02657-353-VBR75-215	26.57 <i>1.046</i>	3.53 <i>0.139</i>	Brown Fluoroelastomer	Duro 75	Black may be substituted when brown not available

Indicates item not stocked at time of printing - Please enquire for lead time

Page 43 of 194

E&OE Pricing and all details subject to change without notice - Copyright Miniature Bearings Australia Pty Ltd
MBA Size Listings are a guide to sizes only and must not be solely relied on for critical design information.

O-Rings - Fluoroelastomer

Part Number	Inside Diameter (I.D.) mm	Section (t) mm	Material	Hardness	Notes
	<i>inches</i>	<i>inches</i>			
# OR-02657-353-VBR90-215	26.57	3.53	Brown Fluoroelastomer	Duro 90	Black may be substituted when brown not available
	<i>1.046</i>	<i>0.139</i>			
# OR-02659-295-VBR75-914	26.59	2.95	Brown Fluoroelastomer	Duro 75	Black may be substituted when brown not available
	<i>1.047</i>	<i>0.116</i>			
# OR-02659-295-VBR90-914	26.59	2.95	Brown Fluoroelastomer	Duro 90	Black may be substituted when brown not available
	<i>1.047</i>	<i>0.116</i>			
# OR-02664-262-VBR90-121	26.64	2.62	Brown Fluoroelastomer	Duro 90	Black may be substituted when brown not available
	<i>1.049</i>	<i>0.103</i>			
# OR-02664-262-VBR75-121	26.64	2.62	Brown Fluoroelastomer	Duro 75	Black may be substituted when brown not available
	<i>1.049</i>	<i>0.103</i>			
# OR-02670-178-VBR90-023	26.70	1.78	Brown Fluoroelastomer	Duro 90	Black may be substituted when brown not available
	<i>1.051</i>	<i>0.070</i>			
# OR-02670-178-VBR75-023	26.70	1.78	Brown Fluoroelastomer	Duro 75	Black may be substituted when brown not available
	<i>1.051</i>	<i>0.070</i>			
# OR-02700-150-VBR75	27.00	1.50	Brown Fluoroelastomer	Duro 75	Black may be substituted when brown not available
	<i>1.063</i>	<i>0.059</i>			

Indicates item not stocked at time of printing - Please enquire for lead time

Page 44 of 194

E&OE Pricing and all details subject to change without notice - Copyright Miniature Bearings Australia Pty Ltd
MBA Size Listings are a guide to sizes only and must not be solely relied on for critical design information.

O-Rings - Fluoroelastomer

Part Number	Inside Diameter (I.D.) mm <i>inches</i>	Section (t) mm <i>inches</i>	Material	Hardness	Notes
# OR-02700-200-VBR75	27.00 <i>1.063</i>	2.00 <i>0.079</i>	Brown Fluoroelastomer	Duro 75	Black may be substituted when brown not available
# OR-02700-250-VBR75	27.00 <i>1.063</i>	2.50 <i>0.098</i>	Brown Fluoroelastomer	Duro 75	Black may be substituted when brown not available
# OR-02700-300-VBR75	27.00 <i>1.063</i>	3.00 <i>0.118</i>	Brown Fluoroelastomer	Duro 75	Black may be substituted when brown not available
# OR-02700-400-VBR75	27.00 <i>1.063</i>	4.00 <i>0.157</i>	Brown Fluoroelastomer	Duro 75	Black may be substituted when brown not available
# OR-02700-500-VBR75	27.00 <i>1.063</i>	5.00 <i>0.197</i>	Brown Fluoroelastomer	Duro 75	Black may be substituted when brown not available
# OR-02794-533-VBR90-320	27.94 <i>1.100</i>	5.33 <i>0.210</i>	Brown Fluoroelastomer	Duro 90	Black may be substituted when brown not available
# OR-02794-533-VBR75-320	27.94 <i>1.100</i>	5.33 <i>0.210</i>	Brown Fluoroelastomer	Duro 75	Black may be substituted when brown not available
OR-02800-150-VBR75	28.00 <i>1.102</i>	1.50 <i>0.059</i>	Brown Fluoroelastomer	Duro 75	Black may be substituted when brown not available

Indicates item not stocked at time of printing - Please enquire for lead time

Page 45 of 194

E&OE Pricing and all details subject to change without notice - Copyright Miniature Bearings Australia Pty Ltd

MBA Size Listings are a guide to sizes only and must not be solely relied on for critical design information.

O-Rings - Fluoroelastomer

Part Number	Inside Diameter (I.D.) mm <i>inches</i>	Section (t) mm <i>inches</i>	Material	Hardness	Notes
# OR-02800-200-VBR75	28.00 <i>1.102</i>	2.00 <i>0.079</i>	Brown Fluoroelastomer	Duro 75	Black may be substituted when brown not available
# OR-02800-250-VBR75	28.00 <i>1.102</i>	2.50 <i>0.098</i>	Brown Fluoroelastomer	Duro 75	Black may be substituted when brown not available
OR-02800-300-VBR75	28.00 <i>1.102</i>	3.00 <i>0.118</i>	Brown Fluoroelastomer	Duro 75	Black may be substituted when brown not available
# OR-02800-350-VBR75	28.00 <i>1.102</i>	3.50 <i>0.138</i>	Brown Fluoroelastomer	Duro 75	Black may be substituted when brown not available
# OR-02800-400-VBR75	28.00 <i>1.102</i>	4.00 <i>0.157</i>	Brown Fluoroelastomer	Duro 75	Black may be substituted when brown not available
# OR-02800-500-VBR75	28.00 <i>1.102</i>	5.00 <i>0.197</i>	Brown Fluoroelastomer	Duro 75	Black may be substituted when brown not available
# OR-02817-353-VBR90-216	28.17 <i>1.109</i>	3.53 <i>0.139</i>	Brown Fluoroelastomer	Duro 90	Black may be substituted when brown not available
# OR-02817-353-VBR75-216	28.17 <i>1.109</i>	3.53 <i>0.139</i>	Brown Fluoroelastomer	Duro 75	Black may be substituted when brown not available

Indicates item not stocked at time of printing - Please enquire for lead time

Page 46 of 194

E&OE Pricing and all details subject to change without notice - Copyright Miniature Bearings Australia Pty Ltd
MBA Size Listings are a guide to sizes only and must not be solely relied on for critical design information.

O-Rings - Fluoroelastomer

Part Number	Inside Diameter (I.D.) mm	Section (t) mm	Material	Hardness	Notes
	<i>inches</i>	<i>inches</i>			
# OR-02824-262-VBR90-122	28.24	2.62	Brown Fluoroelastomer	Duro 90	Black may be substituted when brown not available
	<i>1.112</i>	<i>0.103</i>			
OR-02824-262-VBR75-122	28.24	2.62	Brown Fluoroelastomer	Duro 75	Black may be substituted when brown not available
	<i>1.112</i>	<i>0.103</i>			
# OR-02830-178-VBR90-024	28.30	1.78	Brown Fluoroelastomer	Duro 90	Black may be substituted when brown not available
	<i>1.114</i>	<i>0.070</i>			
OR-02830-178-VBR75-024	28.30	1.78	Brown Fluoroelastomer	Duro 75	Black may be substituted when brown not available
	<i>1.114</i>	<i>0.070</i>			
# OR-02900-150-VBR75	29.00	1.50	Brown Fluoroelastomer	Duro 75	Black may be substituted when brown not available
	<i>1.142</i>	<i>0.059</i>			
# OR-02900-200-VBR75	29.00	2.00	Brown Fluoroelastomer	Duro 75	Black may be substituted when brown not available
	<i>1.142</i>	<i>0.079</i>			
# OR-02900-250-VBR75	29.00	2.50	Brown Fluoroelastomer	Duro 75	Black may be substituted when brown not available
	<i>1.142</i>	<i>0.098</i>			
# OR-02900-300-VBR75	29.00	3.00	Brown Fluoroelastomer	Duro 75	Black may be substituted when brown not available
	<i>1.142</i>	<i>0.118</i>			

Indicates item not stocked at time of printing - Please enquire for lead time

Page 47 of 194

E&OE Pricing and all details subject to change without notice - Copyright Miniature Bearings Australia Pty Ltd

MBA Size Listings are a guide to sizes only and must not be solely relied on for critical design information.

O-Rings - Fluoroelastomer

Part Number	Inside Diameter (I.D.) mm <i>inches</i>	Section (t) mm <i>inches</i>	Material	Hardness	Notes
# OR-02900-400-VBR75	29.00 <i>1.142</i>	4.00 <i>0.157</i>	Brown Fluoroelastomer	Duro 75	Black may be substituted when brown not available
# OR-02900-500-VBR75	29.00 <i>1.142</i>	5.00 <i>0.197</i>	Brown Fluoroelastomer	Duro 75	Black may be substituted when brown not available
# OR-02951-533-VBR90-321	29.51 <i>1.162</i>	5.33 <i>0.210</i>	Brown Fluoroelastomer	Duro 90	Black may be substituted when brown not available
# OR-02951-533-VBR75-321	29.51 <i>1.162</i>	5.33 <i>0.210</i>	Brown Fluoroelastomer	Duro 75	Black may be substituted when brown not available
# OR-02974-295-VBR90-916	29.74 <i>1.171</i>	2.95 <i>0.116</i>	Brown Fluoroelastomer	Duro 90	Black may be substituted when brown not available
# OR-02974-295-VBR75-916	29.74 <i>1.171</i>	2.95 <i>0.116</i>	Brown Fluoroelastomer	Duro 75	Black may be substituted when brown not available
# OR-02975-353-VBR90-217	29.75 <i>1.171</i>	3.53 <i>0.139</i>	Brown Fluoroelastomer	Duro 90	Black may be substituted when brown not available
OR-02975-353-VBR75-217	29.75 <i>1.171</i>	3.53 <i>0.139</i>	Brown Fluoroelastomer	Duro 75	Black may be substituted when brown not available

Indicates item not stocked at time of printing - Please enquire for lead time

Page 48 of 194

E&OE Pricing and all details subject to change without notice - Copyright Miniature Bearings Australia Pty Ltd

MBA Size Listings are a guide to sizes only and must not be solely relied on for critical design information.

O-Rings - Fluoroelastomer

Part Number	Inside Diameter (I.D.) mm <i>inches</i>	Section (t) mm <i>inches</i>	Material	Hardness	Notes
# OR-02982-262-VBR90-123	29.82 <i>1.174</i>	2.62 <i>0.103</i>	Brown Fluoroelastomer	Duro 90	Black may be substituted when brown not available
# OR-02982-262-VBR75-123	29.82 <i>1.174</i>	2.62 <i>0.103</i>	Brown Fluoroelastomer	Duro 75	Black may be substituted when brown not available
# OR-02987-178-VBR90-025	29.87 <i>1.176</i>	1.78 <i>0.070</i>	Brown Fluoroelastomer	Duro 90	Black may be substituted when brown not available
OR-02987-178-VBR75-025	29.87 <i>1.176</i>	1.78 <i>0.070</i>	Brown Fluoroelastomer	Duro 75	Black may be substituted when brown not available
# OR-03000-100-VBR75	30.00 <i>1.181</i>	1.00 <i>0.039</i>	Brown Fluoroelastomer	Duro 75	Black may be substituted when brown not available
# OR-03000-150-VBR75	30.00 <i>1.181</i>	1.50 <i>0.059</i>	Brown Fluoroelastomer	Duro 75	Black may be substituted when brown not available
# OR-03000-200-VBR75	30.00 <i>1.181</i>	2.00 <i>0.079</i>	Brown Fluoroelastomer	Duro 75	Black may be substituted when brown not available
# OR-03000-250-VBR75	30.00 <i>1.181</i>	2.50 <i>0.098</i>	Brown Fluoroelastomer	Duro 75	Black may be substituted when brown not available

Indicates item not stocked at time of printing - Please enquire for lead time

Page 49 of 194

E&OE Pricing and all details subject to change without notice - Copyright Miniature Bearings Australia Pty Ltd
MBA Size Listings are a guide to sizes only and must not be solely relied on for critical design information.

O-Rings - Fluoroelastomer

Part Number	Inside Diameter (I.D.) mm <i>inches</i>	Section (t) mm <i>inches</i>	Material	Hardness	Notes
# OR-03000-300-VBR75	30.00 <i>1.181</i>	3.00 <i>0.118</i>	Brown Fluoroelastomer	Duro 75	Black may be substituted when brown not available
# OR-03000-350-VBR75	30.00 <i>1.181</i>	3.50 <i>0.138</i>	Brown Fluoroelastomer	Duro 75	Black may be substituted when brown not available
# OR-03000-400-VBR75	30.00 <i>1.181</i>	4.00 <i>0.157</i>	Brown Fluoroelastomer	Duro 75	Black may be substituted when brown not available
# OR-03000-500-VBR75	30.00 <i>1.181</i>	5.00 <i>0.197</i>	Brown Fluoroelastomer	Duro 75	Black may be substituted when brown not available
OR-03100-150-VBR75	31.00 <i>1.220</i>	1.50 <i>0.059</i>	Brown Fluoroelastomer	Duro 75	Black may be substituted when brown not available
# OR-03100-200-VBR75	31.00 <i>1.220</i>	2.00 <i>0.079</i>	Brown Fluoroelastomer	Duro 75	Black may be substituted when brown not available
# OR-03100-300-VBR75	31.00 <i>1.220</i>	3.00 <i>0.118</i>	Brown Fluoroelastomer	Duro 75	Black may be substituted when brown not available
# OR-03100-400-VBR75	31.00 <i>1.220</i>	4.00 <i>0.157</i>	Brown Fluoroelastomer	Duro 75	Black may be substituted when brown not available

Indicates item not stocked at time of printing - Please enquire for lead time

Page 50 of 194

E&OE Pricing and all details subject to change without notice - Copyright Miniature Bearings Australia Pty Ltd
MBA Size Listings are a guide to sizes only and must not be solely relied on for critical design information.

O-Rings - Fluoroelastomer

Part Number	Inside Diameter (I.D.) mm <i>inches</i>	Section (t) mm <i>inches</i>	Material	Hardness	Notes
# OR-03112-533-VBR90-322	31.12 <i>1.225</i>	5.33 <i>0.210</i>	Brown Fluoroelastomer	Duro 90	Black may be substituted when brown not available
# OR-03112-533-VBR75-322	31.12 <i>1.225</i>	5.33 <i>0.210</i>	Brown Fluoroelastomer	Duro 75	Black may be substituted when brown not available
# OR-03134-353-VBR90-218	31.34 <i>1.234</i>	3.53 <i>0.139</i>	Brown Fluoroelastomer	Duro 90	Black may be substituted when brown not available
OR-03134-353-VBR75-218	31.34 <i>1.234</i>	3.53 <i>0.139</i>	Brown Fluoroelastomer	Duro 75	Black may be substituted when brown not available
# OR-03142-262-VBR90-124	31.42 <i>1.237</i>	2.62 <i>0.103</i>	Brown Fluoroelastomer	Duro 90	Black may be substituted when brown not available
# OR-03142-262-VBR75-124	31.42 <i>1.237</i>	2.62 <i>0.103</i>	Brown Fluoroelastomer	Duro 75	Black may be substituted when brown not available
# OR-03147-178-VBR75-026	31.47 <i>1.239</i>	1.78 <i>0.070</i>	Brown Fluoroelastomer	Duro 75	Black may be substituted when brown not available
# OR-03147-178-VBR90-026	31.47 <i>1.239</i>	1.78 <i>0.070</i>	Brown Fluoroelastomer	Duro 90	Black may be substituted when brown not available

Indicates item not stocked at time of printing - Please enquire for lead time

Page 51 of 194

E&OE Pricing and all details subject to change without notice - Copyright Miniature Bearings Australia Pty Ltd
MBA Size Listings are a guide to sizes only and must not be solely relied on for critical design information.

O-Rings - Fluoroelastomer

Part Number	Inside Diameter (I.D.) mm <i>inches</i>	Section (t) mm <i>inches</i>	Material	Hardness	Notes
# OR-03200-150-VBR75	32.00 <i>1.260</i>	1.50 <i>0.059</i>	Brown Fluoroelastomer	Duro 75	Black may be substituted when brown not available
# OR-03200-200-VBR75	32.00 <i>1.260</i>	2.00 <i>0.079</i>	Brown Fluoroelastomer	Duro 75	Black may be substituted when brown not available
# OR-03200-250-VBR75	32.00 <i>1.260</i>	2.50 <i>0.098</i>	Brown Fluoroelastomer	Duro 75	Black may be substituted when brown not available
# OR-03200-300-VBR75	32.00 <i>1.260</i>	3.00 <i>0.118</i>	Brown Fluoroelastomer	Duro 75	Black may be substituted when brown not available
# OR-03200-350-VBR75	32.00 <i>1.260</i>	3.50 <i>0.138</i>	Brown Fluoroelastomer	Duro 75	Black may be substituted when brown not available
# OR-03200-400-VBR75	32.00 <i>1.260</i>	4.00 <i>0.157</i>	Brown Fluoroelastomer	Duro 75	Black may be substituted when brown not available
# OR-03200-500-VBR75	32.00 <i>1.260</i>	5.00 <i>0.197</i>	Brown Fluoroelastomer	Duro 75	Black may be substituted when brown not available
# OR-03269-533-VBR75-323	32.69 <i>1.287</i>	5.33 <i>0.210</i>	Brown Fluoroelastomer	Duro 75	Black may be substituted when brown not available

Indicates item not stocked at time of printing - Please enquire for lead time

Page 52 of 194

E&OE Pricing and all details subject to change without notice - Copyright Miniature Bearings Australia Pty Ltd

MBA Size Listings are a guide to sizes only and must not be solely relied on for critical design information.

O-Rings - Fluoroelastomer

Part Number	Inside Diameter (I.D.) mm <i>inches</i>	Section (t) mm <i>inches</i>	Material	Hardness	Notes
# OR-03269-533-VBR90-323	32.69 <i>1.287</i>	5.33 <i>0.210</i>	Brown Fluoroelastomer	Duro 90	Black may be substituted when brown not available
# OR-03292-353-VBR75-219	32.92 <i>1.296</i>	3.53 <i>0.139</i>	Brown Fluoroelastomer	Duro 75	Black may be substituted when brown not available
# OR-03292-353-VBR90-219	32.92 <i>1.296</i>	3.53 <i>0.139</i>	Brown Fluoroelastomer	Duro 90	Black may be substituted when brown not available
# OR-03299-262-VBR75-125	32.99 <i>1.299</i>	2.62 <i>0.103</i>	Brown Fluoroelastomer	Duro 75	Black may be substituted when brown not available
# OR-03299-262-VBR90-125	32.99 <i>1.299</i>	2.62 <i>0.103</i>	Brown Fluoroelastomer	Duro 90	Black may be substituted when brown not available
# OR-03300-150-VBR75	33.00 <i>1.299</i>	1.50 <i>0.059</i>	Brown Fluoroelastomer	Duro 75	Black may be substituted when brown not available
# OR-03300-200-VBR75	33.00 <i>1.299</i>	2.00 <i>0.079</i>	Brown Fluoroelastomer	Duro 75	Black may be substituted when brown not available
# OR-03300-300-VBR75	33.00 <i>1.299</i>	3.00 <i>0.118</i>	Brown Fluoroelastomer	Duro 75	Black may be substituted when brown not available

Indicates item not stocked at time of printing - Please enquire for lead time

Page 53 of 194

E&OE Pricing and all details subject to change without notice - Copyright Miniature Bearings Australia Pty Ltd
MBA Size Listings are a guide to sizes only and must not be solely relied on for critical design information.

O-Rings - Fluoroelastomer

Part Number	Inside Diameter (I.D.) mm <i>inches</i>	Section (t) mm <i>inches</i>	Material	Hardness	Notes
# OR-03300-350-VBR75	33.00 <i>1.299</i>	3.50 <i>0.138</i>	Brown Fluoroelastomer	Duro 75	Black may be substituted when brown not available
# OR-03305-178-VBR75-027	33.05 <i>1.301</i>	1.78 <i>0.070</i>	Brown Fluoroelastomer	Duro 75	Black may be substituted when brown not available
# OR-03305-178-VBR90-027	33.05 <i>1.301</i>	1.78 <i>0.070</i>	Brown Fluoroelastomer	Duro 90	Black may be substituted when brown not available
# OR-03400-150-VBR75	34.00 <i>1.339</i>	1.50 <i>0.059</i>	Brown Fluoroelastomer	Duro 75	Black may be substituted when brown not available
# OR-03400-200-VBR75	34.00 <i>1.339</i>	2.00 <i>0.079</i>	Brown Fluoroelastomer	Duro 75	Black may be substituted when brown not available
# OR-03400-250-VBR75	34.00 <i>1.339</i>	2.50 <i>0.098</i>	Brown Fluoroelastomer	Duro 75	Black may be substituted when brown not available
# OR-03400-300-VBR75	34.00 <i>1.339</i>	3.00 <i>0.118</i>	Brown Fluoroelastomer	Duro 75	Black may be substituted when brown not available
# OR-03400-350-VBR75	34.00 <i>1.339</i>	3.50 <i>0.138</i>	Brown Fluoroelastomer	Duro 75	Black may be substituted when brown not available

Indicates item not stocked at time of printing - Please enquire for lead time

Page 54 of 194

E&OE Pricing and all details subject to change without notice - Copyright Miniature Bearings Australia Pty Ltd

MBA Size Listings are a guide to sizes only and must not be solely relied on for critical design information.

O-Rings - Fluoroelastomer

Part Number	Inside Diameter (I.D.) mm <i>inches</i>	Section (t) mm <i>inches</i>	Material	Hardness	Notes
# OR-03400-400-VBR75	34.00 <i>1.339</i>	4.00 <i>0.157</i>	Brown Fluoroelastomer	Duro 75	Black may be substituted when brown not available
# OR-03400-500-VBR75	34.00 <i>1.339</i>	5.00 <i>0.197</i>	Brown Fluoroelastomer	Duro 75	Black may be substituted when brown not available
# OR-03429-533-VBR90-324	34.29 <i>1.350</i>	5.33 <i>0.210</i>	Brown Fluoroelastomer	Duro 90	Black may be substituted when brown not available
# OR-03429-533-VBR75-324	34.29 <i>1.350</i>	5.33 <i>0.210</i>	Brown Fluoroelastomer	Duro 75	Black may be substituted when brown not available
# OR-03442-295-VBR90-918	34.42 <i>1.355</i>	2.95 <i>0.116</i>	Brown Fluoroelastomer	Duro 90	Black may be substituted when brown not available
# OR-03442-295-VBR75-918	34.42 <i>1.355</i>	2.95 <i>0.116</i>	Brown Fluoroelastomer	Duro 75	Black may be substituted when brown not available
# OR-03452-353-VBR75-220	34.52 <i>1.359</i>	3.53 <i>0.139</i>	Brown Fluoroelastomer	Duro 75	Black may be substituted when brown not available
# OR-03452-353-VBR90-220	34.52 <i>1.359</i>	3.53 <i>0.139</i>	Brown Fluoroelastomer	Duro 90	Black may be substituted when brown not available

Indicates item not stocked at time of printing - Please enquire for lead time

Page 55 of 194

E&OE Pricing and all details subject to change without notice - Copyright Miniature Bearings Australia Pty Ltd
MBA Size Listings are a guide to sizes only and must not be solely relied on for critical design information.

O-Rings - Fluoroelastomer

Part Number	Inside Diameter (I.D.) mm	Section (t) mm	Material	Hardness	Notes
	<i>inches</i>	<i>inches</i>			
# OR-03457-262-VBR75-126	34.57	2.62	Brown Fluoroelastomer	Duro 75	Black may be substituted when brown not available
	<i>1.361</i>	<i>0.103</i>			
# OR-03457-262-VBR90-126	34.57	2.62	Brown Fluoroelastomer	Duro 90	Black may be substituted when brown not available
	<i>1.361</i>	<i>0.103</i>			
# OR-03465-178-VBR75-028	34.65	1.78	Brown Fluoroelastomer	Duro 75	Black may be substituted when brown not available
	<i>1.364</i>	<i>0.070</i>			
# OR-03465-178-VBR90-028	34.65	1.78	Brown Fluoroelastomer	Duro 90	Black may be substituted when brown not available
	<i>1.364</i>	<i>0.070</i>			
# OR-03500-150-VBR75	35.00	1.50	Brown Fluoroelastomer	Duro 75	Black may be substituted when brown not available
	<i>1.378</i>	<i>0.059</i>			
# OR-03500-200-VBR75	35.00	2.00	Brown Fluoroelastomer	Duro 75	Black may be substituted when brown not available
	<i>1.378</i>	<i>0.079</i>			
# OR-03500-250-VBR75	35.00	2.50	Brown Fluoroelastomer	Duro 75	Black may be substituted when brown not available
	<i>1.378</i>	<i>0.098</i>			
# OR-03500-300-VBR75	35.00	3.00	Brown Fluoroelastomer	Duro 75	Black may be substituted when brown not available
	<i>1.378</i>	<i>0.118</i>			

Indicates item not stocked at time of printing - Please enquire for lead time

Page 56 of 194

E&OE Pricing and all details subject to change without notice - Copyright Miniature Bearings Australia Pty Ltd
MBA Size Listings are a guide to sizes only and must not be solely relied on for critical design information.

O-Rings - Fluoroelastomer

Part Number	Inside Diameter (I.D.) mm <i>inches</i>	Section (t) mm <i>inches</i>	Material	Hardness	Notes
# OR-03500-350-VBR75	35.00 <i>1.378</i>	3.50 <i>0.138</i>	Brown Fluoroelastomer	Duro 75	Black may be substituted when brown not available
# OR-03500-400-VBR75	35.00 <i>1.378</i>	4.00 <i>0.157</i>	Brown Fluoroelastomer	Duro 75	Black may be substituted when brown not available
# OR-03500-500-VBR75	35.00 <i>1.378</i>	5.00 <i>0.197</i>	Brown Fluoroelastomer	Duro 75	Black may be substituted when brown not available
# OR-03600-150-VBR75	36.00 <i>1.417</i>	1.50 <i>0.059</i>	Brown Fluoroelastomer	Duro 75	Black may be substituted when brown not available
# OR-03600-200-VBR75	36.00 <i>1.417</i>	2.00 <i>0.079</i>	Brown Fluoroelastomer	Duro 75	Black may be substituted when brown not available
# OR-03600-250-VBR75	36.00 <i>1.417</i>	2.50 <i>0.098</i>	Brown Fluoroelastomer	Duro 75	Black may be substituted when brown not available
# OR-03600-300-VBR75	36.00 <i>1.417</i>	3.00 <i>0.118</i>	Brown Fluoroelastomer	Duro 75	Black may be substituted when brown not available
# OR-03600-350-VBR75	36.00 <i>1.417</i>	3.50 <i>0.138</i>	Brown Fluoroelastomer	Duro 75	Black may be substituted when brown not available

Indicates item not stocked at time of printing - Please enquire for lead time

Page 57 of 194

E&OE Pricing and all details subject to change without notice - Copyright Miniature Bearings Australia Pty Ltd

MBA Size Listings are a guide to sizes only and must not be solely relied on for critical design information.

O-Rings - Fluoroelastomer

Part Number	Inside Diameter (I.D.) mm <i>inches</i>	Section (t) mm <i>inches</i>	Material	Hardness	Notes
# OR-03600-400-VBR75	36.00 <i>1.417</i>	4.00 <i>0.157</i>	Brown Fluoroelastomer	Duro 75	Black may be substituted when brown not available
# OR-03600-500-VBR75	36.00 <i>1.417</i>	5.00 <i>0.197</i>	Brown Fluoroelastomer	Duro 75	Black may be substituted when brown not available
# OR-03609-353-VBR75-221	36.09 <i>1.421</i>	3.53 <i>0.139</i>	Brown Fluoroelastomer	Duro 75	Black may be substituted when brown not available
# OR-03609-353-VBR90-221	36.09 <i>1.421</i>	3.53 <i>0.139</i>	Brown Fluoroelastomer	Duro 90	Black may be substituted when brown not available
OR-03617-262-VBR75-127	36.17 <i>1.424</i>	2.62 <i>0.103</i>	Brown Fluoroelastomer	Duro 75	Black may be substituted when brown not available
# OR-03617-262-VBR90-127	36.17 <i>1.424</i>	2.62 <i>0.103</i>	Brown Fluoroelastomer	Duro 90	Black may be substituted when brown not available
# OR-03700-200-VBR75	37.00 <i>1.457</i>	2.00 <i>0.079</i>	Brown Fluoroelastomer	Duro 75	Black may be substituted when brown not available
# OR-03700-250-VBR75	37.00 <i>1.457</i>	2.50 <i>0.098</i>	Brown Fluoroelastomer	Duro 75	Black may be substituted when brown not available

Indicates item not stocked at time of printing - Please enquire for lead time

Page 58 of 194

E&OE Pricing and all details subject to change without notice - Copyright Miniature Bearings Australia Pty Ltd
MBA Size Listings are a guide to sizes only and must not be solely relied on for critical design information.

O-Rings - Fluoroelastomer

Part Number	Inside Diameter (I.D.) mm <i>inches</i>	Section (t) mm <i>inches</i>	Material	Hardness	Notes
# OR-03700-300-VBR75	37.00 <i>1.457</i>	3.00 <i>0.118</i>	Brown Fluoroelastomer	Duro 75	Black may be substituted when brown not available
# OR-03700-350-VBR75	37.00 <i>1.457</i>	3.50 <i>0.138</i>	Brown Fluoroelastomer	Duro 75	Black may be substituted when brown not available
# OR-03700-400-VBR75	37.00 <i>1.457</i>	4.00 <i>0.157</i>	Brown Fluoroelastomer	Duro 75	Black may be substituted when brown not available
# OR-03747-300-VBR90-920	37.47 <i>1.475</i>	3.00 <i>0.118</i>	Brown Fluoroelastomer	Duro 90	Black may be substituted when brown not available
# OR-03747-300-VBR75-920	37.47 <i>1.475</i>	3.00 <i>0.118</i>	Brown Fluoroelastomer	Duro 75	Black may be substituted when brown not available
# OR-03747-533-VBR75-325	37.47 <i>1.475</i>	5.33 <i>0.210</i>	Brown Fluoroelastomer	Duro 75	Black may be substituted when brown not available
# OR-03747-533-VBR90-325	37.47 <i>1.475</i>	5.33 <i>0.210</i>	Brown Fluoroelastomer	Duro 90	Black may be substituted when brown not available
# OR-03769-353-VBR90-222	37.69 <i>1.484</i>	3.53 <i>0.139</i>	Brown Fluoroelastomer	Duro 90	Black may be substituted when brown not available

Indicates item not stocked at time of printing - Please enquire for lead time

Page 59 of 194

E&OE Pricing and all details subject to change without notice - Copyright Miniature Bearings Australia Pty Ltd
MBA Size Listings are a guide to sizes only and must not be solely relied on for critical design information.

O-Rings - Fluoroelastomer

Part Number	Inside Diameter (I.D.) mm <i>inches</i>	Section (t) mm <i>inches</i>	Material	Hardness	Notes
OR-03769-353-VBR75-222	37.69 <i>1.484</i>	3.53 <i>0.139</i>	Black Fluoroelastomer	Duro 75	Brown may be substituted when black not available
# OR-03777-262-VBR75-128	37.77 <i>1.487</i>	2.62 <i>0.103</i>	Brown Fluoroelastomer	Duro 75	Black may be substituted when brown not available
# OR-03777-262-VBR90-128	37.77 <i>1.487</i>	2.62 <i>0.103</i>	Brown Fluoroelastomer	Duro 90	Black may be substituted when brown not available
# OR-03782-178-VBR90-029	37.82 <i>1.489</i>	1.78 <i>0.070</i>	Brown Fluoroelastomer	Duro 90	Black may be substituted when brown not available
# OR-03782-178-VBR75-029	37.82 <i>1.489</i>	1.78 <i>0.070</i>	Brown Fluoroelastomer	Duro 75	Black may be substituted when brown not available
# OR-03800-200-VBR75	38.00 <i>1.496</i>	2.00 <i>0.079</i>	Brown Fluoroelastomer	Duro 75	Black may be substituted when brown not available
# OR-03800-250-VBR75	38.00 <i>1.496</i>	2.50 <i>0.098</i>	Brown Fluoroelastomer	Duro 75	Black may be substituted when brown not available
# OR-03800-300-VBR75	38.00 <i>1.496</i>	3.00 <i>0.118</i>	Brown Fluoroelastomer	Duro 75	Black may be substituted when brown not available

Indicates item not stocked at time of printing - Please enquire for lead time

Page 60 of 194

E&OE Pricing and all details subject to change without notice - Copyright Miniature Bearings Australia Pty Ltd
MBA Size Listings are a guide to sizes only and must not be solely relied on for critical design information.

O-Rings - Fluoroelastomer

Part Number	Inside Diameter (I.D.) mm <i>inches</i>	Section (t) mm <i>inches</i>	Material	Hardness	Notes
# OR-03800-350-VBR75	38.00 <i>1.496</i>	3.50 <i>0.138</i>	Brown Fluoroelastomer	Duro 75	Black may be substituted when brown not available
# OR-03800-400-VBR75	38.00 <i>1.496</i>	4.00 <i>0.157</i>	Brown Fluoroelastomer	Duro 75	Black may be substituted when brown not available
# OR-03800-500-VBR75	38.00 <i>1.496</i>	5.00 <i>0.197</i>	Brown Fluoroelastomer	Duro 75	Black may be substituted when brown not available
# OR-03900-200-VBR75	39.00 <i>1.535</i>	2.00 <i>0.079</i>	Brown Fluoroelastomer	Duro 75	Black may be substituted when brown not available
# OR-03900-250-VBR75	39.00 <i>1.535</i>	2.50 <i>0.098</i>	Brown Fluoroelastomer	Duro 75	Black may be substituted when brown not available
# OR-03900-300-VBR75	39.00 <i>1.535</i>	3.00 <i>0.118</i>	Brown Fluoroelastomer	Duro 75	Black may be substituted when brown not available
# OR-03900-500-VBR75	39.00 <i>1.535</i>	5.00 <i>0.197</i>	Brown Fluoroelastomer	Duro 75	Black may be substituted when brown not available
# OR-03934-262-VBR75-129	39.34 <i>1.549</i>	2.62 <i>0.103</i>	Brown Fluoroelastomer	Duro 75	Black may be substituted when brown not available

Indicates item not stocked at time of printing - Please enquire for lead time

Page 61 of 194

E&OE Pricing and all details subject to change without notice - Copyright Miniature Bearings Australia Pty Ltd

MBA Size Listings are a guide to sizes only and must not be solely relied on for critical design information.

O-Rings - Fluoroelastomer

Part Number	Inside Diameter (I.D.) mm <i>inches</i>	Section (t) mm <i>inches</i>	Material	Hardness	Notes
# OR-03934-262-VBR90-129	39.34 <i>1.549</i>	2.62 <i>0.103</i>	Brown Fluoroelastomer	Duro 90	Black may be substituted when brown not available
# OR-04000-150-VBR75	40.00 <i>1.575</i>	1.50 <i>0.059</i>	Brown Fluoroelastomer	Duro 75	Black may be substituted when brown not available
# OR-04000-200-VBR75	40.00 <i>1.575</i>	2.00 <i>0.079</i>	Brown Fluoroelastomer	Duro 75	Black may be substituted when brown not available
# OR-04000-250-VBR75	40.00 <i>1.575</i>	2.50 <i>0.098</i>	Brown Fluoroelastomer	Duro 75	Black may be substituted when brown not available
# OR-04000-300-VBR75	40.00 <i>1.575</i>	3.00 <i>0.118</i>	Brown Fluoroelastomer	Duro 75	Black may be substituted when brown not available
# OR-04000-350-VBR75	40.00 <i>1.575</i>	3.50 <i>0.138</i>	Brown Fluoroelastomer	Duro 75	Black may be substituted when brown not available
# OR-04000-400-VBR75	40.00 <i>1.575</i>	4.00 <i>0.157</i>	Brown Fluoroelastomer	Duro 75	Black may be substituted when brown not available
# OR-04000-500-VBR75	40.00 <i>1.575</i>	5.00 <i>0.197</i>	Brown Fluoroelastomer	Duro 75	Black may be substituted when brown not available

Indicates item not stocked at time of printing - Please enquire for lead time

Page 62 of 194

E&OE Pricing and all details subject to change without notice - Copyright Miniature Bearings Australia Pty Ltd
MBA Size Listings are a guide to sizes only and must not be solely relied on for critical design information.

O-Rings - Fluoroelastomer

Part Number	Inside Diameter (I.D.) mm	Section (t) mm	Material	Hardness	Notes
	<i>inches</i>	<i>inches</i>			
# OR-04065-533-VBR90-326	40.65	5.33	Brown Fluoroelastomer	Duro 90	Black may be substituted when brown not available
	<i>1.600</i>	<i>0.210</i>			
# OR-04065-533-VBR75-326	40.65	5.33	Brown Fluoroelastomer	Duro 75	Black may be substituted when brown not available
	<i>1.600</i>	<i>0.210</i>			
# OR-04087-353-VBR90-223	40.87	3.53	Brown Fluoroelastomer	Duro 90	Black may be substituted when brown not available
	<i>1.609</i>	<i>0.139</i>			
# OR-04087-353-VBR75-223	40.87	3.53	Brown Fluoroelastomer	Duro 75	Black may be substituted when brown not available
	<i>1.609</i>	<i>0.139</i>			
# OR-04094-262-VBR90-130	40.94	2.62	Brown Fluoroelastomer	Duro 90	Black may be substituted when brown not available
	<i>1.612</i>	<i>0.103</i>			
OR-04094-262-VBR75-130	40.94	2.62	Brown Fluoroelastomer	Duro 75	Black may be substituted when brown not available
	<i>1.612</i>	<i>0.103</i>			
# OR-04100-178-VBR90-030	41.00	1.78	Brown Fluoroelastomer	Duro 90	Black may be substituted when brown not available
	<i>1.614</i>	<i>0.070</i>			
OR-04100-178-VBR75-030	41.00	1.78	Brown Fluoroelastomer	Duro 75	Black may be substituted when brown not available
	<i>1.614</i>	<i>0.070</i>			

Indicates item not stocked at time of printing - Please enquire for lead time

Page 63 of 194

E&OE Pricing and all details subject to change without notice - Copyright Miniature Bearings Australia Pty Ltd

MBA Size Listings are a guide to sizes only and must not be solely relied on for critical design information.

O-Rings - Fluoroelastomer

Part Number	Inside Diameter (I.D.) mm <i>inches</i>	Section (t) mm <i>inches</i>	Material	Hardness	Notes
# OR-04100-200-VBR75	41.00 <i>1.614</i>	2.00 <i>0.079</i>	Brown Fluoroelastomer	Duro 75	Black may be substituted when brown not available
# OR-04100-250-VBR75	41.00 <i>1.614</i>	2.50 <i>0.098</i>	Brown Fluoroelastomer	Duro 75	Black may be substituted when brown not available
# OR-04100-300-VBR75	41.00 <i>1.614</i>	3.00 <i>0.118</i>	Brown Fluoroelastomer	Duro 75	Black may be substituted when brown not available
# OR-04100-350-VBR75	41.00 <i>1.614</i>	3.50 <i>0.138</i>	Brown Fluoroelastomer	Duro 75	Black may be substituted when brown not available
# OR-04100-400-VBR75	41.00 <i>1.614</i>	4.00 <i>0.157</i>	Brown Fluoroelastomer	Duro 75	Black may be substituted when brown not available
# OR-04200-200-VBR75	42.00 <i>1.654</i>	2.00 <i>0.079</i>	Brown Fluoroelastomer	Duro 75	Black may be substituted when brown not available
# OR-04200-250-VBR75	42.00 <i>1.654</i>	2.50 <i>0.098</i>	Brown Fluoroelastomer	Duro 75	Black may be substituted when brown not available
# OR-04200-300-VBR75	42.00 <i>1.654</i>	3.00 <i>0.118</i>	Brown Fluoroelastomer	Duro 75	Black may be substituted when brown not available

Indicates item not stocked at time of printing - Please enquire for lead time

Page 64 of 194

E&OE Pricing and all details subject to change without notice - Copyright Miniature Bearings Australia Pty Ltd
MBA Size Listings are a guide to sizes only and must not be solely relied on for critical design information.

O-Rings - Fluoroelastomer

Part Number	Inside Diameter (I.D.) mm <i>inches</i>	Section (t) mm <i>inches</i>	Material	Hardness	Notes
# OR-04200-350-VBR75	42.00 <i>1.654</i>	3.50 <i>0.138</i>	Brown Fluoroelastomer	Duro 75	Black may be substituted when brown not available
# OR-04200-400-VBR75	42.00 <i>1.654</i>	4.00 <i>0.157</i>	Brown Fluoroelastomer	Duro 75	Black may be substituted when brown not available
# OR-04200-500-VBR75	42.00 <i>1.654</i>	5.00 <i>0.197</i>	Brown Fluoroelastomer	Duro 75	Black may be substituted when brown not available
OR-04252-262-VBR75-131	42.52 <i>1.674</i>	2.62 <i>0.103</i>	Brown Fluoroelastomer	Duro 75	Black may be substituted when brown not available
# OR-04252-262-VBR90-131	42.52 <i>1.674</i>	2.62 <i>0.103</i>	Brown Fluoroelastomer	Duro 90	Black may be substituted when brown not available
# OR-04300-200-VBR75	43.00 <i>1.693</i>	2.00 <i>0.079</i>	Brown Fluoroelastomer	Duro 75	Black may be substituted when brown not available
# OR-04300-250-VBR75	43.00 <i>1.693</i>	2.50 <i>0.098</i>	Brown Fluoroelastomer	Duro 75	Black may be substituted when brown not available
# OR-04300-300-VBR75	43.00 <i>1.693</i>	3.00 <i>0.118</i>	Brown Fluoroelastomer	Duro 75	Black may be substituted when brown not available

Indicates item not stocked at time of printing - Please enquire for lead time

Page 65 of 194

E&OE Pricing and all details subject to change without notice - Copyright Miniature Bearings Australia Pty Ltd
MBA Size Listings are a guide to sizes only and must not be solely relied on for critical design information.

O-Rings - Fluoroelastomer

Part Number	Inside Diameter (I.D.) mm <i>inches</i>	Section (t) mm <i>inches</i>	Material	Hardness	Notes
# OR-04300-350-VBR75	43.00 <i>1.693</i>	3.50 <i>0.138</i>	Brown Fluoroelastomer	Duro 75	Black may be substituted when brown not available
# OR-04300-500-VBR75	43.00 <i>1.693</i>	5.00 <i>0.197</i>	Brown Fluoroelastomer	Duro 75	Black may be substituted when brown not available
# OR-04369-300-VBR75-924	43.69 <i>1.720</i>	3.00 <i>0.118</i>	Brown Fluoroelastomer	Duro 75	Black may be substituted when brown not available
# OR-04369-300-VBR90-924	43.69 <i>1.720</i>	3.00 <i>0.118</i>	Brown Fluoroelastomer	Duro 90	Black may be substituted when brown not available
# OR-04382-533-VBR90-327	43.82 <i>1.725</i>	5.33 <i>0.210</i>	Brown Fluoroelastomer	Duro 90	Black may be substituted when brown not available
# OR-04382-533-VBR75-327	43.82 <i>1.725</i>	5.33 <i>0.210</i>	Brown Fluoroelastomer	Duro 75	Black may be substituted when brown not available
OR-04400-200-VBR75	44.00 <i>1.732</i>	2.00 <i>0.079</i>	Brown Fluoroelastomer	Duro 75	Black may be substituted when brown not available
# OR-04400-250-VBR75	44.00 <i>1.732</i>	2.50 <i>0.098</i>	Brown Fluoroelastomer	Duro 75	Black may be substituted when brown not available

Indicates item not stocked at time of printing - Please enquire for lead time

Page 66 of 194

E&OE Pricing and all details subject to change without notice - Copyright Miniature Bearings Australia Pty Ltd

MBA Size Listings are a guide to sizes only and must not be solely relied on for critical design information.

O-Rings - Fluoroelastomer

Part Number	Inside Diameter (I.D.) mm <i>inches</i>	Section (t) mm <i>inches</i>	Material	Hardness	Notes
# OR-04400-300-VBR75	44.00 <i>1.732</i>	3.00 <i>0.118</i>	Brown Fluoroelastomer	Duro 75	Black may be substituted when brown not available
# OR-04400-350-VBR75	44.00 <i>1.732</i>	3.50 <i>0.138</i>	Brown Fluoroelastomer	Duro 75	Black may be substituted when brown not available
# OR-04400-400-VBR75	44.00 <i>1.732</i>	4.00 <i>0.157</i>	Brown Fluoroelastomer	Duro 75	Black may be substituted when brown not available
# OR-04400-500-VBR75	44.00 <i>1.732</i>	5.00 <i>0.197</i>	Brown Fluoroelastomer	Duro 75	Black may be substituted when brown not available
# OR-04404-353-VBR90-224	44.04 <i>1.734</i>	3.53 <i>0.139</i>	Brown Fluoroelastomer	Duro 90	Black may be substituted when brown not available
# OR-04404-353-VBR75-224	44.04 <i>1.734</i>	3.53 <i>0.139</i>	Brown Fluoroelastomer	Duro 75	Black may be substituted when brown not available
# OR-04412-262-VBR90-132	44.12 <i>1.737</i>	2.62 <i>0.103</i>	Brown Fluoroelastomer	Duro 90	Black may be substituted when brown not available
OR-04412-262-VBR75-132	44.12 <i>1.737</i>	2.62 <i>0.103</i>	Brown Fluoroelastomer	Duro 75	Black may be substituted when brown not available

Indicates item not stocked at time of printing - Please enquire for lead time

Page 67 of 194

E&OE Pricing and all details subject to change without notice - Copyright Miniature Bearings Australia Pty Ltd

MBA Size Listings are a guide to sizes only and must not be solely relied on for critical design information.

O-Rings - Fluoroelastomer

Part Number	Inside Diameter (I.D.) mm <i>inches</i>	Section (t) mm <i>inches</i>	Material	Hardness	Notes
# OR-04417-178-VBR90-031	44.17 <i>1.739</i>	1.78 <i>0.070</i>	Brown Fluoroelastomer	Duro 90	Black may be substituted when brown not available
# OR-04417-178-VBR75-031	44.17 <i>1.739</i>	1.78 <i>0.070</i>	Brown Fluoroelastomer	Duro 75	Black may be substituted when brown not available
OR-04417-178-VBL75-031	44.17 <i>1.739</i>	1.78 <i>0.070</i>	Black Fluoroelastomer	Duro 75	Black may be substituted when brown not available
# OR-04500-200-VBR75	45.00 <i>1.772</i>	2.00 <i>0.079</i>	Brown Fluoroelastomer	Duro 75	Black may be substituted when brown not available
# OR-04500-250-VBR75	45.00 <i>1.772</i>	2.50 <i>0.098</i>	Brown Fluoroelastomer	Duro 75	Black may be substituted when brown not available
# OR-04500-300-VBR75	45.00 <i>1.772</i>	3.00 <i>0.118</i>	Brown Fluoroelastomer	Duro 75	Black may be substituted when brown not available
# OR-04500-350-VBR75	45.00 <i>1.772</i>	3.50 <i>0.138</i>	Brown Fluoroelastomer	Duro 75	Black may be substituted when brown not available
# OR-04500-400-VBR75	45.00 <i>1.772</i>	4.00 <i>0.157</i>	Brown Fluoroelastomer	Duro 75	Black may be substituted when brown not available

Indicates item not stocked at time of printing - Please enquire for lead time

Page 68 of 194

E&OE Pricing and all details subject to change without notice - Copyright Miniature Bearings Australia Pty Ltd
MBA Size Listings are a guide to sizes only and must not be solely relied on for critical design information.

O-Rings - Fluoroelastomer

Part Number	Inside Diameter (I.D.) mm	Section (t) mm	Material	Hardness	Notes
	<i>inches</i>	<i>inches</i>			
# OR-04500-500-VBR75	45.00 <i>1.772</i>	5.00 <i>0.197</i>	Brown Fluoroelastomer	Duro 75	Black may be substituted when brown not available
# OR-04569-262-VBR75-133	45.69 <i>1.799</i>	2.62 <i>0.103</i>	Brown Fluoroelastomer	Duro 75	Black may be substituted when brown not available
# OR-04569-262-VBR90-133	45.69 <i>1.799</i>	2.62 <i>0.103</i>	Brown Fluoroelastomer	Duro 90	Black may be substituted when brown not available
# OR-04600-200-VBR75	46.00 <i>1.811</i>	2.00 <i>0.079</i>	Brown Fluoroelastomer	Duro 75	Black may be substituted when brown not available
# OR-04600-250-VBR75	46.00 <i>1.811</i>	2.50 <i>0.098</i>	Brown Fluoroelastomer	Duro 75	Black may be substituted when brown not available
# OR-04600-300-VBR75	46.00 <i>1.811</i>	3.00 <i>0.118</i>	Brown Fluoroelastomer	Duro 75	Black may be substituted when brown not available
# OR-04600-350-VBR75	46.00 <i>1.811</i>	3.50 <i>0.138</i>	Brown Fluoroelastomer	Duro 75	Black may be substituted when brown not available
# OR-04600-400-VBR75	46.00 <i>1.811</i>	4.00 <i>0.157</i>	Brown Fluoroelastomer	Duro 75	Black may be substituted when brown not available

Indicates item not stocked at time of printing - Please enquire for lead time

Page 69 of 194

E&OE Pricing and all details subject to change without notice - Copyright Miniature Bearings Australia Pty Ltd
MBA Size Listings are a guide to sizes only and must not be solely relied on for critical design information.

O-Rings - Fluoroelastomer

Part Number	Inside Diameter (I.D.) mm	Section (t) mm	Material	Hardness	Notes
	<i>inches</i>	<i>inches</i>			
# OR-04600-500-VBR75	46.00 <i>1.811</i>	5.00 <i>0.197</i>	Brown Fluoroelastomer	Duro 75	Black may be substituted when brown not available
# OR-04699-533-VBR75-328	46.99 <i>1.850</i>	5.33 <i>0.210</i>	Brown Fluoroelastomer	Duro 75	Black may be substituted when brown not available
# OR-04699-533-VBR90-328	46.99 <i>1.850</i>	5.33 <i>0.210</i>	Brown Fluoroelastomer	Duro 90	Black may be substituted when brown not available
# OR-04700-200-VBR75	47.00 <i>1.850</i>	2.00 <i>0.079</i>	Brown Fluoroelastomer	Duro 75	Black may be substituted when brown not available
# OR-04700-250-VBR75	47.00 <i>1.850</i>	2.50 <i>0.098</i>	Brown Fluoroelastomer	Duro 75	Black may be substituted when brown not available
# OR-04700-300-VBR75	47.00 <i>1.850</i>	3.00 <i>0.118</i>	Brown Fluoroelastomer	Duro 75	Black may be substituted when brown not available
# OR-04700-350-VBR75	47.00 <i>1.850</i>	3.50 <i>0.138</i>	Brown Fluoroelastomer	Duro 75	Black may be substituted when brown not available
# OR-04700-400-VBR75	47.00 <i>1.850</i>	4.00 <i>0.157</i>	Brown Fluoroelastomer	Duro 75	Black may be substituted when brown not available

Indicates item not stocked at time of printing - Please enquire for lead time

Page 70 of 194

E&OE Pricing and all details subject to change without notice - Copyright Miniature Bearings Australia Pty Ltd

MBA Size Listings are a guide to sizes only and must not be solely relied on for critical design information.

O-Rings - Fluoroelastomer

Part Number	Inside Diameter (I.D.) mm <i>inches</i>	Section (t) mm <i>inches</i>	Material	Hardness	Notes
# OR-04700-500-VBR75	47.00 <i>1.850</i>	5.00 <i>0.197</i>	Brown Fluoroelastomer	Duro 75	Black may be substituted when brown not available
# OR-04722-353-VBR90-225	47.22 <i>1.859</i>	3.53 <i>0.139</i>	Brown Fluoroelastomer	Duro 90	Black may be substituted when brown not available
# OR-04722-353-VBR75-225	47.22 <i>1.859</i>	3.53 <i>0.139</i>	Brown Fluoroelastomer	Duro 75	Black may be substituted when brown not available
# OR-04729-262-VBR75-134	47.29 <i>1.862</i>	2.62 <i>0.103</i>	Brown Fluoroelastomer	Duro 75	Black may be substituted when brown not available
# OR-04729-262-VBR90-134	47.29 <i>1.862</i>	2.62 <i>0.103</i>	Brown Fluoroelastomer	Duro 90	Black may be substituted when brown not available
# OR-04735-178-VBR90-032	47.35 <i>1.864</i>	1.78 <i>0.070</i>	Brown Fluoroelastomer	Duro 90	Black may be substituted when brown not available
# OR-04735-178-VBR75-032	47.35 <i>1.864</i>	1.78 <i>0.070</i>	Brown Fluoroelastomer	Duro 75	Black may be substituted when brown not available
OR-04800-200-VBR75	48.00 <i>1.890</i>	2.00 <i>0.079</i>	Brown Fluoroelastomer	Duro 75	Black may be substituted when brown not available

Indicates item not stocked at time of printing - Please enquire for lead time

Page 71 of 194

E&OE Pricing and all details subject to change without notice - Copyright Miniature Bearings Australia Pty Ltd
MBA Size Listings are a guide to sizes only and must not be solely relied on for critical design information.

O-Rings - Fluoroelastomer

Part Number	Inside Diameter (I.D.) mm <i>inches</i>	Section (t) mm <i>inches</i>	Material	Hardness	Notes
# OR-04800-250-VBR75	48.00 <i>1.890</i>	2.50 <i>0.098</i>	Brown Fluoroelastomer	Duro 75	Black may be substituted when brown not available
# OR-04800-300-VBR75	48.00 <i>1.890</i>	3.00 <i>0.118</i>	Brown Fluoroelastomer	Duro 75	Black may be substituted when brown not available
# OR-04800-350-VBR75	48.00 <i>1.890</i>	3.50 <i>0.138</i>	Brown Fluoroelastomer	Duro 75	Black may be substituted when brown not available
# OR-04800-400-VBR75	48.00 <i>1.890</i>	4.00 <i>0.157</i>	Brown Fluoroelastomer	Duro 75	Black may be substituted when brown not available
# OR-04800-500-VBR75	48.00 <i>1.890</i>	5.00 <i>0.197</i>	Brown Fluoroelastomer	Duro 75	Black may be substituted when brown not available
# OR-04890-262-VBR75-135	48.90 <i>1.925</i>	2.62 <i>0.103</i>	Brown Fluoroelastomer	Duro 75	Black may be substituted when brown not available
# OR-04890-262-VBR90-135	48.90 <i>1.925</i>	2.62 <i>0.103</i>	Brown Fluoroelastomer	Duro 90	Black may be substituted when brown not available
# OR-04900-300-VBR75	49.00 <i>1.929</i>	3.00 <i>0.118</i>	Brown Fluoroelastomer	Duro 75	Black may be substituted when brown not available

Indicates item not stocked at time of printing - Please enquire for lead time

Page 72 of 194

E&OE Pricing and all details subject to change without notice - Copyright Miniature Bearings Australia Pty Ltd
MBA Size Listings are a guide to sizes only and must not be solely relied on for critical design information.

O-Rings - Fluoroelastomer

Part Number	Inside Diameter (I.D.) mm <i>inches</i>	Section (t) mm <i>inches</i>	Material	Hardness	Notes
# OR-04900-350-VBR75	49.00 <i>1.929</i>	3.50 <i>0.138</i>	Brown Fluoroelastomer	Duro 75	Black may be substituted when brown not available
# OR-04900-500-VBR75	49.00 <i>1.929</i>	5.00 <i>0.197</i>	Brown Fluoroelastomer	Duro 75	Black may be substituted when brown not available
# OR-05000-200-VBR75	50.00 <i>1.969</i>	2.00 <i>0.079</i>	Brown Fluoroelastomer	Duro 75	Black may be substituted when brown not available
# OR-05000-250-VBR75	50.00 <i>1.969</i>	2.50 <i>0.098</i>	Brown Fluoroelastomer	Duro 75	Black may be substituted when brown not available
# OR-05000-300-VBR75	50.00 <i>1.969</i>	3.00 <i>0.118</i>	Brown Fluoroelastomer	Duro 75	Black may be substituted when brown not available
# OR-05000-350-VBR75	50.00 <i>1.969</i>	3.50 <i>0.138</i>	Brown Fluoroelastomer	Duro 75	Black may be substituted when brown not available
# OR-05000-400-VBR75	50.00 <i>1.969</i>	4.00 <i>0.157</i>	Brown Fluoroelastomer	Duro 75	Black may be substituted when brown not available
# OR-05000-500-VBR75	50.00 <i>1.969</i>	5.00 <i>0.197</i>	Brown Fluoroelastomer	Duro 75	Black may be substituted when brown not available

Indicates item not stocked at time of printing - Please enquire for lead time

Page 73 of 194

E&OE Pricing and all details subject to change without notice - Copyright Miniature Bearings Australia Pty Ltd
MBA Size Listings are a guide to sizes only and must not be solely relied on for critical design information.

O-Rings - Fluoroelastomer

Part Number	Inside Diameter (I.D.) mm <i>inches</i>	Section (t) mm <i>inches</i>	Material	Hardness	Notes
# OR-05017-533-VBR90-329	50.17 <i>1.975</i>	5.33 <i>0.210</i>	Brown Fluoroelastomer	Duro 90	Black may be substituted when brown not available
# OR-05017-533-VBR75-329	50.17 <i>1.975</i>	5.33 <i>0.210</i>	Brown Fluoroelastomer	Duro 75	Black may be substituted when brown not available
# OR-05039-353-VBR75-226	50.39 <i>1.984</i>	3.53 <i>0.139</i>	Brown Fluoroelastomer	Duro 75	Black may be substituted when brown not available
# OR-05039-353-VBR90-226	50.39 <i>1.984</i>	3.53 <i>0.139</i>	Brown Fluoroelastomer	Duro 90	Black may be substituted when brown not available
# OR-05047-262-VBR75-136	50.47 <i>1.987</i>	2.62 <i>0.103</i>	Brown Fluoroelastomer	Duro 75	Black may be substituted when brown not available
# OR-05047-262-VBR90-136	50.47 <i>1.987</i>	2.62 <i>0.103</i>	Brown Fluoroelastomer	Duro 90	Black may be substituted when brown not available
# OR-05052-178-VBR75-033	50.52 <i>1.989</i>	1.78 <i>0.070</i>	Brown Fluoroelastomer	Duro 75	Black may be substituted when brown not available
OR-05052-178-VBL75-033	50.52 <i>1.989</i>	1.78 <i>0.070</i>	Black Fluoroelastomer	Duro 75	Black may be substituted when brown not available

Indicates item not stocked at time of printing - Please enquire for lead time

Page 74 of 194

E&OE Pricing and all details subject to change without notice - Copyright Miniature Bearings Australia Pty Ltd
MBA Size Listings are a guide to sizes only and must not be solely relied on for critical design information.

O-Rings - Fluoroelastomer

Part Number	Inside Diameter (I.D.) mm	Section (t) mm	Material	Hardness	Notes
	<i>inches</i>	<i>inches</i>			
# OR-05052-178-VBR90-033	50.52 <i>1.989</i>	1.78 <i>0.070</i>	Brown Fluoroelastomer	Duro 90	Black may be substituted when brown not available
# OR-05100-300-VBR75	51.00 <i>2.008</i>	3.00 <i>0.118</i>	Brown Fluoroelastomer	Duro 75	Black may be substituted when brown not available
# OR-05100-350-VBR75	51.00 <i>2.008</i>	3.50 <i>0.138</i>	Brown Fluoroelastomer	Duro 75	Black may be substituted when brown not available
# OR-05200-200-VBR75	52.00 <i>2.047</i>	2.00 <i>0.079</i>	Brown Fluoroelastomer	Duro 75	Black may be substituted when brown not available
# OR-05200-300-VBR75	52.00 <i>2.047</i>	3.00 <i>0.118</i>	Brown Fluoroelastomer	Duro 75	Black may be substituted when brown not available
# OR-05200-400-VBR75	52.00 <i>2.047</i>	4.00 <i>0.157</i>	Brown Fluoroelastomer	Duro 75	Black may be substituted when brown not available
# OR-05200-500-VBR75	52.00 <i>2.047</i>	5.00 <i>0.197</i>	Brown Fluoroelastomer	Duro 75	Black may be substituted when brown not available
# OR-05207-262-VBR90-137	52.07 <i>2.050</i>	2.62 <i>0.103</i>	Brown Fluoroelastomer	Duro 90	Black may be substituted when brown not available

Indicates item not stocked at time of printing - Please enquire for lead time

Page 75 of 194

E&OE Pricing and all details subject to change without notice - Copyright Miniature Bearings Australia Pty Ltd
MBA Size Listings are a guide to sizes only and must not be solely relied on for critical design information.

O-Rings - Fluoroelastomer

Part Number	Inside Diameter (I.D.) mm	Section (t) mm	Material	Hardness	Notes
	<i>inches</i>	<i>inches</i>			
# OR-05207-262-VBR75-137	52.07 <i>2.050</i>	2.62 <i>0.103</i>	Brown Fluoroelastomer	Duro 75	Black may be substituted when brown not available
# OR-05300-200-VBR75	53.00 <i>2.087</i>	2.00 <i>0.079</i>	Brown Fluoroelastomer	Duro 75	Black may be substituted when brown not available
# OR-05300-250-VBR75	53.00 <i>2.087</i>	2.50 <i>0.098</i>	Brown Fluoroelastomer	Duro 75	Black may be substituted when brown not available
# OR-05300-300-VBR75	53.00 <i>2.087</i>	3.00 <i>0.118</i>	Brown Fluoroelastomer	Duro 75	Black may be substituted when brown not available
# OR-05300-400-VBR75	53.00 <i>2.087</i>	4.00 <i>0.157</i>	Brown Fluoroelastomer	Duro 75	Black may be substituted when brown not available
# OR-05300-500-VBR75	53.00 <i>2.087</i>	5.00 <i>0.197</i>	Brown Fluoroelastomer	Duro 75	Black may be substituted when brown not available
# OR-05309-300-VBR75-928	53.09 <i>2.090</i>	3.00 <i>0.118</i>	Brown Fluoroelastomer	Duro 75	Black may be substituted when brown not available
# OR-05309-300-VBR90-928	53.09 <i>2.090</i>	3.00 <i>0.118</i>	Brown Fluoroelastomer	Duro 90	Black may be substituted when brown not available

Indicates item not stocked at time of printing - Please enquire for lead time

Page 76 of 194

E&OE Pricing and all details subject to change without notice - Copyright Miniature Bearings Australia Pty Ltd
MBA Size Listings are a guide to sizes only and must not be solely relied on for critical design information.

O-Rings - Fluoroelastomer

Part Number	Inside Diameter (I.D.) mm	Section (t) mm	Material	Hardness	Notes
	<i>inches</i>	<i>inches</i>			
# OR-05334-533-VBR90-330	53.34	5.33	Brown Fluoroelastomer	Duro 90	Black may be substituted when brown not available
	<i>2.100</i>	<i>0.210</i>			
# OR-05334-533-VBR75-330	53.34	5.33	Brown Fluoroelastomer	Duro 75	Black may be substituted when brown not available
	<i>2.100</i>	<i>0.210</i>			
OR-05357-353-VBR75-227	53.57	3.53	Brown Fluoroelastomer	Duro 75	Black may be substituted when brown not available
	<i>2.109</i>	<i>0.139</i>			
# OR-05357-353-VBR90-227	53.57	3.53	Brown Fluoroelastomer	Duro 90	Black may be substituted when brown not available
	<i>2.109</i>	<i>0.139</i>			
# OR-05364-262-VBR75-138	53.64	2.62	Brown Fluoroelastomer	Duro 75	Black may be substituted when brown not available
	<i>2.112</i>	<i>0.103</i>			
# OR-05364-262-VBR90-138	53.64	2.62	Brown Fluoroelastomer	Duro 90	Black may be substituted when brown not available
	<i>2.112</i>	<i>0.103</i>			
# OR-05370-178-VBR90-034	53.70	1.78	Brown Fluoroelastomer	Duro 90	Black may be substituted when brown not available
	<i>2.114</i>	<i>0.070</i>			
OR-05370-178-VBL75-034	53.70	1.78	Black Fluoroelastomer	Duro 75	Black may be substituted when brown not available
	<i>2.114</i>	<i>0.070</i>			

Indicates item not stocked at time of printing - Please enquire for lead time

Page 77 of 194

E&OE Pricing and all details subject to change without notice - Copyright Miniature Bearings Australia Pty Ltd
MBA Size Listings are a guide to sizes only and must not be solely relied on for critical design information.

O-Rings - Fluoroelastomer

Part Number	Inside Diameter (I.D.) mm	Section (t) mm	Material	Hardness	Notes
	<i>inches</i>	<i>inches</i>			
OR-05370-178-VBR75-034	53.70	1.78	Brown Fluoroelastomer	Duro 75	Black may be substituted when brown not available
	<i>2.114</i>	<i>0.070</i>			
# OR-05400-200-VBR75	54.00	2.00	Brown Fluoroelastomer	Duro 75	Black may be substituted when brown not available
	<i>2.126</i>	<i>0.079</i>			
# OR-05400-250-VBR75	54.00	2.50	Brown Fluoroelastomer	Duro 75	Black may be substituted when brown not available
	<i>2.126</i>	<i>0.098</i>			
# OR-05400-300-VBR75	54.00	3.00	Brown Fluoroelastomer	Duro 75	Black may be substituted when brown not available
	<i>2.126</i>	<i>0.118</i>			
# OR-05400-350-VBR75	54.00	3.50	Brown Fluoroelastomer	Duro 75	Black may be substituted when brown not available
	<i>2.126</i>	<i>0.138</i>			
# OR-05400-400-VBR75	54.00	4.00	Brown Fluoroelastomer	Duro 75	Black may be substituted when brown not available
	<i>2.126</i>	<i>0.157</i>			
# OR-05500-200-VBR75	55.00	2.00	Brown Fluoroelastomer	Duro 75	Black may be substituted when brown not available
	<i>2.165</i>	<i>0.079</i>			
# OR-05500-250-VBR75	55.00	2.50	Brown Fluoroelastomer	Duro 75	Black may be substituted when brown not available
	<i>2.165</i>	<i>0.098</i>			

Indicates item not stocked at time of printing - Please enquire for lead time

Page 78 of 194

E&OE Pricing and all details subject to change without notice - Copyright Miniature Bearings Australia Pty Ltd

MBA Size Listings are a guide to sizes only and must not be solely relied on for critical design information.

O-Rings - Fluoroelastomer

Part Number	Inside Diameter (I.D.) mm <i>inches</i>	Section (t) mm <i>inches</i>	Material	Hardness	Notes
# OR-05500-300-VBR75	55.00 <i>2.165</i>	3.00 <i>0.118</i>	Brown Fluoroelastomer	Duro 75	Black may be substituted when brown not available
# OR-05500-350-VBR75	55.00 <i>2.165</i>	3.50 <i>0.138</i>	Brown Fluoroelastomer	Duro 75	Black may be substituted when brown not available
# OR-05500-400-VBR75	55.00 <i>2.165</i>	4.00 <i>0.157</i>	Brown Fluoroelastomer	Duro 75	Black may be substituted when brown not available
# OR-05500-500-VBR75	55.00 <i>2.165</i>	5.00 <i>0.197</i>	Brown Fluoroelastomer	Duro 75	Black may be substituted when brown not available
# OR-05525-262-VBR90-139	55.25 <i>2.175</i>	2.62 <i>0.103</i>	Brown Fluoroelastomer	Duro 90	Black may be substituted when brown not available
# OR-05525-262-VBR75-139	55.25 <i>2.175</i>	2.62 <i>0.103</i>	Brown Fluoroelastomer	Duro 75	Black may be substituted when brown not available
# OR-05600-200-VBR75	56.00 <i>2.205</i>	2.00 <i>0.079</i>	Brown Fluoroelastomer	Duro 75	Black may be substituted when brown not available
OR-05600-250-VBR75	56.00 <i>2.205</i>	2.50 <i>0.098</i>	Brown Fluoroelastomer	Duro 75	Black may be substituted when brown not available

Indicates item not stocked at time of printing - Please enquire for lead time

Page 79 of 194

E&OE Pricing and all details subject to change without notice - Copyright Miniature Bearings Australia Pty Ltd
MBA Size Listings are a guide to sizes only and must not be solely relied on for critical design information.

O-Rings - Fluoroelastomer

Part Number	Inside Diameter (I.D.) mm <i>inches</i>	Section (t) mm <i>inches</i>	Material	Hardness	Notes
# OR-05600-300-VBR75	56.00 <i>2.205</i>	3.00 <i>0.118</i>	Brown Fluoroelastomer	Duro 75	Black may be substituted when brown not available
# OR-05652-533-VBR90-331	56.52 <i>2.225</i>	5.33 <i>0.210</i>	Brown Fluoroelastomer	Duro 90	Black may be substituted when brown not available
# OR-05652-533-VBR75-331	56.52 <i>2.225</i>	5.33 <i>0.210</i>	Brown Fluoroelastomer	Duro 75	Black may be substituted when brown not available
# OR-05674-353-VBR90-228	56.74 <i>2.234</i>	3.53 <i>0.139</i>	Brown Fluoroelastomer	Duro 90	Black may be substituted when brown not available
# OR-05674-353-VBR75-228	56.74 <i>2.234</i>	3.53 <i>0.139</i>	Brown Fluoroelastomer	Duro 75	Black may be substituted when brown not available
# OR-05682-262-VBR75-140	56.82 <i>2.237</i>	2.62 <i>0.103</i>	Brown Fluoroelastomer	Duro 75	Black may be substituted when brown not available
# OR-05682-262-VBR90-140	56.82 <i>2.237</i>	2.62 <i>0.103</i>	Brown Fluoroelastomer	Duro 90	Black may be substituted when brown not available
# OR-05687-178-VBR75-035	56.87 <i>2.239</i>	1.78 <i>0.070</i>	Brown Fluoroelastomer	Duro 75	Black may be substituted when brown not available

Indicates item not stocked at time of printing - Please enquire for lead time

Page 80 of 194

E&OE Pricing and all details subject to change without notice - Copyright Miniature Bearings Australia Pty Ltd
MBA Size Listings are a guide to sizes only and must not be solely relied on for critical design information.

O-Rings - Fluoroelastomer

Part Number	Inside Diameter (I.D.) mm <i>inches</i>	Section (t) mm <i>inches</i>	Material	Hardness	Notes
# OR-05687-178-VBR90-035	56.87 <i>2.239</i>	1.78 <i>0.070</i>	Brown Fluoroelastomer	Duro 90	Black may be substituted when brown not available
# OR-05700-200-VBR75	57.00 <i>2.244</i>	2.00 <i>0.079</i>	Brown Fluoroelastomer	Duro 75	Black may be substituted when brown not available
# OR-05700-250-VBR75	57.00 <i>2.244</i>	2.50 <i>0.098</i>	Brown Fluoroelastomer	Duro 75	Black may be substituted when brown not available
# OR-05700-300-VBR75	57.00 <i>2.244</i>	3.00 <i>0.118</i>	Brown Fluoroelastomer	Duro 75	Black may be substituted when brown not available
# OR-05700-350-VBR75	57.00 <i>2.244</i>	3.50 <i>0.138</i>	Brown Fluoroelastomer	Duro 75	Black may be substituted when brown not available
# OR-05700-400-VBR75	57.00 <i>2.244</i>	4.00 <i>0.157</i>	Brown Fluoroelastomer	Duro 75	Black may be substituted when brown not available
# OR-05800-200-VBR75	58.00 <i>2.283</i>	2.00 <i>0.079</i>	Brown Fluoroelastomer	Duro 75	Black may be substituted when brown not available
# OR-05800-250-VBR75	58.00 <i>2.283</i>	2.50 <i>0.098</i>	Brown Fluoroelastomer	Duro 75	Black may be substituted when brown not available

Indicates item not stocked at time of printing - Please enquire for lead time

Page 81 of 194

E&OE Pricing and all details subject to change without notice - Copyright Miniature Bearings Australia Pty Ltd
MBA Size Listings are a guide to sizes only and must not be solely relied on for critical design information.

O-Rings - Fluoroelastomer

Part Number	Inside Diameter (I.D.) mm <i>inches</i>	Section (t) mm <i>inches</i>	Material	Hardness	Notes
# OR-05800-300-VBR75	58.00 <i>2.283</i>	3.00 <i>0.118</i>	Brown Fluoroelastomer	Duro 75	Black may be substituted when brown not available
# OR-05800-350-VBR75	58.00 <i>2.283</i>	3.50 <i>0.138</i>	Brown Fluoroelastomer	Duro 75	Black may be substituted when brown not available
# OR-05800-400-VBR75	58.00 <i>2.283</i>	4.00 <i>0.157</i>	Brown Fluoroelastomer	Duro 75	Black may be substituted when brown not available
# OR-05800-500-VBR75	58.00 <i>2.283</i>	5.00 <i>0.197</i>	Brown Fluoroelastomer	Duro 75	Black may be substituted when brown not available
# OR-05842-262-VBR90-141	58.42 <i>2.300</i>	2.62 <i>0.103</i>	Brown Fluoroelastomer	Duro 90	Black may be substituted when brown not available
# OR-05842-262-VBR75-141	58.42 <i>2.300</i>	2.62 <i>0.103</i>	Brown Fluoroelastomer	Duro 75	Black may be substituted when brown not available
# OR-05900-300-VBR75	59.00 <i>2.323</i>	3.00 <i>0.118</i>	Brown Fluoroelastomer	Duro 75	Black may be substituted when brown not available
# OR-05900-500-VBR75	59.00 <i>2.323</i>	5.00 <i>0.197</i>	Brown Fluoroelastomer	Duro 75	Black may be substituted when brown not available

Indicates item not stocked at time of printing - Please enquire for lead time

Page 82 of 194

E&OE Pricing and all details subject to change without notice - Copyright Miniature Bearings Australia Pty Ltd
MBA Size Listings are a guide to sizes only and must not be solely relied on for critical design information.

O-Rings - Fluoroelastomer

Part Number	Inside Diameter (I.D.) mm <i>inches</i>	Section (t) mm <i>inches</i>	Material	Hardness	Notes
# OR-05936-300-VBR75-932	59.36 <i>2.337</i>	3.00 <i>0.118</i>	Brown Fluoroelastomer	Duro 75	Black may be substituted when brown not available
# OR-05936-300-VBR90-932	59.36 <i>2.337</i>	3.00 <i>0.118</i>	Brown Fluoroelastomer	Duro 90	Black may be substituted when brown not available
# OR-05969-533-VBR75-332	59.69 <i>2.350</i>	5.33 <i>0.210</i>	Brown Fluoroelastomer	Duro 75	Black may be substituted when brown not available
# OR-05969-533-VBR90-332	59.69 <i>2.350</i>	5.33 <i>0.210</i>	Brown Fluoroelastomer	Duro 90	Black may be substituted when brown not available
# OR-05992-353-VBR90-229	59.92 <i>2.359</i>	3.53 <i>0.139</i>	Brown Fluoroelastomer	Duro 90	Black may be substituted when brown not available
# OR-05992-353-VBR75-229	59.92 <i>2.359</i>	3.53 <i>0.139</i>	Brown Fluoroelastomer	Duro 75	Black may be substituted when brown not available
# OR-05999-262-VBR90-142	59.99 <i>2.362</i>	2.62 <i>0.103</i>	Brown Fluoroelastomer	Duro 90	Black may be substituted when brown not available
OR-05999-262-VBR75-142	59.99 <i>2.362</i>	2.62 <i>0.103</i>	Brown Fluoroelastomer	Duro 75	Black may be substituted when brown not available

Indicates item not stocked at time of printing - Please enquire for lead time

Page 83 of 194

E&OE Pricing and all details subject to change without notice - Copyright Miniature Bearings Australia Pty Ltd
MBA Size Listings are a guide to sizes only and must not be solely relied on for critical design information.

O-Rings - Fluoroelastomer

Part Number	Inside Diameter (I.D.) mm <i>inches</i>	Section (t) mm <i>inches</i>	Material	Hardness	Notes
# OR-06000-200-VBR75	60.00 <i>2.362</i>	2.00 <i>0.079</i>	Brown Fluoroelastomer	Duro 75	Black may be substituted when brown not available
# OR-06000-250-VBR75	60.00 <i>2.362</i>	2.50 <i>0.098</i>	Brown Fluoroelastomer	Duro 75	Black may be substituted when brown not available
# OR-06000-300-VBR75	60.00 <i>2.362</i>	3.00 <i>0.118</i>	Brown Fluoroelastomer	Duro 75	Black may be substituted when brown not available
# OR-06000-350-VBR75	60.00 <i>2.362</i>	3.50 <i>0.138</i>	Brown Fluoroelastomer	Duro 75	Black may be substituted when brown not available
# OR-06000-400-VBR75	60.00 <i>2.362</i>	4.00 <i>0.157</i>	Brown Fluoroelastomer	Duro 75	Black may be substituted when brown not available
# OR-06000-500-VBR75	60.00 <i>2.362</i>	5.00 <i>0.197</i>	Brown Fluoroelastomer	Duro 75	Black may be substituted when brown not available
# OR-06005-178-VBR90-036	60.05 <i>2.364</i>	1.78 <i>0.070</i>	Brown Fluoroelastomer	Duro 90	Black may be substituted when brown not available
# OR-06005-178-VBR75-036	60.05 <i>2.364</i>	1.78 <i>0.070</i>	Brown Fluoroelastomer	Duro 75	Black may be substituted when brown not available

Indicates item not stocked at time of printing - Please enquire for lead time

Page 84 of 194

E&OE Pricing and all details subject to change without notice - Copyright Miniature Bearings Australia Pty Ltd
MBA Size Listings are a guide to sizes only and must not be solely relied on for critical design information.

O-Rings - Fluoroelastomer

Part Number	Inside Diameter (I.D.) mm <i>inches</i>	Section (t) mm <i>inches</i>	Material	Hardness	Notes
# OR-06100-250-VBR75	61.00 <i>2.402</i>	2.50 <i>0.098</i>	Brown Fluoroelastomer	Duro 75	Black may be substituted when brown not available
# OR-06100-500-VBR75	61.00 <i>2.402</i>	5.00 <i>0.197</i>	Brown Fluoroelastomer	Duro 75	Black may be substituted when brown not available
# OR-06160-262-VBR75-143	61.60 <i>2.425</i>	2.62 <i>0.103</i>	Brown Fluoroelastomer	Duro 75	Black may be substituted when brown not available
# OR-06160-262-VBR90-143	61.60 <i>2.425</i>	2.62 <i>0.103</i>	Brown Fluoroelastomer	Duro 90	Black may be substituted when brown not available
# OR-06200-200-VBR75	62.00 <i>2.441</i>	2.00 <i>0.079</i>	Brown Fluoroelastomer	Duro 75	Black may be substituted when brown not available
# OR-06200-250-VBR75	62.00 <i>2.441</i>	2.50 <i>0.098</i>	Brown Fluoroelastomer	Duro 75	Black may be substituted when brown not available
# OR-06200-300-VBR75	62.00 <i>2.441</i>	3.00 <i>0.118</i>	Brown Fluoroelastomer	Duro 75	Black may be substituted when brown not available
# OR-06200-400-VBR75	62.00 <i>2.441</i>	4.00 <i>0.157</i>	Brown Fluoroelastomer	Duro 75	Black may be substituted when brown not available

Indicates item not stocked at time of printing - Please enquire for lead time

Page 85 of 194

E&OE Pricing and all details subject to change without notice - Copyright Miniature Bearings Australia Pty Ltd

MBA Size Listings are a guide to sizes only and must not be solely relied on for critical design information.

O-Rings - Fluoroelastomer

Part Number	Inside Diameter (I.D.) mm <i>inches</i>	Section (t) mm <i>inches</i>	Material	Hardness	Notes
# OR-06200-500-VBR75	62.00 <i>2.441</i>	5.00 <i>0.197</i>	Brown Fluoroelastomer	Duro 75	Black may be substituted when brown not available
# OR-06287-533-VBR75-333	62.87 <i>2.475</i>	5.33 <i>0.210</i>	Brown Fluoroelastomer	Duro 75	Black may be substituted when brown not available
# OR-06287-533-VBR90-333	62.87 <i>2.475</i>	5.33 <i>0.210</i>	Brown Fluoroelastomer	Duro 90	Black may be substituted when brown not available
# OR-06300-200-VBR75	63.00 <i>2.480</i>	2.00 <i>0.079</i>	Brown Fluoroelastomer	Duro 75	Black may be substituted when brown not available
# OR-06300-250-VBR75	63.00 <i>2.480</i>	2.50 <i>0.098</i>	Brown Fluoroelastomer	Duro 75	Black may be substituted when brown not available
# OR-06300-300-VBR75	63.00 <i>2.480</i>	3.00 <i>0.118</i>	Brown Fluoroelastomer	Duro 75	Black may be substituted when brown not available
# OR-06300-400-VBR75	63.00 <i>2.480</i>	4.00 <i>0.157</i>	Brown Fluoroelastomer	Duro 75	Black may be substituted when brown not available
# OR-06300-500-VBR75	63.00 <i>2.480</i>	5.00 <i>0.197</i>	Brown Fluoroelastomer	Duro 75	Black may be substituted when brown not available

Indicates item not stocked at time of printing - Please enquire for lead time

Page 86 of 194

E&OE Pricing and all details subject to change without notice - Copyright Miniature Bearings Australia Pty Ltd

MBA Size Listings are a guide to sizes only and must not be solely relied on for critical design information.

O-Rings - Fluoroelastomer

Part Number	Inside Diameter (I.D.) mm <i>inches</i>	Section (t) mm <i>inches</i>	Material	Hardness	Notes
# OR-06309-353-VBR75-230	63.09 <i>2.484</i>	3.53 <i>0.139</i>	Brown Fluoroelastomer	Duro 75	Black may be substituted when brown not available
# OR-06309-353-VBR90-230	63.09 <i>2.484</i>	3.53 <i>0.139</i>	Brown Fluoroelastomer	Duro 90	Black may be substituted when brown not available
# OR-06317-262-VBR75-144	63.17 <i>2.487</i>	2.62 <i>0.103</i>	Brown Fluoroelastomer	Duro 75	Black may be substituted when brown not available
# OR-06317-262-VBR90-144	63.17 <i>2.487</i>	2.62 <i>0.103</i>	Brown Fluoroelastomer	Duro 90	Black may be substituted when brown not available
OR-06322-178-VBR75-037	63.22 <i>2.489</i>	1.78 <i>0.070</i>	Brown Fluoroelastomer	Duro 75	Black may be substituted when brown not available
# OR-06322-178-VBR90-037	63.22 <i>2.489</i>	1.78 <i>0.070</i>	Brown Fluoroelastomer	Duro 90	Black may be substituted when brown not available
# OR-06400-200-VBR75	64.00 <i>2.520</i>	2.00 <i>0.079</i>	Brown Fluoroelastomer	Duro 75	Black may be substituted when brown not available
# OR-06400-300-VBR75	64.00 <i>2.520</i>	3.00 <i>0.118</i>	Brown Fluoroelastomer	Duro 75	Black may be substituted when brown not available

Indicates item not stocked at time of printing - Please enquire for lead time

Page 87 of 194

E&OE Pricing and all details subject to change without notice - Copyright Miniature Bearings Australia Pty Ltd
MBA Size Listings are a guide to sizes only and must not be solely relied on for critical design information.

O-Rings - Fluoroelastomer

Part Number	Inside Diameter (I.D.) mm <i>inches</i>	Section (t) mm <i>inches</i>	Material	Hardness	Notes
# OR-06400-350-VBR75	64.00 <i>2.520</i>	3.50 <i>0.138</i>	Brown Fluoroelastomer	Duro 75	Black may be substituted when brown not available
# OR-06400-400-VBR75	64.00 <i>2.520</i>	4.00 <i>0.157</i>	Brown Fluoroelastomer	Duro 75	Black may be substituted when brown not available
# OR-06477-262-VBR75-145	64.77 <i>2.550</i>	2.62 <i>0.103</i>	Brown Fluoroelastomer	Duro 75	Black may be substituted when brown not available
# OR-06477-262-VBR90-145	64.77 <i>2.550</i>	2.62 <i>0.103</i>	Brown Fluoroelastomer	Duro 90	Black may be substituted when brown not available
# OR-06500-200-VBR75	65.00 <i>2.559</i>	2.00 <i>0.079</i>	Brown Fluoroelastomer	Duro 75	Black may be substituted when brown not available
# OR-06500-250-VBR75	65.00 <i>2.559</i>	2.50 <i>0.098</i>	Brown Fluoroelastomer	Duro 75	Black may be substituted when brown not available
# OR-06500-300-VBR75	65.00 <i>2.559</i>	3.00 <i>0.118</i>	Brown Fluoroelastomer	Duro 75	Black may be substituted when brown not available
# OR-06500-350-VBR75	65.00 <i>2.559</i>	3.50 <i>0.138</i>	Brown Fluoroelastomer	Duro 75	Black may be substituted when brown not available

Indicates item not stocked at time of printing - Please enquire for lead time

Page 88 of 194

E&OE Pricing and all details subject to change without notice - Copyright Miniature Bearings Australia Pty Ltd
MBA Size Listings are a guide to sizes only and must not be solely relied on for critical design information.

O-Rings - Fluoroelastomer

Part Number	Inside Diameter (I.D.) mm <i>inches</i>	Section (t) mm <i>inches</i>	Material	Hardness	Notes
# OR-06500-400-VBR75	65.00 <i>2.559</i>	4.00 <i>0.157</i>	Brown Fluoroelastomer	Duro 75	Black may be substituted when brown not available
# OR-06500-500-VBR75	65.00 <i>2.559</i>	5.00 <i>0.197</i>	Brown Fluoroelastomer	Duro 75	Black may be substituted when brown not available
# OR-06600-200-VBR75	66.00 <i>2.598</i>	2.00 <i>0.079</i>	Brown Fluoroelastomer	Duro 75	Black may be substituted when brown not available
# OR-06600-300-VBR75	66.00 <i>2.598</i>	3.00 <i>0.118</i>	Brown Fluoroelastomer	Duro 75	Black may be substituted when brown not available
# OR-06600-350-VBR75	66.00 <i>2.598</i>	3.50 <i>0.138</i>	Brown Fluoroelastomer	Duro 75	Black may be substituted when brown not available
# OR-06600-500-VBR75	66.00 <i>2.598</i>	5.00 <i>0.197</i>	Brown Fluoroelastomer	Duro 75	Black may be substituted when brown not available
# OR-06604-533-VBR90-334	66.04 <i>2.600</i>	5.33 <i>0.210</i>	Brown Fluoroelastomer	Duro 90	Black may be substituted when brown not available
# OR-06604-533-VBR75-334	66.04 <i>2.600</i>	5.33 <i>0.210</i>	Brown Fluoroelastomer	Duro 75	Black may be substituted when brown not available

Indicates item not stocked at time of printing - Please enquire for lead time

Page 89 of 194

E&OE Pricing and all details subject to change without notice - Copyright Miniature Bearings Australia Pty Ltd
MBA Size Listings are a guide to sizes only and must not be solely relied on for critical design information.

O-Rings - Fluoroelastomer

Part Number	Inside Diameter (I.D.) mm	Section (t) mm	Material	Hardness	Notes
	<i>inches</i>	<i>inches</i>			
# OR-06627-353-VBR90-231	66.27 <i>2.609</i>	3.53 <i>0.139</i>	Brown Fluoroelastomer	Duro 90	Black may be substituted when brown not available
# OR-06627-353-VBR75-231	66.27 <i>2.609</i>	3.53 <i>0.139</i>	Brown Fluoroelastomer	Duro 75	Black may be substituted when brown not available
# OR-06634-262-VBR75-146	66.34 <i>2.612</i>	2.62 <i>0.103</i>	Brown Fluoroelastomer	Duro 75	Black may be substituted when brown not available
# OR-06634-262-VBR90-146	66.34 <i>2.612</i>	2.62 <i>0.103</i>	Brown Fluoroelastomer	Duro 90	Black may be substituted when brown not available
# OR-06640-178-VBR75-038	66.40 <i>2.614</i>	1.78 <i>0.070</i>	Brown Fluoroelastomer	Duro 75	Black may be substituted when brown not available
# OR-06640-178-VBR90-038	66.40 <i>2.614</i>	1.78 <i>0.070</i>	Brown Fluoroelastomer	Duro 90	Black may be substituted when brown not available
# OR-06700-200-VBR75	67.00 <i>2.638</i>	2.00 <i>0.079</i>	Brown Fluoroelastomer	Duro 75	Black may be substituted when brown not available
# OR-06700-300-VBR75	67.00 <i>2.638</i>	3.00 <i>0.118</i>	Brown Fluoroelastomer	Duro 75	Black may be substituted when brown not available

Indicates item not stocked at time of printing - Please enquire for lead time

Page 90 of 194

E&OE Pricing and all details subject to change without notice - Copyright Miniature Bearings Australia Pty Ltd
MBA Size Listings are a guide to sizes only and must not be solely relied on for critical design information.

O-Rings - Fluoroelastomer

Part Number	Inside Diameter (I.D.) mm <i>inches</i>	Section (t) mm <i>inches</i>	Material	Hardness	Notes
# OR-06700-400-VBR75	67.00 <i>2.638</i>	4.00 <i>0.157</i>	Brown Fluoroelastomer	Duro 75	Black may be substituted when brown not available
# OR-06700-500-VBR75	67.00 <i>2.638</i>	5.00 <i>0.197</i>	Brown Fluoroelastomer	Duro 75	Black may be substituted when brown not available
# OR-06795-262-VBR75-147	67.95 <i>2.675</i>	2.62 <i>0.103</i>	Brown Fluoroelastomer	Duro 75	Black may be substituted when brown not available
# OR-06795-262-VBR90-147	67.95 <i>2.675</i>	2.62 <i>0.103</i>	Brown Fluoroelastomer	Duro 90	Black may be substituted when brown not available
# OR-06800-200-VBR75	68.00 <i>2.677</i>	2.00 <i>0.079</i>	Brown Fluoroelastomer	Duro 75	Black may be substituted when brown not available
# OR-06800-250-VBR75	68.00 <i>2.677</i>	2.50 <i>0.098</i>	Brown Fluoroelastomer	Duro 75	Black may be substituted when brown not available
# OR-06800-300-VBR75	68.00 <i>2.677</i>	3.00 <i>0.118</i>	Brown Fluoroelastomer	Duro 75	Black may be substituted when brown not available
# OR-06800-350-VBR75	68.00 <i>2.677</i>	3.50 <i>0.138</i>	Brown Fluoroelastomer	Duro 75	Black may be substituted when brown not available

Indicates item not stocked at time of printing - Please enquire for lead time

Page 91 of 194

E&OE Pricing and all details subject to change without notice - Copyright Miniature Bearings Australia Pty Ltd
MBA Size Listings are a guide to sizes only and must not be solely relied on for critical design information.

O-Rings - Fluoroelastomer

Part Number	Inside Diameter (I.D.) mm	Section (t) mm	Material	Hardness	Notes
	<i>inches</i>	<i>inches</i>			
# OR-06800-400-VBR75	68.00 <i>2.677</i>	4.00 <i>0.157</i>	Brown Fluoroelastomer	Duro 75	Black may be substituted when brown not available
# OR-06800-500-VBR75	68.00 <i>2.677</i>	5.00 <i>0.197</i>	Brown Fluoroelastomer	Duro 75	Black may be substituted when brown not available
# OR-06900-200-VBR75	69.00 <i>2.717</i>	2.00 <i>0.079</i>	Brown Fluoroelastomer	Duro 75	Black may be substituted when brown not available
# OR-06900-250-VBR75	69.00 <i>2.717</i>	2.50 <i>0.098</i>	Brown Fluoroelastomer	Duro 75	Black may be substituted when brown not available
# OR-06900-300-VBR75	69.00 <i>2.717</i>	3.00 <i>0.118</i>	Brown Fluoroelastomer	Duro 75	Black may be substituted when brown not available
# OR-06922-533-VBR90-335	69.22 <i>2.725</i>	5.33 <i>0.210</i>	Brown Fluoroelastomer	Duro 90	Black may be substituted when brown not available
# OR-06922-533-VBR75-335	69.22 <i>2.725</i>	5.33 <i>0.210</i>	Brown Fluoroelastomer	Duro 75	Black may be substituted when brown not available
# OR-06944-353-VBR90-232	69.44 <i>2.734</i>	3.53 <i>0.139</i>	Brown Fluoroelastomer	Duro 90	Black may be substituted when brown not available

Indicates item not stocked at time of printing - Please enquire for lead time

Page 92 of 194

E&OE Pricing and all details subject to change without notice - Copyright Miniature Bearings Australia Pty Ltd
MBA Size Listings are a guide to sizes only and must not be solely relied on for critical design information.

O-Rings - Fluoroelastomer

Part Number	Inside Diameter (I.D.) mm	Section (t) mm	Material	Hardness	Notes
	<i>inches</i>	<i>inches</i>			
OR-06944-353-VBR75-232	69.44 <i>2.734</i>	3.53 <i>0.139</i>	Brown Fluoroelastomer	Duro 75	Black may be substituted when brown not available
# OR-06952-262-VBR90-148	69.52 <i>2.737</i>	2.62 <i>0.103</i>	Brown Fluoroelastomer	Duro 90	Black may be substituted when brown not available
# OR-06952-262-VBR75-148	69.52 <i>2.737</i>	2.62 <i>0.103</i>	Brown Fluoroelastomer	Duro 75	Black may be substituted when brown not available
# OR-06957-178-VBR75-039	69.57 <i>2.739</i>	1.78 <i>0.070</i>	Brown Fluoroelastomer	Duro 75	Black may be substituted when brown not available
OR-06957-178-VBL75-039	69.57 <i>2.739</i>	1.78 <i>0.070</i>	Black Fluoroelastomer	Duro 75	Black may be substituted when brown not available
OR-07000-200-VBR75	70.00 <i>2.756</i>	2.00 <i>0.079</i>	Brown Fluoroelastomer	Duro 75	Black may be substituted when brown not available
# OR-07000-250-VBR75	70.00 <i>2.756</i>	2.50 <i>0.098</i>	Brown Fluoroelastomer	Duro 75	Black may be substituted when brown not available
# OR-07000-300-VBR75	70.00 <i>2.756</i>	3.00 <i>0.118</i>	Brown Fluoroelastomer	Duro 75	Black may be substituted when brown not available

Indicates item not stocked at time of printing - Please enquire for lead time

Page 93 of 194

E&OE Pricing and all details subject to change without notice - Copyright Miniature Bearings Australia Pty Ltd
MBA Size Listings are a guide to sizes only and must not be solely relied on for critical design information.

O-Rings - Fluoroelastomer

Part Number	Inside Diameter (I.D.) mm <i>inches</i>	Section (t) mm <i>inches</i>	Material	Hardness	Notes
# OR-07000-350-VBR75	70.00 <i>2.756</i>	3.50 <i>0.138</i>	Brown Fluoroelastomer	Duro 75	Black may be substituted when brown not available
# OR-07000-400-VBR75	70.00 <i>2.756</i>	4.00 <i>0.157</i>	Brown Fluoroelastomer	Duro 75	Black may be substituted when brown not available
OR-07000-500-VBR75	70.00 <i>2.756</i>	5.00 <i>0.197</i>	Brown Fluoroelastomer	Duro 75	Black may be substituted when brown not available
# OR-07100-300-VBR75	71.00 <i>2.795</i>	3.00 <i>0.118</i>	Brown Fluoroelastomer	Duro 75	Black may be substituted when brown not available
# OR-07100-400-VBR75	71.00 <i>2.795</i>	4.00 <i>0.157</i>	Brown Fluoroelastomer	Duro 75	Black may be substituted when brown not available
# OR-07100-500-VBR75	71.00 <i>2.795</i>	5.00 <i>0.197</i>	Brown Fluoroelastomer	Duro 75	Black may be substituted when brown not available
# OR-07112-262-VBR75-149	71.12 <i>2.800</i>	2.62 <i>0.103</i>	Brown Fluoroelastomer	Duro 75	Black may be substituted when brown not available
# OR-07112-262-VBR90-149	71.12 <i>2.800</i>	2.62 <i>0.103</i>	Brown Fluoroelastomer	Duro 90	Black may be substituted when brown not available

Indicates item not stocked at time of printing - Please enquire for lead time

Page 94 of 194

E&OE Pricing and all details subject to change without notice - Copyright Miniature Bearings Australia Pty Ltd

MBA Size Listings are a guide to sizes only and must not be solely relied on for critical design information.

O-Rings - Fluoroelastomer

Part Number	Inside Diameter (I.D.) mm <i>inches</i>	Section (t) mm <i>inches</i>	Material	Hardness	Notes
# OR-07200-200-VBR75	72.00 <i>2.835</i>	2.00 <i>0.079</i>	Brown Fluoroelastomer	Duro 75	Black may be substituted when brown not available
# OR-07200-250-VBR75	72.00 <i>2.835</i>	2.50 <i>0.098</i>	Brown Fluoroelastomer	Duro 75	Black may be substituted when brown not available
# OR-07200-300-VBR75	72.00 <i>2.835</i>	3.00 <i>0.118</i>	Brown Fluoroelastomer	Duro 75	Black may be substituted when brown not available
# OR-07200-400-VBR75	72.00 <i>2.835</i>	4.00 <i>0.157</i>	Brown Fluoroelastomer	Duro 75	Black may be substituted when brown not available
# OR-07200-500-VBR75	72.00 <i>2.835</i>	5.00 <i>0.197</i>	Brown Fluoroelastomer	Duro 75	Black may be substituted when brown not available
# OR-07239-533-VBR90-336	72.39 <i>2.850</i>	5.33 <i>0.210</i>	Brown Fluoroelastomer	Duro 90	Black may be substituted when brown not available
# OR-07239-533-VBR75-336	72.39 <i>2.850</i>	5.33 <i>0.210</i>	Brown Fluoroelastomer	Duro 75	Black may be substituted when brown not available
# OR-07262-353-VBR75-233	72.62 <i>2.859</i>	3.53 <i>0.139</i>	Brown Fluoroelastomer	Duro 75	Black may be substituted when brown not available

Indicates item not stocked at time of printing - Please enquire for lead time

Page 95 of 194

E&OE Pricing and all details subject to change without notice - Copyright Miniature Bearings Australia Pty Ltd

MBA Size Listings are a guide to sizes only and must not be solely relied on for critical design information.

O-Rings - Fluoroelastomer

Part Number	Inside Diameter (I.D.) mm	Section (t) mm	Material	Hardness	Notes
	<i>inches</i>	<i>inches</i>			
# OR-07262-353-VBR90-233	72.62 <i>2.859</i>	3.53 <i>0.139</i>	Brown Fluoroelastomer	Duro 90	Black may be substituted when brown not available
# OR-07269-262-VBR90-150	72.69 <i>2.862</i>	2.62 <i>0.103</i>	Brown Fluoroelastomer	Duro 90	Black may be substituted when brown not available
# OR-07269-262-VBR75-150	72.69 <i>2.862</i>	2.62 <i>0.103</i>	Brown Fluoroelastomer	Duro 75	Black may be substituted when brown not available
# OR-07275-178-VBR75-040	72.75 <i>2.864</i>	1.78 <i>0.070</i>	Brown Fluoroelastomer	Duro 75	Black may be substituted when brown not available
# OR-07275-178-VBR90-040	72.75 <i>2.864</i>	1.78 <i>0.070</i>	Brown Fluoroelastomer	Duro 90	Black may be substituted when brown not available
# OR-07300-200-VBR75	73.00 <i>2.874</i>	2.00 <i>0.079</i>	Brown Fluoroelastomer	Duro 75	Black may be substituted when brown not available
# OR-07300-300-VBR75	73.00 <i>2.874</i>	3.00 <i>0.118</i>	Brown Fluoroelastomer	Duro 75	Black may be substituted when brown not available
# OR-07300-350-VBR75	73.00 <i>2.874</i>	3.50 <i>0.138</i>	Brown Fluoroelastomer	Duro 75	Black may be substituted when brown not available

Indicates item not stocked at time of printing - Please enquire for lead time

Page 96 of 194

E&OE Pricing and all details subject to change without notice - Copyright Miniature Bearings Australia Pty Ltd
MBA Size Listings are a guide to sizes only and must not be solely relied on for critical design information.

O-Rings - Fluoroelastomer

Part Number	Inside Diameter (I.D.) mm	Section (t) mm	Material	Hardness	Notes
	<i>inches</i>	<i>inches</i>			
# OR-07300-400-VBR75	73.00 <i>2.874</i>	4.00 <i>0.157</i>	Brown Fluoroelastomer	Duro 75	Black may be substituted when brown not available
# OR-07300-500-VBR75	73.00 <i>2.874</i>	5.00 <i>0.197</i>	Brown Fluoroelastomer	Duro 75	Black may be substituted when brown not available
# OR-07400-200-VBR75	74.00 <i>2.913</i>	2.00 <i>0.079</i>	Brown Fluoroelastomer	Duro 75	Black may be substituted when brown not available
# OR-07400-300-VBR75	74.00 <i>2.913</i>	3.00 <i>0.118</i>	Brown Fluoroelastomer	Duro 75	Black may be substituted when brown not available
# OR-07400-400-VBR75	74.00 <i>2.913</i>	4.00 <i>0.157</i>	Brown Fluoroelastomer	Duro 75	Black may be substituted when brown not available
# OR-07400-500-VBR75	74.00 <i>2.913</i>	5.00 <i>0.197</i>	Brown Fluoroelastomer	Duro 75	Black may be substituted when brown not available
# OR-07500-200-VBR75	75.00 <i>2.953</i>	2.00 <i>0.079</i>	Brown Fluoroelastomer	Duro 75	Black may be substituted when brown not available
# OR-07500-250-VBR75	75.00 <i>2.953</i>	2.50 <i>0.098</i>	Brown Fluoroelastomer	Duro 75	Black may be substituted when brown not available

Indicates item not stocked at time of printing - Please enquire for lead time

Page 97 of 194

E&OE Pricing and all details subject to change without notice - Copyright Miniature Bearings Australia Pty Ltd
MBA Size Listings are a guide to sizes only and must not be solely relied on for critical design information.

O-Rings - Fluoroelastomer

Part Number	Inside Diameter (I.D.) mm <i>inches</i>	Section (t) mm <i>inches</i>	Material	Hardness	Notes
# OR-07500-300-VBR75	75.00 <i>2.953</i>	3.00 <i>0.118</i>	Brown Fluoroelastomer	Duro 75	Black may be substituted when brown not available
# OR-07500-350-VBR75	75.00 <i>2.953</i>	3.50 <i>0.138</i>	Brown Fluoroelastomer	Duro 75	Black may be substituted when brown not available
# OR-07500-400-VBR75	75.00 <i>2.953</i>	4.00 <i>0.157</i>	Brown Fluoroelastomer	Duro 75	Black may be substituted when brown not available
# OR-07500-500-VBR75	75.00 <i>2.953</i>	5.00 <i>0.197</i>	Brown Fluoroelastomer	Duro 75	Black may be substituted when brown not available
# OR-07557-533-VBR90-337	75.57 <i>2.975</i>	5.33 <i>0.210</i>	Brown Fluoroelastomer	Duro 90	Black may be substituted when brown not available
# OR-07557-533-VBR75-337	75.57 <i>2.975</i>	5.33 <i>0.210</i>	Brown Fluoroelastomer	Duro 75	Black may be substituted when brown not available
# OR-07579-353-VBR90-234	75.79 <i>2.984</i>	3.53 <i>0.139</i>	Brown Fluoroelastomer	Duro 90	Black may be substituted when brown not available
# OR-07579-353-VBR75-234	75.79 <i>2.984</i>	3.53 <i>0.139</i>	Brown Fluoroelastomer	Duro 75	Black may be substituted when brown not available

Indicates item not stocked at time of printing - Please enquire for lead time

Page 98 of 194

E&OE Pricing and all details subject to change without notice - Copyright Miniature Bearings Australia Pty Ltd
MBA Size Listings are a guide to sizes only and must not be solely relied on for critical design information.

O-Rings - Fluoroelastomer

Part Number	Inside Diameter (I.D.) mm <i>inches</i>	Section (t) mm <i>inches</i>	Material	Hardness	Notes
# OR-07587-262-VBR90-151	75.87 <i>2.987</i>	2.62 <i>0.103</i>	Brown Fluoroelastomer	Duro 90	Black may be substituted when brown not available
# OR-07587-262-VBR75-151	75.87 <i>2.987</i>	2.62 <i>0.103</i>	Brown Fluoroelastomer	Duro 75	Black may be substituted when brown not available
# OR-07592-178-VBR90-041	75.92 <i>2.989</i>	1.78 <i>0.070</i>	Brown Fluoroelastomer	Duro 90	Black may be substituted when brown not available
# OR-07592-178-VBR75-041	75.92 <i>2.989</i>	1.78 <i>0.070</i>	Brown Fluoroelastomer	Duro 75	Black may be substituted when brown not available
# OR-07600-200-VBR75	76.00 <i>2.992</i>	2.00 <i>0.079</i>	Brown Fluoroelastomer	Duro 75	Black may be substituted when brown not available
# OR-07600-350-VBR75	76.00 <i>2.992</i>	3.50 <i>0.138</i>	Brown Fluoroelastomer	Duro 75	Black may be substituted when brown not available
# OR-07600-400-VBR75	76.00 <i>2.992</i>	4.00 <i>0.157</i>	Brown Fluoroelastomer	Duro 75	Black may be substituted when brown not available
# OR-07700-300-VBR75	77.00 <i>3.031</i>	3.00 <i>0.118</i>	Brown Fluoroelastomer	Duro 75	Black may be substituted when brown not available

Indicates item not stocked at time of printing - Please enquire for lead time

Page 99 of 194

E&OE Pricing and all details subject to change without notice - Copyright Miniature Bearings Australia Pty Ltd
MBA Size Listings are a guide to sizes only and must not be solely relied on for critical design information.

O-Rings - Fluoroelastomer

Part Number	Inside Diameter (I.D.) mm	Section (t) mm	Material	Hardness	Notes
	<i>inches</i>	<i>inches</i>			
# OR-07800-200-VBR75	78.00	2.00	Brown Fluoroelastomer	Duro 75	Black may be substituted when brown not available
	<i>3.071</i>	<i>0.079</i>			
# OR-07800-300-VBR75	78.00	3.00	Brown Fluoroelastomer	Duro 75	Black may be substituted when brown not available
	<i>3.071</i>	<i>0.118</i>			
# OR-07800-400-VBR75	78.00	4.00	Brown Fluoroelastomer	Duro 75	Black may be substituted when brown not available
	<i>3.071</i>	<i>0.157</i>			
# OR-07800-500-VBR75	78.00	5.00	Brown Fluoroelastomer	Duro 75	Black may be substituted when brown not available
	<i>3.071</i>	<i>0.197</i>			
# OR-07874-533-VBR75-338	78.74	5.33	Brown Fluoroelastomer	Duro 75	Black may be substituted when brown not available
	<i>3.100</i>	<i>0.210</i>			
# OR-07874-533-VBR90-338	78.74	5.33	Brown Fluoroelastomer	Duro 90	Black may be substituted when brown not available
	<i>3.100</i>	<i>0.210</i>			
# OR-07897-353-VBR90-235	78.97	3.53	Brown Fluoroelastomer	Duro 90	Black may be substituted when brown not available
	<i>3.109</i>	<i>0.139</i>			
# OR-07897-353-VBR75-235	78.97	3.53	Brown Fluoroelastomer	Duro 75	Black may be substituted when brown not available
	<i>3.109</i>	<i>0.139</i>			

Indicates item not stocked at time of printing - Please enquire for lead time

Page 100 of 194

E&OE Pricing and all details subject to change without notice - Copyright Miniature Bearings Australia Pty Ltd
MBA Size Listings are a guide to sizes only and must not be solely relied on for critical design information.

O-Rings - Fluoroelastomer

Part Number	Inside Diameter (I.D.) mm <i>inches</i>	Section (t) mm <i>inches</i>	Material	Hardness	Notes
# OR-07900-250-VBR75	79.00 <i>3.110</i>	2.50 <i>0.098</i>	Brown Fluoroelastomer	Duro 75	Black may be substituted when brown not available
# OR-07900-350-VBR75	79.00 <i>3.110</i>	3.50 <i>0.138</i>	Brown Fluoroelastomer	Duro 75	Black may be substituted when brown not available
# OR-07900-400-VBR75	79.00 <i>3.110</i>	4.00 <i>0.157</i>	Brown Fluoroelastomer	Duro 75	Black may be substituted when brown not available
# OR-08000-200-VBR75	80.00 <i>3.150</i>	2.00 <i>0.079</i>	Brown Fluoroelastomer	Duro 75	Black may be substituted when brown not available
# OR-08000-250-VBR75	80.00 <i>3.150</i>	2.50 <i>0.098</i>	Brown Fluoroelastomer	Duro 75	Black may be substituted when brown not available
# OR-08000-300-VBR75	80.00 <i>3.150</i>	3.00 <i>0.118</i>	Brown Fluoroelastomer	Duro 75	Black may be substituted when brown not available
# OR-08000-350-VBR75	80.00 <i>3.150</i>	3.50 <i>0.138</i>	Brown Fluoroelastomer	Duro 75	Black may be substituted when brown not available
# OR-08000-400-VBR75	80.00 <i>3.150</i>	4.00 <i>0.157</i>	Brown Fluoroelastomer	Duro 75	Black may be substituted when brown not available

Indicates item not stocked at time of printing - Please enquire for lead time

Page 101 of 194

E&OE Pricing and all details subject to change without notice - Copyright Miniature Bearings Australia Pty Ltd

MBA Size Listings are a guide to sizes only and must not be solely relied on for critical design information.

O-Rings - Fluoroelastomer

Part Number	Inside Diameter (I.D.) mm <i>inches</i>	Section (t) mm <i>inches</i>	Material	Hardness	Notes
# OR-08000-500-VBR75	80.00 <i>3.150</i>	5.00 <i>0.197</i>	Brown Fluoroelastomer	Duro 75	Black may be substituted when brown not available
# OR-08192-533-VBR75-339	81.92 <i>3.225</i>	5.33 <i>0.210</i>	Brown Fluoroelastomer	Duro 75	Black may be substituted when brown not available
# OR-08192-533-VBR90-339	81.92 <i>3.225</i>	5.33 <i>0.210</i>	Brown Fluoroelastomer	Duro 90	Black may be substituted when brown not available
# OR-08200-300-VBR75	82.00 <i>3.228</i>	3.00 <i>0.118</i>	Brown Fluoroelastomer	Duro 75	Black may be substituted when brown not available
# OR-08200-350-VBR75	82.00 <i>3.228</i>	3.50 <i>0.138</i>	Brown Fluoroelastomer	Duro 75	Black may be substituted when brown not available
# OR-08214-353-VBR90-236	82.14 <i>3.234</i>	3.53 <i>0.139</i>	Brown Fluoroelastomer	Duro 90	Black may be substituted when brown not available
# OR-08214-353-VBR75-236	82.14 <i>3.234</i>	3.53 <i>0.139</i>	Brown Fluoroelastomer	Duro 75	Black may be substituted when brown not available
# OR-08222-262-VBR75-152	82.22 <i>3.237</i>	2.62 <i>0.103</i>	Brown Fluoroelastomer	Duro 75	Black may be substituted when brown not available

Indicates item not stocked at time of printing - Please enquire for lead time

Page 102 of 194

E&OE Pricing and all details subject to change without notice - Copyright Miniature Bearings Australia Pty Ltd
MBA Size Listings are a guide to sizes only and must not be solely relied on for critical design information.

O-Rings - Fluoroelastomer

Part Number	Inside Diameter (I.D.) mm <i>inches</i>	Section (t) mm <i>inches</i>	Material	Hardness	Notes
# OR-08222-262-VBR90-152	82.22 <i>3.237</i>	2.62 <i>0.103</i>	Brown Fluoroelastomer	Duro 90	Black may be substituted when brown not available
# OR-08227-178-VBR90-042	82.27 <i>3.239</i>	1.78 <i>0.070</i>	Brown Fluoroelastomer	Duro 90	Black may be substituted when brown not available
# OR-08227-178-VBR75-042	82.27 <i>3.239</i>	1.78 <i>0.070</i>	Brown Fluoroelastomer	Duro 75	Black may be substituted when brown not available
# OR-08300-300-VBR75	83.00 <i>3.268</i>	3.00 <i>0.118</i>	Brown Fluoroelastomer	Duro 75	Black may be substituted when brown not available
# OR-08300-400-VBR75	83.00 <i>3.268</i>	4.00 <i>0.157</i>	Brown Fluoroelastomer	Duro 75	Black may be substituted when brown not available
# OR-08400-200-VBR75	84.00 <i>3.307</i>	2.00 <i>0.079</i>	Brown Fluoroelastomer	Duro 75	Black may be substituted when brown not available
# OR-08400-300-VBR75	84.00 <i>3.307</i>	3.00 <i>0.118</i>	Brown Fluoroelastomer	Duro 75	Black may be substituted when brown not available
# OR-08400-400-VBR75	84.00 <i>3.307</i>	4.00 <i>0.157</i>	Brown Fluoroelastomer	Duro 75	Black may be substituted when brown not available

Indicates item not stocked at time of printing - Please enquire for lead time

Page 103 of 194

E&OE Pricing and all details subject to change without notice - Copyright Miniature Bearings Australia Pty Ltd
MBA Size Listings are a guide to sizes only and must not be solely relied on for critical design information.

O-Rings - Fluoroelastomer

Part Number	Inside Diameter (I.D.) mm <i>inches</i>	Section (t) mm <i>inches</i>	Material	Hardness	Notes
# OR-08400-500-VBR75	84.00 <i>3.307</i>	5.00 <i>0.197</i>	Brown Fluoroelastomer	Duro 75	Black may be substituted when brown not available
# OR-08500-200-VBR75	85.00 <i>3.346</i>	2.00 <i>0.079</i>	Brown Fluoroelastomer	Duro 75	Black may be substituted when brown not available
# OR-08500-250-VBR75	85.00 <i>3.346</i>	2.50 <i>0.098</i>	Brown Fluoroelastomer	Duro 75	Black may be substituted when brown not available
# OR-08500-300-VBR75	85.00 <i>3.346</i>	3.00 <i>0.118</i>	Brown Fluoroelastomer	Duro 75	Black may be substituted when brown not available
# OR-08500-350-VBR75	85.00 <i>3.346</i>	3.50 <i>0.138</i>	Brown Fluoroelastomer	Duro 75	Black may be substituted when brown not available
# OR-08500-400-VBR75	85.00 <i>3.346</i>	4.00 <i>0.157</i>	Brown Fluoroelastomer	Duro 75	Black may be substituted when brown not available
# OR-08500-500-VBR75	85.00 <i>3.346</i>	5.00 <i>0.197</i>	Brown Fluoroelastomer	Duro 75	Black may be substituted when brown not available
# OR-08509-533-VBR90-340	85.09 <i>3.350</i>	5.33 <i>0.210</i>	Brown Fluoroelastomer	Duro 90	Black may be substituted when brown not available

Indicates item not stocked at time of printing - Please enquire for lead time

Page 104 of 194

E&OE Pricing and all details subject to change without notice - Copyright Miniature Bearings Australia Pty Ltd

MBA Size Listings are a guide to sizes only and must not be solely relied on for critical design information.

O-Rings - Fluoroelastomer

Part Number	Inside Diameter (I.D.) mm <i>inches</i>	Section (t) mm <i>inches</i>	Material	Hardness	Notes
# OR-08509-533-VBR75-340	85.09 <i>3.350</i>	5.33 <i>0.210</i>	Brown Fluoroelastomer	Duro 75	Black may be substituted when brown not available
# OR-08532-353-VBR90-237	85.32 <i>3.359</i>	3.53 <i>0.139</i>	Brown Fluoroelastomer	Duro 90	Black may be substituted when brown not available
# OR-08532-353-VBR75-237	85.32 <i>3.359</i>	3.53 <i>0.139</i>	Brown Fluoroelastomer	Duro 75	Black may be substituted when brown not available
# OR-08600-200-VBR75	86.00 <i>3.386</i>	2.00 <i>0.079</i>	Brown Fluoroelastomer	Duro 75	Black may be substituted when brown not available
# OR-08600-250-VBR75	86.00 <i>3.386</i>	2.50 <i>0.098</i>	Brown Fluoroelastomer	Duro 75	Black may be substituted when brown not available
# OR-08600-300-VBR75	86.00 <i>3.386</i>	3.00 <i>0.118</i>	Brown Fluoroelastomer	Duro 75	Black may be substituted when brown not available
# OR-08600-350-VBR75	86.00 <i>3.386</i>	3.50 <i>0.138</i>	Brown Fluoroelastomer	Duro 75	Black may be substituted when brown not available
# OR-08600-500-VBR75	86.00 <i>3.386</i>	5.00 <i>0.197</i>	Brown Fluoroelastomer	Duro 75	Black may be substituted when brown not available

Indicates item not stocked at time of printing - Please enquire for lead time

Page 105 of 194

E&OE Pricing and all details subject to change without notice - Copyright Miniature Bearings Australia Pty Ltd
MBA Size Listings are a guide to sizes only and must not be solely relied on for critical design information.

O-Rings - Fluoroelastomer

Part Number	Inside Diameter (I.D.) mm <i>inches</i>	Section (t) mm <i>inches</i>	Material	Hardness	Notes
# OR-08700-250-VBR75	87.00 <i>3.425</i>	2.50 <i>0.098</i>	Brown Fluoroelastomer	Duro 75	Black may be substituted when brown not available
# OR-08700-300-VBR75	87.00 <i>3.425</i>	3.00 <i>0.118</i>	Brown Fluoroelastomer	Duro 75	Black may be substituted when brown not available
# OR-08700-400-VBR75	87.00 <i>3.425</i>	4.00 <i>0.157</i>	Brown Fluoroelastomer	Duro 75	Black may be substituted when brown not available
# OR-08800-200-VBR75	88.00 <i>3.465</i>	2.00 <i>0.079</i>	Brown Fluoroelastomer	Duro 75	Black may be substituted when brown not available
# OR-08800-300-VBR75	88.00 <i>3.465</i>	3.00 <i>0.118</i>	Brown Fluoroelastomer	Duro 75	Black may be substituted when brown not available
# OR-08800-400-VBR75	88.00 <i>3.465</i>	4.00 <i>0.157</i>	Brown Fluoroelastomer	Duro 75	Black may be substituted when brown not available
# OR-08800-500-VBR75	88.00 <i>3.465</i>	5.00 <i>0.197</i>	Brown Fluoroelastomer	Duro 75	Black may be substituted when brown not available
# OR-08827-533-VBR90-341	88.27 <i>3.475</i>	5.33 <i>0.210</i>	Brown Fluoroelastomer	Duro 90	Black may be substituted when brown not available

Indicates item not stocked at time of printing - Please enquire for lead time

Page 106 of 194

E&OE Pricing and all details subject to change without notice - Copyright Miniature Bearings Australia Pty Ltd

MBA Size Listings are a guide to sizes only and must not be solely relied on for critical design information.

O-Rings - Fluoroelastomer

Part Number	Inside Diameter (I.D.) mm <i>inches</i>	Section (t) mm <i>inches</i>	Material	Hardness	Notes
# OR-08827-533-VBR75-341	88.27 <i>3.475</i>	5.33 <i>0.210</i>	Brown Fluoroelastomer	Duro 75	Black may be substituted when brown not available
# OR-08849-353-VBR90-238	88.49 <i>3.484</i>	3.53 <i>0.139</i>	Brown Fluoroelastomer	Duro 90	Black may be substituted when brown not available
# OR-08849-353-VBR75-238	88.49 <i>3.484</i>	3.53 <i>0.139</i>	Brown Fluoroelastomer	Duro 75	Black may be substituted when brown not available
# OR-08857-262-VBR90-153	88.57 <i>3.487</i>	2.62 <i>0.103</i>	Brown Fluoroelastomer	Duro 90	Black may be substituted when brown not available
# OR-08857-262-VBR75-153	88.57 <i>3.487</i>	2.62 <i>0.103</i>	Brown Fluoroelastomer	Duro 75	Black may be substituted when brown not available
# OR-08862-178-VBR90-043	88.62 <i>3.489</i>	1.78 <i>0.070</i>	Brown Fluoroelastomer	Duro 90	Black may be substituted when brown not available
# OR-08862-178-VBR75-043	88.62 <i>3.489</i>	1.78 <i>0.070</i>	Brown Fluoroelastomer	Duro 75	Black may be substituted when brown not available
# OR-08900-300-VBR75	89.00 <i>3.504</i>	3.00 <i>0.118</i>	Brown Fluoroelastomer	Duro 75	Black may be substituted when brown not available

Indicates item not stocked at time of printing - Please enquire for lead time

Page 107 of 194

E&OE Pricing and all details subject to change without notice - Copyright Miniature Bearings Australia Pty Ltd
MBA Size Listings are a guide to sizes only and must not be solely relied on for critical design information.

O-Rings - Fluoroelastomer

Part Number	Inside Diameter (I.D.) mm <i>inches</i>	Section (t) mm <i>inches</i>	Material	Hardness	Notes
# OR-09000-200-VBR75	90.00 <i>3.543</i>	2.00 <i>0.079</i>	Brown Fluoroelastomer	Duro 75	Black may be substituted when brown not available
# OR-09000-250-VBR75	90.00 <i>3.543</i>	2.50 <i>0.098</i>	Brown Fluoroelastomer	Duro 75	Black may be substituted when brown not available
# OR-09000-300-VBR75	90.00 <i>3.543</i>	3.00 <i>0.118</i>	Brown Fluoroelastomer	Duro 75	Black may be substituted when brown not available
# OR-09000-350-VBR75	90.00 <i>3.543</i>	3.50 <i>0.138</i>	Brown Fluoroelastomer	Duro 75	Black may be substituted when brown not available
# OR-09000-400-VBR75	90.00 <i>3.543</i>	4.00 <i>0.157</i>	Brown Fluoroelastomer	Duro 75	Black may be substituted when brown not available
# OR-09000-500-VBR75	90.00 <i>3.543</i>	5.00 <i>0.197</i>	Brown Fluoroelastomer	Duro 75	Black may be substituted when brown not available
# OR-09100-350-VBR75	91.00 <i>3.583</i>	3.50 <i>0.138</i>	Brown Fluoroelastomer	Duro 75	Black may be substituted when brown not available
# OR-09144-533-VBR75-342	91.44 <i>3.600</i>	5.33 <i>0.210</i>	Brown Fluoroelastomer	Duro 75	Black may be substituted when brown not available

Indicates item not stocked at time of printing - Please enquire for lead time

Page 108 of 194

E&OE Pricing and all details subject to change without notice - Copyright Miniature Bearings Australia Pty Ltd
MBA Size Listings are a guide to sizes only and must not be solely relied on for critical design information.

O-Rings - Fluoroelastomer

Part Number	Inside Diameter (I.D.) mm <i>inches</i>	Section (t) mm <i>inches</i>	Material	Hardness	Notes
# OR-09144-533-VBR90-342	91.44 <i>3.600</i>	5.33 <i>0.210</i>	Brown Fluoroelastomer	Duro 90	Black may be substituted when brown not available
# OR-09167-353-VBR90-239	91.67 <i>3.609</i>	3.53 <i>0.139</i>	Brown Fluoroelastomer	Duro 90	Black may be substituted when brown not available
# OR-09167-353-VBR75-239	91.67 <i>3.609</i>	3.53 <i>0.139</i>	Brown Fluoroelastomer	Duro 75	Black may be substituted when brown not available
# OR-09200-200-VBR75	92.00 <i>3.622</i>	2.00 <i>0.079</i>	Brown Fluoroelastomer	Duro 75	Black may be substituted when brown not available
# OR-09200-250-VBR75	92.00 <i>3.622</i>	2.50 <i>0.098</i>	Brown Fluoroelastomer	Duro 75	Black may be substituted when brown not available
# OR-09200-300-VBR75	92.00 <i>3.622</i>	3.00 <i>0.118</i>	Brown Fluoroelastomer	Duro 75	Black may be substituted when brown not available
# OR-09200-400-VBR75	92.00 <i>3.622</i>	4.00 <i>0.157</i>	Brown Fluoroelastomer	Duro 75	Black may be substituted when brown not available
# OR-09300-200-VBR75	93.00 <i>3.661</i>	2.00 <i>0.079</i>	Brown Fluoroelastomer	Duro 75	Black may be substituted when brown not available

Indicates item not stocked at time of printing - Please enquire for lead time

Page 109 of 194

E&OE Pricing and all details subject to change without notice - Copyright Miniature Bearings Australia Pty Ltd

MBA Size Listings are a guide to sizes only and must not be solely relied on for critical design information.

O-Rings - Fluoroelastomer

Part Number	Inside Diameter (I.D.) mm	Section (t) mm	Material	Hardness	Notes
	<i>inches</i>	<i>inches</i>			
# OR-09300-250-VBR75	93.00 <i>3.661</i>	2.50 <i>0.098</i>	Brown Fluoroelastomer	Duro 75	Black may be substituted when brown not available
# OR-09300-300-VBR75	93.00 <i>3.661</i>	3.00 <i>0.118</i>	Brown Fluoroelastomer	Duro 75	Black may be substituted when brown not available
# OR-09400-200-VBR75	94.00 <i>3.701</i>	2.00 <i>0.079</i>	Brown Fluoroelastomer	Duro 75	Black may be substituted when brown not available
# OR-09400-250-VBR75	94.00 <i>3.701</i>	2.50 <i>0.098</i>	Brown Fluoroelastomer	Duro 75	Black may be substituted when brown not available
# OR-09400-300-VBR75	94.00 <i>3.701</i>	3.00 <i>0.118</i>	Brown Fluoroelastomer	Duro 75	Black may be substituted when brown not available
# OR-09400-400-VBR75	94.00 <i>3.701</i>	4.00 <i>0.157</i>	Brown Fluoroelastomer	Duro 75	Black may be substituted when brown not available
# OR-09400-500-VBR75	94.00 <i>3.701</i>	5.00 <i>0.197</i>	Brown Fluoroelastomer	Duro 75	Black may be substituted when brown not available
# OR-09462-533-VBR90-343	94.62 <i>3.725</i>	5.33 <i>0.210</i>	Brown Fluoroelastomer	Duro 90	Black may be substituted when brown not available

Indicates item not stocked at time of printing - Please enquire for lead time

E&OE Pricing and all details subject to change without notice - Copyright Miniature Bearings Australia Pty Ltd

MBA Size Listings are a guide to sizes only and must not be solely relied on for critical design information.

O-Rings - Fluoroelastomer

Part Number	Inside Diameter (I.D.) mm	Section (t) mm	Material	Hardness	Notes
	<i>inches</i>	<i>inches</i>			
OR-09462-533-VBR75-343	94.62 <i>3.725</i>	5.33 <i>0.210</i>	Brown Fluoroelastomer	Duro 75	Black may be substituted when brown not available
# OR-09484-353-VBR75-240	94.84 <i>3.734</i>	3.53 <i>0.139</i>	Brown Fluoroelastomer	Duro 75	Black may be substituted when brown not available
# OR-09484-353-VBR90-240	94.84 <i>3.734</i>	3.53 <i>0.139</i>	Brown Fluoroelastomer	Duro 90	Black may be substituted when brown not available
# OR-09492-262-VBR90-154	94.92 <i>3.737</i>	2.62 <i>0.103</i>	Brown Fluoroelastomer	Duro 90	Black may be substituted when brown not available
# OR-09492-262-VBR75-154	94.92 <i>3.737</i>	2.62 <i>0.103</i>	Brown Fluoroelastomer	Duro 75	Black may be substituted when brown not available
# OR-09497-178-VBR75-044	94.97 <i>3.739</i>	1.78 <i>0.070</i>	Brown Fluoroelastomer	Duro 75	Black may be substituted when brown not available
# OR-09497-178-VBR90-044	94.97 <i>3.739</i>	1.78 <i>0.070</i>	Brown Fluoroelastomer	Duro 90	Black may be substituted when brown not available
# OR-09500-200-VBR75	95.00 <i>3.740</i>	2.00 <i>0.079</i>	Brown Fluoroelastomer	Duro 75	Black may be substituted when brown not available

Indicates item not stocked at time of printing - Please enquire for lead time

E&OE Pricing and all details subject to change without notice - Copyright Miniature Bearings Australia Pty Ltd
MBA Size Listings are a guide to sizes only and must not be solely relied on for critical design information.

O-Rings - Fluoroelastomer

Part Number	Inside Diameter (I.D.) mm	Section (t) mm	Material	Hardness	Notes
	<i>inches</i>	<i>inches</i>			
# OR-09500-250-VBR75	95.00 <i>3.740</i>	2.50 <i>0.098</i>	Brown Fluoroelastomer	Duro 75	Black may be substituted when brown not available
# OR-09500-300-VBR75	95.00 <i>3.740</i>	3.00 <i>0.118</i>	Brown Fluoroelastomer	Duro 75	Black may be substituted when brown not available
# OR-09500-350-VBR75	95.00 <i>3.740</i>	3.50 <i>0.138</i>	Brown Fluoroelastomer	Duro 75	Black may be substituted when brown not available
# OR-09500-400-VBR75	95.00 <i>3.740</i>	4.00 <i>0.157</i>	Brown Fluoroelastomer	Duro 75	Black may be substituted when brown not available
# OR-09500-500-VBR75	95.00 <i>3.740</i>	5.00 <i>0.197</i>	Brown Fluoroelastomer	Duro 75	Black may be substituted when brown not available
# OR-09600-200-VBR75	96.00 <i>3.780</i>	2.00 <i>0.079</i>	Brown Fluoroelastomer	Duro 75	Black may be substituted when brown not available
# OR-09600-300-VBR75	96.00 <i>3.780</i>	3.00 <i>0.118</i>	Brown Fluoroelastomer	Duro 75	Black may be substituted when brown not available
# OR-09600-400-VBR75	96.00 <i>3.780</i>	4.00 <i>0.157</i>	Brown Fluoroelastomer	Duro 75	Black may be substituted when brown not available

Indicates item not stocked at time of printing - Please enquire for lead time

E&OE Pricing and all details subject to change without notice - Copyright Miniature Bearings Australia Pty Ltd

MBA Size Listings are a guide to sizes only and must not be solely relied on for critical design information.

O-Rings - Fluoroelastomer

Part Number	Inside Diameter (I.D.) mm <i>inches</i>	Section (t) mm <i>inches</i>	Material	Hardness	Notes
# OR-09700-400-VBR75	97.00 <i>3.819</i>	4.00 <i>0.157</i>	Brown Fluoroelastomer	Duro 75	Black may be substituted when brown not available
# OR-09700-500-VBR75	97.00 <i>3.819</i>	5.00 <i>0.197</i>	Brown Fluoroelastomer	Duro 75	Black may be substituted when brown not available
# OR-09779-533-VBR75-344	97.79 <i>3.850</i>	5.33 <i>0.210</i>	Brown Fluoroelastomer	Duro 75	Black may be substituted when brown not available
# OR-09779-533-VBR90-344	97.79 <i>3.850</i>	5.33 <i>0.210</i>	Brown Fluoroelastomer	Duro 90	Black may be substituted when brown not available
# OR-09800-250-VBR75	98.00 <i>3.858</i>	2.50 <i>0.098</i>	Brown Fluoroelastomer	Duro 75	Black may be substituted when brown not available
# OR-09800-300-VBR75	98.00 <i>3.858</i>	3.00 <i>0.118</i>	Brown Fluoroelastomer	Duro 75	Black may be substituted when brown not available
# OR-09800-350-VBR75	98.00 <i>3.858</i>	3.50 <i>0.138</i>	Brown Fluoroelastomer	Duro 75	Black may be substituted when brown not available
# OR-09800-400-VBR75	98.00 <i>3.858</i>	4.00 <i>0.157</i>	Brown Fluoroelastomer	Duro 75	Black may be substituted when brown not available

Indicates item not stocked at time of printing - Please enquire for lead time

Page 113 of 194

E&OE Pricing and all details subject to change without notice - Copyright Miniature Bearings Australia Pty Ltd

MBA Size Listings are a guide to sizes only and must not be solely relied on for critical design information.

O-Rings - Fluoroelastomer

Part Number	Inside Diameter (I.D.) mm <i>inches</i>	Section (t) mm <i>inches</i>	Material	Hardness	Notes
# OR-09800-500-VBR75	98.00 <i>3.858</i>	5.00 <i>0.197</i>	Brown Fluoroelastomer	Duro 75	Black may be substituted when brown not available
# OR-09802-353-VBR75-241	98.02 <i>3.859</i>	3.53 <i>0.139</i>	Brown Fluoroelastomer	Duro 75	Black may be substituted when brown not available
# OR-09802-353-VBR90-241	98.02 <i>3.859</i>	3.53 <i>0.139</i>	Brown Fluoroelastomer	Duro 90	Black may be substituted when brown not available
# OR-09900-250-VBR75	99.00 <i>3.898</i>	2.50 <i>0.098</i>	Brown Fluoroelastomer	Duro 75	Black may be substituted when brown not available
# OR-09900-300-VBR75	99.00 <i>3.898</i>	3.00 <i>0.118</i>	Brown Fluoroelastomer	Duro 75	Black may be substituted when brown not available
# OR-09900-400-VBR75	99.00 <i>3.898</i>	4.00 <i>0.157</i>	Brown Fluoroelastomer	Duro 75	Black may be substituted when brown not available
# OR-10000-200-VBR75	100.00 <i>3.937</i>	2.00 <i>0.079</i>	Brown Fluoroelastomer	Duro 75	Black may be substituted when brown not available
# OR-10000-250-VBR75	100.00 <i>3.937</i>	2.50 <i>0.098</i>	Brown Fluoroelastomer	Duro 75	Black may be substituted when brown not available

Indicates item not stocked at time of printing - Please enquire for lead time

Page 114 of 194

E&OE Pricing and all details subject to change without notice - Copyright Miniature Bearings Australia Pty Ltd
MBA Size Listings are a guide to sizes only and must not be solely relied on for critical design information.

O-Rings - Fluoroelastomer

Part Number	Inside Diameter (I.D.) mm	Section (t) mm	Material	Hardness	Notes
	<i>inches</i>	<i>inches</i>			
OR-10000-300-VBR75	100.00 <i>3.937</i>	3.00 <i>0.118</i>	Brown Fluoroelastomer	Duro 75	Black may be substituted when brown not available
# OR-10000-350-VBR75	100.00 <i>3.937</i>	3.50 <i>0.138</i>	Brown Fluoroelastomer	Duro 75	Black may be substituted when brown not available
# OR-10000-400-VBR75	100.00 <i>3.937</i>	4.00 <i>0.157</i>	Brown Fluoroelastomer	Duro 75	Black may be substituted when brown not available
# OR-10000-500-VBR75	100.00 <i>3.937</i>	5.00 <i>0.197</i>	Brown Fluoroelastomer	Duro 75	Black may be substituted when brown not available
# OR-10097-533-VBR90-345	100.97 <i>3.975</i>	5.33 <i>0.210</i>	Brown Fluoroelastomer	Duro 90	Black may be substituted when brown not available
# OR-10097-533-VBR75-345	100.97 <i>3.975</i>	5.33 <i>0.210</i>	Brown Fluoroelastomer	Duro 75	Black may be substituted when brown not available
# OR-10100-300-VBR75	101.00 <i>3.976</i>	3.00 <i>0.118</i>	Brown Fluoroelastomer	Duro 75	Black may be substituted when brown not available
# OR-10119-353-VBR75-242	101.19 <i>3.984</i>	3.53 <i>0.139</i>	Brown Fluoroelastomer	Duro 75	Black may be substituted when brown not available

Indicates item not stocked at time of printing - Please enquire for lead time

E&OE Pricing and all details subject to change without notice - Copyright Miniature Bearings Australia Pty Ltd

MBA Size Listings are a guide to sizes only and must not be solely relied on for critical design information.

O-Rings - Fluoroelastomer

Part Number	Inside Diameter (I.D.) mm	Section (t) mm	Material	Hardness	Notes
	<i>inches</i>	<i>inches</i>			
# OR-10119-353-VBR90-242	101.19 <i>3.984</i>	3.53 <i>0.139</i>	Brown Fluoroelastomer	Duro 90	Black may be substituted when brown not available
# OR-10127-262-VBR90-155	101.27 <i>3.987</i>	2.62 <i>0.103</i>	Brown Fluoroelastomer	Duro 90	Black may be substituted when brown not available
# OR-10127-262-VBR75-155	101.27 <i>3.987</i>	2.62 <i>0.103</i>	Brown Fluoroelastomer	Duro 75	Black may be substituted when brown not available
# OR-10132-178-VBR75-045	101.32 <i>3.989</i>	1.78 <i>0.070</i>	Brown Fluoroelastomer	Duro 75	Black may be substituted when brown not available
# OR-10132-178-VBR90-045	101.32 <i>3.989</i>	1.78 <i>0.070</i>	Brown Fluoroelastomer	Duro 90	Black may be substituted when brown not available
# OR-10200-300-VBR75	102.00 <i>4.016</i>	3.00 <i>0.118</i>	Brown Fluoroelastomer	Duro 75	Black may be substituted when brown not available
# OR-10200-400-VBR75	102.00 <i>4.016</i>	4.00 <i>0.157</i>	Brown Fluoroelastomer	Duro 75	Black may be substituted when brown not available
# OR-10200-500-VBR75	102.00 <i>4.016</i>	5.00 <i>0.197</i>	Brown Fluoroelastomer	Duro 75	Black may be substituted when brown not available

Indicates item not stocked at time of printing - Please enquire for lead time

E&OE Pricing and all details subject to change without notice - Copyright Miniature Bearings Australia Pty Ltd

MBA Size Listings are a guide to sizes only and must not be solely relied on for critical design information.

O-Rings - Fluoroelastomer

Part Number	Inside Diameter (I.D.) mm <i>inches</i>	Section (t) mm <i>inches</i>	Material	Hardness	Notes
# OR-10300-300-VBR75	103.00 <i>4.055</i>	3.00 <i>0.118</i>	Brown Fluoroelastomer	Duro 75	Black may be substituted when brown not available
# OR-10300-400-VBR75	103.00 <i>4.055</i>	4.00 <i>0.157</i>	Brown Fluoroelastomer	Duro 75	Black may be substituted when brown not available
# OR-10414-533-VBR90-346	104.14 <i>4.100</i>	5.33 <i>0.210</i>	Brown Fluoroelastomer	Duro 90	Black may be substituted when brown not available
# OR-10414-533-VBR75-346	104.14 <i>4.100</i>	5.33 <i>0.210</i>	Brown Fluoroelastomer	Duro 75	Black may be substituted when brown not available
# OR-10437-353-VBR90-243	104.37 <i>4.109</i>	3.53 <i>0.139</i>	Brown Fluoroelastomer	Duro 90	Black may be substituted when brown not available
# OR-10437-353-VBR75-243	104.37 <i>4.109</i>	3.53 <i>0.139</i>	Brown Fluoroelastomer	Duro 75	Black may be substituted when brown not available
# OR-10500-200-VBR75	105.00 <i>4.134</i>	2.00 <i>0.079</i>	Brown Fluoroelastomer	Duro 75	Black may be substituted when brown not available
# OR-10500-250-VBR75	105.00 <i>4.134</i>	2.50 <i>0.098</i>	Brown Fluoroelastomer	Duro 75	Black may be substituted when brown not available

Indicates item not stocked at time of printing - Please enquire for lead time

E&OE Pricing and all details subject to change without notice - Copyright Miniature Bearings Australia Pty Ltd
MBA Size Listings are a guide to sizes only and must not be solely relied on for critical design information.

O-Rings - Fluoroelastomer

Part Number	Inside Diameter (I.D.) mm <i>inches</i>	Section (t) mm <i>inches</i>	Material	Hardness	Notes
# OR-10500-300-VBR75	105.00 <i>4.134</i>	3.00 <i>0.118</i>	Brown Fluoroelastomer	Duro 75	Black may be substituted when brown not available
# OR-10500-350-VBR75	105.00 <i>4.134</i>	3.50 <i>0.138</i>	Brown Fluoroelastomer	Duro 75	Black may be substituted when brown not available
# OR-10500-400-VBR75	105.00 <i>4.134</i>	4.00 <i>0.157</i>	Brown Fluoroelastomer	Duro 75	Black may be substituted when brown not available
# OR-10500-500-VBR75	105.00 <i>4.134</i>	5.00 <i>0.197</i>	Brown Fluoroelastomer	Duro 75	Black may be substituted when brown not available
# OR-10600-300-VBR75	106.00 <i>4.173</i>	3.00 <i>0.118</i>	Brown Fluoroelastomer	Duro 75	Black may be substituted when brown not available
# OR-10600-500-VBR75	106.00 <i>4.173</i>	5.00 <i>0.197</i>	Brown Fluoroelastomer	Duro 75	Black may be substituted when brown not available
# OR-10700-250-VBR75	107.00 <i>4.213</i>	2.50 <i>0.098</i>	Brown Fluoroelastomer	Duro 75	Black may be substituted when brown not available
# OR-10700-300-VBR75	107.00 <i>4.213</i>	3.00 <i>0.118</i>	Brown Fluoroelastomer	Duro 75	Black may be substituted when brown not available

Indicates item not stocked at time of printing - Please enquire for lead time

Page 118 of 194

E&OE Pricing and all details subject to change without notice - Copyright Miniature Bearings Australia Pty Ltd

MBA Size Listings are a guide to sizes only and must not be solely relied on for critical design information.

O-Rings - Fluoroelastomer

Part Number	Inside Diameter (I.D.) mm <i>inches</i>	Section (t) mm <i>inches</i>	Material	Hardness	Notes
# OR-10700-500-VBR75	107.00 <i>4.213</i>	5.00 <i>0.197</i>	Brown Fluoroelastomer	Duro 75	Black may be substituted when brown not available
# OR-10732-533-VBR90-347	107.32 <i>4.225</i>	5.33 <i>0.210</i>	Brown Fluoroelastomer	Duro 90	Black may be substituted when brown not available
# OR-10732-533-VBR75-347	107.32 <i>4.225</i>	5.33 <i>0.210</i>	Brown Fluoroelastomer	Duro 75	Black may be substituted when brown not available
# OR-10754-353-VBR90-244	107.54 <i>4.234</i>	3.53 <i>0.139</i>	Brown Fluoroelastomer	Duro 90	Black may be substituted when brown not available
# OR-10754-353-VBR75-244	107.54 <i>4.234</i>	3.53 <i>0.139</i>	Brown Fluoroelastomer	Duro 75	Black may be substituted when brown not available
# OR-10762-262-VBR90-156	107.62 <i>4.237</i>	2.62 <i>0.103</i>	Brown Fluoroelastomer	Duro 90	Black may be substituted when brown not available
# OR-10762-262-VBR75-156	107.62 <i>4.237</i>	2.62 <i>0.103</i>	Brown Fluoroelastomer	Duro 75	Black may be substituted when brown not available
# OR-10767-178-VBR75-046	107.67 <i>4.239</i>	1.78 <i>0.070</i>	Brown Fluoroelastomer	Duro 75	Black may be substituted when brown not available

Indicates item not stocked at time of printing - Please enquire for lead time

Page 119 of 194

E&OE Pricing and all details subject to change without notice - Copyright Miniature Bearings Australia Pty Ltd
MBA Size Listings are a guide to sizes only and must not be solely relied on for critical design information.

O-Rings - Fluoroelastomer

Part Number	Inside Diameter (I.D.) mm <i>inches</i>	Section (t) mm <i>inches</i>	Material	Hardness	Notes
# OR-10767-178-VBR90-046	107.67 <i>4.239</i>	1.78 <i>0.070</i>	Brown Fluoroelastomer	Duro 90	Black may be substituted when brown not available
OR-10800-300-VBR75	108.00 <i>4.252</i>	3.00 <i>0.118</i>	Brown Fluoroelastomer	Duro 75	Black may be substituted when brown not available
# OR-10800-400-VBR75	108.00 <i>4.252</i>	4.00 <i>0.157</i>	Brown Fluoroelastomer	Duro 75	Black may be substituted when brown not available
# OR-10800-500-VBR75	108.00 <i>4.252</i>	5.00 <i>0.197</i>	Brown Fluoroelastomer	Duro 75	Black may be substituted when brown not available
# OR-10900-500-VBR75	109.00 <i>4.291</i>	5.00 <i>0.197</i>	Brown Fluoroelastomer	Duro 75	Black may be substituted when brown not available
# OR-11000-200-VBR75	110.00 <i>4.331</i>	2.00 <i>0.079</i>	Brown Fluoroelastomer	Duro 75	Black may be substituted when brown not available
# OR-11000-250-VBR75	110.00 <i>4.331</i>	2.50 <i>0.098</i>	Brown Fluoroelastomer	Duro 75	Black may be substituted when brown not available
# OR-11000-300-VBR75	110.00 <i>4.331</i>	3.00 <i>0.118</i>	Brown Fluoroelastomer	Duro 75	Black may be substituted when brown not available

Indicates item not stocked at time of printing - Please enquire for lead time

Page 120 of 194

E&OE Pricing and all details subject to change without notice - Copyright Miniature Bearings Australia Pty Ltd

MBA Size Listings are a guide to sizes only and must not be solely relied on for critical design information.

O-Rings - Fluoroelastomer

Part Number	Inside Diameter (I.D.) mm	Section (t) mm	Material	Hardness	Notes
	<i>inches</i>	<i>inches</i>			
# OR-11000-350-VBR75	110.00 <i>4.331</i>	3.50 <i>0.138</i>	Brown Fluoroelastomer	Duro 75	Black may be substituted when brown not available
# OR-11000-400-VBR75	110.00 <i>4.331</i>	4.00 <i>0.157</i>	Brown Fluoroelastomer	Duro 75	Black may be substituted when brown not available
# OR-11000-500-VBR75	110.00 <i>4.331</i>	5.00 <i>0.197</i>	Brown Fluoroelastomer	Duro 75	Black may be substituted when brown not available
# OR-11049-533-VBR75-348	110.49 <i>4.350</i>	5.33 <i>0.210</i>	Brown Fluoroelastomer	Duro 75	Black may be substituted when brown not available
# OR-11049-533-VBR90-348	110.49 <i>4.350</i>	5.33 <i>0.210</i>	Brown Fluoroelastomer	Duro 90	Black may be substituted when brown not available
# OR-11072-353-VBR90-245	110.72 <i>4.359</i>	3.53 <i>0.139</i>	Brown Fluoroelastomer	Duro 90	Black may be substituted when brown not available
# OR-11072-353-VBR75-245	110.72 <i>4.359</i>	3.53 <i>0.139</i>	Brown Fluoroelastomer	Duro 75	Black may be substituted when brown not available
# OR-11200-300-VBR75	112.00 <i>4.409</i>	3.00 <i>0.118</i>	Brown Fluoroelastomer	Duro 75	Black may be substituted when brown not available

Indicates item not stocked at time of printing - Please enquire for lead time

Page 121 of 194

E&OE Pricing and all details subject to change without notice - Copyright Miniature Bearings Australia Pty Ltd
MBA Size Listings are a guide to sizes only and must not be solely relied on for critical design information.

O-Rings - Fluoroelastomer

Part Number	Inside Diameter (I.D.) mm <i>inches</i>	Section (t) mm <i>inches</i>	Material	Hardness	Notes
# OR-11200-400-VBR75	112.00 <i>4.409</i>	4.00 <i>0.157</i>	Brown Fluoroelastomer	Duro 75	Black may be substituted when brown not available
# OR-11300-300-VBR75	113.00 <i>4.449</i>	3.00 <i>0.118</i>	Brown Fluoroelastomer	Duro 75	Black may be substituted when brown not available
# OR-11367-533-VBR90-349	113.67 <i>4.475</i>	5.33 <i>0.210</i>	Brown Fluoroelastomer	Duro 90	Black may be substituted when brown not available
# OR-11367-533-VBR75-349	113.67 <i>4.475</i>	5.33 <i>0.210</i>	Brown Fluoroelastomer	Duro 75	Black may be substituted when brown not available
# OR-11367-699-VBR90-425	113.67 <i>4.475</i>	6.99 <i>0.275</i>	Brown Fluoroelastomer	Duro 90	Black may be substituted when brown not available
# OR-11367-699-VBR75-425	113.67 <i>4.475</i>	6.99 <i>0.275</i>	Brown Fluoroelastomer	Duro 75	Black may be substituted when brown not available
# OR-11389-353-VBR75-246	113.89 <i>4.484</i>	3.53 <i>0.139</i>	Brown Fluoroelastomer	Duro 75	Black may be substituted when brown not available
# OR-11389-353-VBR90-246	113.89 <i>4.484</i>	3.53 <i>0.139</i>	Brown Fluoroelastomer	Duro 90	Black may be substituted when brown not available

Indicates item not stocked at time of printing - Please enquire for lead time

E&OE Pricing and all details subject to change without notice - Copyright Miniature Bearings Australia Pty Ltd

MBA Size Listings are a guide to sizes only and must not be solely relied on for critical design information.

O-Rings - Fluoroelastomer

Part Number	Inside Diameter (I.D.) mm <i>inches</i>	Section (t) mm <i>inches</i>	Material	Hardness	Notes
# OR-11397-262-VBR90-157	113.97 <i>4.487</i>	2.62 <i>0.103</i>	Brown Fluoroelastomer	Duro 90	Black may be substituted when brown not available
# OR-11397-262-VBR75-157	113.97 <i>4.487</i>	2.62 <i>0.103</i>	Brown Fluoroelastomer	Duro 75	Black may be substituted when brown not available
# OR-11400-300-VBR75	114.00 <i>4.488</i>	3.00 <i>0.118</i>	Brown Fluoroelastomer	Duro 75	Black may be substituted when brown not available
# OR-11400-350-VBR75	114.00 <i>4.488</i>	3.50 <i>0.138</i>	Brown Fluoroelastomer	Duro 75	Black may be substituted when brown not available
# OR-11402-178-VBR75-047	114.02 <i>4.489</i>	1.78 <i>0.070</i>	Brown Fluoroelastomer	Duro 75	Black may be substituted when brown not available
# OR-11402-178-VBR90-047	114.02 <i>4.489</i>	1.78 <i>0.070</i>	Brown Fluoroelastomer	Duro 90	Black may be substituted when brown not available
# OR-11500-200-VBR75	115.00 <i>4.528</i>	2.00 <i>0.079</i>	Brown Fluoroelastomer	Duro 75	Black may be substituted when brown not available
# OR-11500-250-VBR75	115.00 <i>4.528</i>	2.50 <i>0.098</i>	Brown Fluoroelastomer	Duro 75	Black may be substituted when brown not available

Indicates item not stocked at time of printing - Please enquire for lead time

Page 123 of 194

E&OE Pricing and all details subject to change without notice - Copyright Miniature Bearings Australia Pty Ltd
MBA Size Listings are a guide to sizes only and must not be solely relied on for critical design information.

O-Rings - Fluoroelastomer

Part Number	Inside Diameter (I.D.) mm	Section (t) mm	Material	Hardness	Notes
	<i>inches</i>	<i>inches</i>			
# OR-11500-300-VBR75	115.00 <i>4.528</i>	3.00 <i>0.118</i>	Brown Fluoroelastomer	Duro 75	Black may be substituted when brown not available
# OR-11500-400-VBR75	115.00 <i>4.528</i>	4.00 <i>0.157</i>	Brown Fluoroelastomer	Duro 75	Black may be substituted when brown not available
# OR-11500-500-VBR75	115.00 <i>4.528</i>	5.00 <i>0.197</i>	Brown Fluoroelastomer	Duro 75	Black may be substituted when brown not available
# OR-11600-400-VBR75	116.00 <i>4.567</i>	4.00 <i>0.157</i>	Brown Fluoroelastomer	Duro 75	Black may be substituted when brown not available
# OR-11684-533-VBR75-350	116.84 <i>4.600</i>	5.33 <i>0.210</i>	Brown Fluoroelastomer	Duro 75	Black may be substituted when brown not available
# OR-11684-533-VBR90-350	116.84 <i>4.600</i>	5.33 <i>0.210</i>	Brown Fluoroelastomer	Duro 90	Black may be substituted when brown not available
# OR-11684-699-VBR75-426	116.84 <i>4.600</i>	6.99 <i>0.275</i>	Brown Fluoroelastomer	Duro 75	Black may be substituted when brown not available
# OR-11684-699-VBR90-426	116.84 <i>4.600</i>	6.99 <i>0.275</i>	Brown Fluoroelastomer	Duro 90	Black may be substituted when brown not available

Indicates item not stocked at time of printing - Please enquire for lead time

Page 124 of 194

E&OE Pricing and all details subject to change without notice - Copyright Miniature Bearings Australia Pty Ltd
MBA Size Listings are a guide to sizes only and must not be solely relied on for critical design information.

O-Rings - Fluoroelastomer

Part Number	Inside Diameter (I.D.) mm <i>inches</i>	Section (t) mm <i>inches</i>	Material	Hardness	Notes
# OR-11700-350-VBR75	117.00 <i>4.606</i>	3.50 <i>0.138</i>	Brown Fluoroelastomer	Duro 75	Black may be substituted when brown not available
# OR-11707-353-VBR90-247	117.07 <i>4.609</i>	3.53 <i>0.139</i>	Brown Fluoroelastomer	Duro 90	Black may be substituted when brown not available
# OR-11707-353-VBR75-247	117.07 <i>4.609</i>	3.53 <i>0.139</i>	Brown Fluoroelastomer	Duro 75	Black may be substituted when brown not available
# OR-11800-300-VBR75	118.00 <i>4.646</i>	3.00 <i>0.118</i>	Brown Fluoroelastomer	Duro 75	Black may be substituted when brown not available
# OR-12000-200-VBR75	120.00 <i>4.724</i>	2.00 <i>0.079</i>	Brown Fluoroelastomer	Duro 75	Black may be substituted when brown not available
# OR-12000-250-VBR75	120.00 <i>4.724</i>	2.50 <i>0.098</i>	Brown Fluoroelastomer	Duro 75	Black may be substituted when brown not available
# OR-12000-300-VBR75	120.00 <i>4.724</i>	3.00 <i>0.118</i>	Brown Fluoroelastomer	Duro 75	Black may be substituted when brown not available
# OR-12000-350-VBR75	120.00 <i>4.724</i>	3.50 <i>0.138</i>	Brown Fluoroelastomer	Duro 75	Black may be substituted when brown not available

Indicates item not stocked at time of printing - Please enquire for lead time

Page 125 of 194

E&OE Pricing and all details subject to change without notice - Copyright Miniature Bearings Australia Pty Ltd
MBA Size Listings are a guide to sizes only and must not be solely relied on for critical design information.

O-Rings - Fluoroelastomer

Part Number	Inside Diameter (I.D.) mm <i>inches</i>	Section (t) mm <i>inches</i>	Material	Hardness	Notes
# OR-12000-400-VBR75	120.00 <i>4.724</i>	4.00 <i>0.157</i>	Brown Fluoroelastomer	Duro 75	Black may be substituted when brown not available
# OR-12000-500-VBR75	120.00 <i>4.724</i>	5.00 <i>0.197</i>	Brown Fluoroelastomer	Duro 75	Black may be substituted when brown not available
# OR-12002-533-VBR75-351	120.02 <i>4.725</i>	5.33 <i>0.210</i>	Brown Fluoroelastomer	Duro 75	Black may be substituted when brown not available
# OR-12002-533-VBR90-351	120.02 <i>4.725</i>	5.33 <i>0.210</i>	Brown Fluoroelastomer	Duro 90	Black may be substituted when brown not available
# OR-12002-699-VBR75-427	120.02 <i>4.725</i>	6.99 <i>0.275</i>	Brown Fluoroelastomer	Duro 75	Black may be substituted when brown not available
# OR-12002-699-VBR90-427	120.02 <i>4.725</i>	6.99 <i>0.275</i>	Brown Fluoroelastomer	Duro 90	Black may be substituted when brown not available
# OR-12024-353-VBR75-248	120.24 <i>4.734</i>	3.53 <i>0.139</i>	Brown Fluoroelastomer	Duro 75	Black may be substituted when brown not available
# OR-12024-353-VBR90-248	120.24 <i>4.734</i>	3.53 <i>0.139</i>	Brown Fluoroelastomer	Duro 90	Black may be substituted when brown not available

Indicates item not stocked at time of printing - Please enquire for lead time

Page 126 of 194

E&OE Pricing and all details subject to change without notice - Copyright Miniature Bearings Australia Pty Ltd

MBA Size Listings are a guide to sizes only and must not be solely relied on for critical design information.

O-Rings - Fluoroelastomer

Part Number	Inside Diameter (I.D.) mm	Section (t) mm	Material	Hardness	Notes
	<i>inches</i>	<i>inches</i>			
# OR-12032-262-VBR90-158	120.32 <i>4.737</i>	2.62 <i>0.103</i>	Brown Fluoroelastomer	Duro 90	Black may be substituted when brown not available
# OR-12032-262-VBR75-158	120.32 <i>4.737</i>	2.62 <i>0.103</i>	Brown Fluoroelastomer	Duro 75	Black may be substituted when brown not available
# OR-12037-178-VBR90-048	120.37 <i>4.739</i>	1.78 <i>0.070</i>	Brown Fluoroelastomer	Duro 90	Black may be substituted when brown not available
# OR-12037-178-VBR75-048	120.37 <i>4.739</i>	1.78 <i>0.070</i>	Brown Fluoroelastomer	Duro 75	Black may be substituted when brown not available
# OR-12200-300-VBR75	122.00 <i>4.803</i>	3.00 <i>0.118</i>	Brown Fluoroelastomer	Duro 75	Black may be substituted when brown not available
# OR-12200-500-VBR75	122.00 <i>4.803</i>	5.00 <i>0.197</i>	Brown Fluoroelastomer	Duro 75	Black may be substituted when brown not available
# OR-12300-400-VBR75	123.00 <i>4.843</i>	4.00 <i>0.157</i>	Brown Fluoroelastomer	Duro 75	Black may be substituted when brown not available
# OR-12319-533-VBR90-352	123.19 <i>4.850</i>	5.33 <i>0.210</i>	Brown Fluoroelastomer	Duro 90	Black may be substituted when brown not available

Indicates item not stocked at time of printing - Please enquire for lead time

E&OE Pricing and all details subject to change without notice - Copyright Miniature Bearings Australia Pty Ltd

MBA Size Listings are a guide to sizes only and must not be solely relied on for critical design information.

O-Rings - Fluoroelastomer

Part Number	Inside Diameter (I.D.) mm <i>inches</i>	Section (t) mm <i>inches</i>	Material	Hardness	Notes
# OR-12319-533-VBR75-352	123.19 <i>4.850</i>	5.33 <i>0.210</i>	Brown Fluoroelastomer	Duro 75	Black may be substituted when brown not available
# OR-12319-699-VBR90-428	123.19 <i>4.850</i>	6.99 <i>0.275</i>	Brown Fluoroelastomer	Duro 90	Black may be substituted when brown not available
# OR-12319-699-VBR75-428	123.19 <i>4.850</i>	6.99 <i>0.275</i>	Brown Fluoroelastomer	Duro 75	Black may be substituted when brown not available
# OR-12342-353-VBR75-249	123.42 <i>4.859</i>	3.53 <i>0.139</i>	Brown Fluoroelastomer	Duro 75	Black may be substituted when brown not available
# OR-12342-353-VBR90-249	123.42 <i>4.859</i>	3.53 <i>0.139</i>	Brown Fluoroelastomer	Duro 90	Black may be substituted when brown not available
# OR-12400-300-VBR75	124.00 <i>4.882</i>	3.00 <i>0.118</i>	Brown Fluoroelastomer	Duro 75	Black may be substituted when brown not available
# OR-12400-400-VBR75	124.00 <i>4.882</i>	4.00 <i>0.157</i>	Brown Fluoroelastomer	Duro 75	Black may be substituted when brown not available
# OR-12500-200-VBR75	125.00 <i>4.921</i>	2.00 <i>0.079</i>	Brown Fluoroelastomer	Duro 75	Black may be substituted when brown not available

Indicates item not stocked at time of printing - Please enquire for lead time

E&OE Pricing and all details subject to change without notice - Copyright Miniature Bearings Australia Pty Ltd

MBA Size Listings are a guide to sizes only and must not be solely relied on for critical design information.

O-Rings - Fluoroelastomer

Part Number	Inside Diameter (I.D.) mm <i>inches</i>	Section (t) mm <i>inches</i>	Material	Hardness	Notes
# OR-12500-250-VBR75	125.00 <i>4.921</i>	2.50 <i>0.098</i>	Brown Fluoroelastomer	Duro 75	Black may be substituted when brown not available
# OR-12500-300-VBR75	125.00 <i>4.921</i>	3.00 <i>0.118</i>	Brown Fluoroelastomer	Duro 75	Black may be substituted when brown not available
# OR-12500-350-VBR75	125.00 <i>4.921</i>	3.50 <i>0.138</i>	Brown Fluoroelastomer	Duro 75	Black may be substituted when brown not available
# OR-12500-400-VBR75	125.00 <i>4.921</i>	4.00 <i>0.157</i>	Brown Fluoroelastomer	Duro 75	Black may be substituted when brown not available
# OR-12500-500-VBR75	125.00 <i>4.921</i>	5.00 <i>0.197</i>	Brown Fluoroelastomer	Duro 75	Black may be substituted when brown not available
# OR-12600-300-VBR75	126.00 <i>4.961</i>	3.00 <i>0.118</i>	Brown Fluoroelastomer	Duro 75	Black may be substituted when brown not available
# OR-12637-533-VBR90-353	126.37 <i>4.975</i>	5.33 <i>0.210</i>	Brown Fluoroelastomer	Duro 90	Black may be substituted when brown not available
# OR-12637-533-VBR75-353	126.37 <i>4.975</i>	5.33 <i>0.210</i>	Brown Fluoroelastomer	Duro 75	Black may be substituted when brown not available

Indicates item not stocked at time of printing - Please enquire for lead time

Page 129 of 194

E&OE Pricing and all details subject to change without notice - Copyright Miniature Bearings Australia Pty Ltd
MBA Size Listings are a guide to sizes only and must not be solely relied on for critical design information.

O-Rings - Fluoroelastomer

Part Number	Inside Diameter (I.D.) mm <i>inches</i>	Section (t) mm <i>inches</i>	Material	Hardness	Notes
# OR-12637-699-VBR90-429	126.37 <i>4.975</i>	6.99 <i>0.275</i>	Brown Fluoroelastomer	Duro 90	Black may be substituted when brown not available
# OR-12637-699-VBR75-429	126.37 <i>4.975</i>	6.99 <i>0.275</i>	Brown Fluoroelastomer	Duro 75	Black may be substituted when brown not available
# OR-12659-353-VBR90-250	126.59 <i>4.984</i>	3.53 <i>0.139</i>	Brown Fluoroelastomer	Duro 90	Black may be substituted when brown not available
# OR-12659-353-VBR75-250	126.59 <i>4.984</i>	3.53 <i>0.139</i>	Brown Fluoroelastomer	Duro 75	Black may be substituted when brown not available
# OR-12667-262-VBR90-159	126.67 <i>4.987</i>	2.62 <i>0.103</i>	Brown Fluoroelastomer	Duro 90	Black may be substituted when brown not available
# OR-12667-262-VBR75-159	126.67 <i>4.987</i>	2.62 <i>0.103</i>	Brown Fluoroelastomer	Duro 75	Black may be substituted when brown not available
# OR-12672-178-VBR90-049	126.72 <i>4.989</i>	1.78 <i>0.070</i>	Brown Fluoroelastomer	Duro 90	Black may be substituted when brown not available
# OR-12672-178-VBR75-049	126.72 <i>4.989</i>	1.78 <i>0.070</i>	Brown Fluoroelastomer	Duro 75	Black may be substituted when brown not available

Indicates item not stocked at time of printing - Please enquire for lead time

E&OE Pricing and all details subject to change without notice - Copyright Miniature Bearings Australia Pty Ltd

MBA Size Listings are a guide to sizes only and must not be solely relied on for critical design information.

O-Rings - Fluoroelastomer

Part Number	Inside Diameter (I.D.) mm <i>inches</i>	Section (t) mm <i>inches</i>	Material	Hardness	Notes
# OR-12800-300-VBR75	128.00 <i>5.039</i>	3.00 <i>0.118</i>	Brown Fluoroelastomer	Duro 75	Black may be substituted when brown not available
# OR-12800-400-VBR75	128.00 <i>5.039</i>	4.00 <i>0.157</i>	Brown Fluoroelastomer	Duro 75	Black may be substituted when brown not available
# OR-12954-533-VBR75-354	129.54 <i>5.100</i>	5.33 <i>0.210</i>	Brown Fluoroelastomer	Duro 75	Black may be substituted when brown not available
# OR-12954-533-VBR90-354	129.54 <i>5.100</i>	5.33 <i>0.210</i>	Brown Fluoroelastomer	Duro 90	Black may be substituted when brown not available
# OR-12954-699-VBR75-430	129.54 <i>5.100</i>	6.99 <i>0.275</i>	Brown Fluoroelastomer	Duro 75	Black may be substituted when brown not available
# OR-12954-699-VBR90-430	129.54 <i>5.100</i>	6.99 <i>0.275</i>	Brown Fluoroelastomer	Duro 90	Black may be substituted when brown not available
# OR-12977-353-VBR90-251	129.77 <i>5.109</i>	3.53 <i>0.139</i>	Brown Fluoroelastomer	Duro 90	Black may be substituted when brown not available
# OR-12977-353-VBR75-251	129.77 <i>5.109</i>	3.53 <i>0.139</i>	Brown Fluoroelastomer	Duro 75	Black may be substituted when brown not available

Indicates item not stocked at time of printing - Please enquire for lead time

Page 131 of 194

E&OE Pricing and all details subject to change without notice - Copyright Miniature Bearings Australia Pty Ltd
MBA Size Listings are a guide to sizes only and must not be solely relied on for critical design information.

O-Rings - Fluoroelastomer

Part Number	Inside Diameter (I.D.) mm <i>inches</i>	Section (t) mm <i>inches</i>	Material	Hardness	Notes
# OR-13000-200-VBR75	130.00 <i>5.118</i>	2.00 <i>0.079</i>	Brown Fluoroelastomer	Duro 75	Black may be substituted when brown not available
# OR-13000-250-VBR75	130.00 <i>5.118</i>	2.50 <i>0.098</i>	Brown Fluoroelastomer	Duro 75	Black may be substituted when brown not available
# OR-13000-350-VBR75	130.00 <i>5.118</i>	3.50 <i>0.138</i>	Brown Fluoroelastomer	Duro 75	Black may be substituted when brown not available
# OR-13000-500-VBR75	130.00 <i>5.118</i>	5.00 <i>0.197</i>	Brown Fluoroelastomer	Duro 75	Black may be substituted when brown not available
# OR-13200-300-VBR75	132.00 <i>5.197</i>	3.00 <i>0.118</i>	Brown Fluoroelastomer	Duro 75	Black may be substituted when brown not available
# OR-13272-533-VBR75-355	132.72 <i>5.225</i>	5.33 <i>0.210</i>	Brown Fluoroelastomer	Duro 75	Black may be substituted when brown not available
# OR-13272-533-VBR90-355	132.72 <i>5.225</i>	5.33 <i>0.210</i>	Brown Fluoroelastomer	Duro 90	Black may be substituted when brown not available
# OR-13272-699-VBR90-431	132.72 <i>5.225</i>	6.99 <i>0.275</i>	Brown Fluoroelastomer	Duro 90	Black may be substituted when brown not available

Indicates item not stocked at time of printing - Please enquire for lead time

Page 132 of 194

E&OE Pricing and all details subject to change without notice - Copyright Miniature Bearings Australia Pty Ltd
MBA Size Listings are a guide to sizes only and must not be solely relied on for critical design information.

O-Rings - Fluoroelastomer

Part Number	Inside Diameter (I.D.) mm <i>inches</i>	Section (t) mm <i>inches</i>	Material	Hardness	Notes
# OR-13272-699-VBR75-431	132.72 <i>5.225</i>	6.99 <i>0.275</i>	Brown Fluoroelastomer	Duro 75	Black may be substituted when brown not available
# OR-13294-353-VBR90-252	132.94 <i>5.234</i>	3.53 <i>0.139</i>	Brown Fluoroelastomer	Duro 90	Black may be substituted when brown not available
# OR-13294-353-VBR75-252	132.94 <i>5.234</i>	3.53 <i>0.139</i>	Brown Fluoroelastomer	Duro 75	Black may be substituted when brown not available
# OR-13300-300-VBR75	133.00 <i>5.236</i>	3.00 <i>0.118</i>	Brown Fluoroelastomer	Duro 75	Black may be substituted when brown not available
# OR-13302-262-VBR90-160	133.02 <i>5.237</i>	2.62 <i>0.103</i>	Brown Fluoroelastomer	Duro 90	Black may be substituted when brown not available
# OR-13302-262-VBR75-160	133.02 <i>5.237</i>	2.62 <i>0.103</i>	Brown Fluoroelastomer	Duro 75	Black may be substituted when brown not available
# OR-13307-178-VBR75-050	133.07 <i>5.239</i>	1.78 <i>0.070</i>	Brown Fluoroelastomer	Duro 75	Black may be substituted when brown not available
# OR-13307-178-VBR90-050	133.07 <i>5.239</i>	1.78 <i>0.070</i>	Brown Fluoroelastomer	Duro 90	Black may be substituted when brown not available

Indicates item not stocked at time of printing - Please enquire for lead time

E&OE Pricing and all details subject to change without notice - Copyright Miniature Bearings Australia Pty Ltd

MBA Size Listings are a guide to sizes only and must not be solely relied on for critical design information.

O-Rings - Fluoroelastomer

Part Number	Inside Diameter (I.D.) mm <i>inches</i>	Section (t) mm <i>inches</i>	Material	Hardness	Notes
# OR-13400-300-VBR75	134.00 <i>5.276</i>	3.00 <i>0.118</i>	Brown Fluoroelastomer	Duro 75	Black may be substituted when brown not available
# OR-13400-400-VBR75	134.00 <i>5.276</i>	4.00 <i>0.157</i>	Brown Fluoroelastomer	Duro 75	Black may be substituted when brown not available
# OR-13500-200-VBR75	135.00 <i>5.315</i>	2.00 <i>0.079</i>	Brown Fluoroelastomer	Duro 75	Black may be substituted when brown not available
# OR-13500-250-VBR75	135.00 <i>5.315</i>	2.50 <i>0.098</i>	Brown Fluoroelastomer	Duro 75	Black may be substituted when brown not available
# OR-13500-300-VBR75	135.00 <i>5.315</i>	3.00 <i>0.118</i>	Brown Fluoroelastomer	Duro 75	Black may be substituted when brown not available
# OR-13500-400-VBR75	135.00 <i>5.315</i>	4.00 <i>0.157</i>	Brown Fluoroelastomer	Duro 75	Black may be substituted when brown not available
# OR-13500-500-VBR75	135.00 <i>5.315</i>	5.00 <i>0.197</i>	Brown Fluoroelastomer	Duro 75	Black may be substituted when brown not available
# OR-13589-533-VBR90-356	135.89 <i>5.350</i>	5.33 <i>0.210</i>	Brown Fluoroelastomer	Duro 90	Black may be substituted when brown not available

Indicates item not stocked at time of printing - Please enquire for lead time

Page 134 of 194

E&OE Pricing and all details subject to change without notice - Copyright Miniature Bearings Australia Pty Ltd

MBA Size Listings are a guide to sizes only and must not be solely relied on for critical design information.

O-Rings - Fluoroelastomer

Part Number	Inside Diameter (I.D.) mm <i>inches</i>	Section (t) mm <i>inches</i>	Material	Hardness	Notes
# OR-13589-533-VBR75-356	135.89 <i>5.350</i>	5.33 <i>0.210</i>	Brown Fluoroelastomer	Duro 75	Black may be substituted when brown not available
# OR-13589-699-VBR75-432	135.89 <i>5.350</i>	6.99 <i>0.275</i>	Brown Fluoroelastomer	Duro 75	Black may be substituted when brown not available
# OR-13589-699-VBR90-432	135.89 <i>5.350</i>	6.99 <i>0.275</i>	Brown Fluoroelastomer	Duro 90	Black may be substituted when brown not available
# OR-13600-300-VBR75	136.00 <i>5.354</i>	3.00 <i>0.118</i>	Brown Fluoroelastomer	Duro 75	Black may be substituted when brown not available
# OR-13612-353-VBR90-253	136.12 <i>5.359</i>	3.53 <i>0.139</i>	Brown Fluoroelastomer	Duro 90	Black may be substituted when brown not available
# OR-13612-353-VBR75-253	136.12 <i>5.359</i>	3.53 <i>0.139</i>	Brown Fluoroelastomer	Duro 75	Black may be substituted when brown not available
# OR-13800-400-VBR75	138.00 <i>5.433</i>	4.00 <i>0.157</i>	Brown Fluoroelastomer	Duro 75	Black may be substituted when brown not available
# OR-13800-500-VBR75	138.00 <i>5.433</i>	5.00 <i>0.197</i>	Brown Fluoroelastomer	Duro 75	Black may be substituted when brown not available

Indicates item not stocked at time of printing - Please enquire for lead time

Page 135 of 194

E&OE Pricing and all details subject to change without notice - Copyright Miniature Bearings Australia Pty Ltd

MBA Size Listings are a guide to sizes only and must not be solely relied on for critical design information.

O-Rings - Fluoroelastomer

Part Number	Inside Diameter (I.D.) mm	Section (t) mm	Material	Hardness	Notes
	<i>inches</i>	<i>inches</i>			
# OR-13907-533-VBR90-357	139.07	5.33	Brown Fluoroelastomer	Duro 90	Black may be substituted when brown not available
	<i>5.475</i>	<i>0.210</i>			
# OR-13907-533-VBR75-357	139.07	5.33	Brown Fluoroelastomer	Duro 75	Black may be substituted when brown not available
	<i>5.475</i>	<i>0.210</i>			
# OR-13907-699-VBR90-433	139.07	6.99	Brown Fluoroelastomer	Duro 90	Black may be substituted when brown not available
	<i>5.475</i>	<i>0.275</i>			
# OR-13907-699-VBR75-433	139.07	6.99	Brown Fluoroelastomer	Duro 75	Black may be substituted when brown not available
	<i>5.475</i>	<i>0.275</i>			
# OR-13929-353-VBR90-254	139.29	3.53	Brown Fluoroelastomer	Duro 90	Black may be substituted when brown not available
	<i>5.484</i>	<i>0.139</i>			
# OR-13929-353-VBR75-254	139.29	3.53	Brown Fluoroelastomer	Duro 75	Black may be substituted when brown not available
	<i>5.484</i>	<i>0.139</i>			
# OR-13937-262-VBR75-161	139.37	2.62	Brown Fluoroelastomer	Duro 75	Black may be substituted when brown not available
	<i>5.487</i>	<i>0.103</i>			
# OR-13937-262-VBR90-161	139.37	2.62	Brown Fluoroelastomer	Duro 90	Black may be substituted when brown not available
	<i>5.487</i>	<i>0.103</i>			

Indicates item not stocked at time of printing - Please enquire for lead time

Page 136 of 194

E&OE Pricing and all details subject to change without notice - Copyright Miniature Bearings Australia Pty Ltd

MBA Size Listings are a guide to sizes only and must not be solely relied on for critical design information.

O-Rings - Fluoroelastomer

Part Number	Inside Diameter (I.D.) mm <i>inches</i>	Section (t) mm <i>inches</i>	Material	Hardness	Notes
# OR-14000-200-VBR75	140.00 <i>5.512</i>	2.00 <i>0.079</i>	Brown Fluoroelastomer	Duro 75	Black may be substituted when brown not available
# OR-14000-250-VBR75	140.00 <i>5.512</i>	2.50 <i>0.098</i>	Brown Fluoroelastomer	Duro 75	Black may be substituted when brown not available
# OR-14000-300-VBR75	140.00 <i>5.512</i>	3.00 <i>0.118</i>	Brown Fluoroelastomer	Duro 75	Black may be substituted when brown not available
# OR-14000-350-VBR75	140.00 <i>5.512</i>	3.50 <i>0.138</i>	Brown Fluoroelastomer	Duro 75	Black may be substituted when brown not available
# OR-14000-400-VBR75	140.00 <i>5.512</i>	4.00 <i>0.157</i>	Brown Fluoroelastomer	Duro 75	Black may be substituted when brown not available
# OR-14000-500-VBR75	140.00 <i>5.512</i>	5.00 <i>0.197</i>	Brown Fluoroelastomer	Duro 75	Black may be substituted when brown not available
# OR-14200-400-VBR75	142.00 <i>5.591</i>	4.00 <i>0.157</i>	Brown Fluoroelastomer	Duro 75	Black may be substituted when brown not available
# OR-14224-533-VBR75-358	142.24 <i>5.600</i>	5.33 <i>0.210</i>	Brown Fluoroelastomer	Duro 75	Black may be substituted when brown not available

Indicates item not stocked at time of printing - Please enquire for lead time

E&OE Pricing and all details subject to change without notice - Copyright Miniature Bearings Australia Pty Ltd

MBA Size Listings are a guide to sizes only and must not be solely relied on for critical design information.

O-Rings - Fluoroelastomer

Part Number	Inside Diameter (I.D.) mm <i>inches</i>	Section (t) mm <i>inches</i>	Material	Hardness	Notes
# OR-14224-533-VBR90-358	142.24 <i>5.600</i>	5.33 <i>0.210</i>	Brown Fluoroelastomer	Duro 90	Black may be substituted when brown not available
# OR-14224-699-VBR75-434	142.24 <i>5.600</i>	6.99 <i>0.275</i>	Brown Fluoroelastomer	Duro 75	Black may be substituted when brown not available
# OR-14224-699-VBR90-434	142.24 <i>5.600</i>	6.99 <i>0.275</i>	Brown Fluoroelastomer	Duro 90	Black may be substituted when brown not available
# OR-14247-353-VBR90-255	142.47 <i>5.609</i>	3.53 <i>0.139</i>	Brown Fluoroelastomer	Duro 90	Black may be substituted when brown not available
# OR-14247-353-VBR75-255	142.47 <i>5.609</i>	3.53 <i>0.139</i>	Brown Fluoroelastomer	Duro 75	Black may be substituted when brown not available
# OR-14300-400-VBR75	143.00 <i>5.630</i>	4.00 <i>0.157</i>	Brown Fluoroelastomer	Duro 75	Black may be substituted when brown not available
# OR-14400-400-VBR75	144.00 <i>5.669</i>	4.00 <i>0.157</i>	Brown Fluoroelastomer	Duro 75	Black may be substituted when brown not available
# OR-14500-250-VBR75	145.00 <i>5.709</i>	2.50 <i>0.098</i>	Brown Fluoroelastomer	Duro 75	Black may be substituted when brown not available

Indicates item not stocked at time of printing - Please enquire for lead time

Page 138 of 194

E&OE Pricing and all details subject to change without notice - Copyright Miniature Bearings Australia Pty Ltd
MBA Size Listings are a guide to sizes only and must not be solely relied on for critical design information.

O-Rings - Fluoroelastomer

Part Number	Inside Diameter (I.D.) mm	Section (t) mm	Material	Hardness	Notes
	<i>inches</i>	<i>inches</i>			
# OR-14500-300-VBR75	145.00 <i>5.709</i>	3.00 <i>0.118</i>	Brown Fluoroelastomer	Duro 75	Black may be substituted when brown not available
# OR-14500-400-VBR75	145.00 <i>5.709</i>	4.00 <i>0.157</i>	Brown Fluoroelastomer	Duro 75	Black may be substituted when brown not available
# OR-14500-500-VBR75	145.00 <i>5.709</i>	5.00 <i>0.197</i>	Brown Fluoroelastomer	Duro 75	Black may be substituted when brown not available
# OR-14542-533-VBR75-359	145.42 <i>5.725</i>	5.33 <i>0.210</i>	Brown Fluoroelastomer	Duro 75	Black may be substituted when brown not available
# OR-14542-533-VBR90-359	145.42 <i>5.725</i>	5.33 <i>0.210</i>	Brown Fluoroelastomer	Duro 90	Black may be substituted when brown not available
# OR-14542-699-VBR90-435	145.42 <i>5.725</i>	6.99 <i>0.275</i>	Brown Fluoroelastomer	Duro 90	Black may be substituted when brown not available
# OR-14542-699-VBR75-435	145.42 <i>5.725</i>	6.99 <i>0.275</i>	Brown Fluoroelastomer	Duro 75	Black may be substituted when brown not available
# OR-14564-353-VBR75-256	145.64 <i>5.734</i>	3.53 <i>0.139</i>	Brown Fluoroelastomer	Duro 75	Black may be substituted when brown not available

Indicates item not stocked at time of printing - Please enquire for lead time

Page 139 of 194

E&OE Pricing and all details subject to change without notice - Copyright Miniature Bearings Australia Pty Ltd

MBA Size Listings are a guide to sizes only and must not be solely relied on for critical design information.

O-Rings - Fluoroelastomer

Part Number	Inside Diameter (I.D.) mm <i>inches</i>	Section (t) mm <i>inches</i>	Material	Hardness	Notes
# OR-14564-353-VBR90-256	145.64 <i>5.734</i>	3.53 <i>0.139</i>	Brown Fluoroelastomer	Duro 90	Black may be substituted when brown not available
# OR-14572-262-VBR90-162	145.72 <i>5.737</i>	2.62 <i>0.103</i>	Brown Fluoroelastomer	Duro 90	Black may be substituted when brown not available
# OR-14572-262-VBR75-162	145.72 <i>5.737</i>	2.62 <i>0.103</i>	Brown Fluoroelastomer	Duro 75	Black may be substituted when brown not available
# OR-14700-500-VBR75	147.00 <i>5.787</i>	5.00 <i>0.197</i>	Brown Fluoroelastomer	Duro 75	Black may be substituted when brown not available
# OR-14800-200-VBR75	148.00 <i>5.827</i>	2.00 <i>0.079</i>	Brown Fluoroelastomer	Duro 75	Black may be substituted when brown not available
# OR-14800-400-VBR75	148.00 <i>5.827</i>	4.00 <i>0.157</i>	Brown Fluoroelastomer	Duro 75	Black may be substituted when brown not available
# OR-14800-500-VBR75	148.00 <i>5.827</i>	5.00 <i>0.197</i>	Brown Fluoroelastomer	Duro 75	Black may be substituted when brown not available
# OR-14859-533-VBR75-360	148.59 <i>5.850</i>	5.33 <i>0.210</i>	Brown Fluoroelastomer	Duro 75	Black may be substituted when brown not available

Indicates item not stocked at time of printing - Please enquire for lead time

Page 140 of 194

E&OE Pricing and all details subject to change without notice - Copyright Miniature Bearings Australia Pty Ltd

MBA Size Listings are a guide to sizes only and must not be solely relied on for critical design information.

O-Rings - Fluoroelastomer

Part Number	Inside Diameter (I.D.) mm <i>inches</i>	Section (t) mm <i>inches</i>	Material	Hardness	Notes
# OR-14859-533-VBR90-360	148.59 <i>5.850</i>	5.33 <i>0.210</i>	Brown Fluoroelastomer	Duro 90	Black may be substituted when brown not available
# OR-14859-699-VBR75-436	148.59 <i>5.850</i>	6.99 <i>0.275</i>	Brown Fluoroelastomer	Duro 75	Black may be substituted when brown not available
# OR-14859-699-VBR90-436	148.59 <i>5.850</i>	6.99 <i>0.275</i>	Brown Fluoroelastomer	Duro 90	Black may be substituted when brown not available
# OR-14882-353-VBR90-257	148.82 <i>5.859</i>	3.53 <i>0.139</i>	Brown Fluoroelastomer	Duro 90	Black may be substituted when brown not available
# OR-14882-353-VBR75-257	148.82 <i>5.859</i>	3.53 <i>0.139</i>	Brown Fluoroelastomer	Duro 75	Black may be substituted when brown not available
# OR-15000-200-VBR75	150.00 <i>5.906</i>	2.00 <i>0.079</i>	Brown Fluoroelastomer	Duro 75	Black may be substituted when brown not available
# OR-15000-300-VBR75	150.00 <i>5.906</i>	3.00 <i>0.118</i>	Brown Fluoroelastomer	Duro 75	Black may be substituted when brown not available
# OR-15000-350-VBR75	150.00 <i>5.906</i>	3.50 <i>0.138</i>	Brown Fluoroelastomer	Duro 75	Black may be substituted when brown not available

Indicates item not stocked at time of printing - Please enquire for lead time

E&OE Pricing and all details subject to change without notice - Copyright Miniature Bearings Australia Pty Ltd

MBA Size Listings are a guide to sizes only and must not be solely relied on for critical design information.

O-Rings - Fluoroelastomer

Part Number	Inside Diameter (I.D.) mm <i>inches</i>	Section (t) mm <i>inches</i>	Material	Hardness	Notes
# OR-15000-400-VBR75	150.00 <i>5.906</i>	4.00 <i>0.157</i>	Brown Fluoroelastomer	Duro 75	Black may be substituted when brown not available
# OR-15000-500-VBR75	150.00 <i>5.906</i>	5.00 <i>0.197</i>	Brown Fluoroelastomer	Duro 75	Black may be substituted when brown not available
# OR-15177-533-VBR90-361	151.77 <i>5.975</i>	5.33 <i>0.210</i>	Brown Fluoroelastomer	Duro 90	Black may be substituted when brown not available
# OR-15177-533-VBR75-361	151.77 <i>5.975</i>	5.33 <i>0.210</i>	Brown Fluoroelastomer	Duro 75	Black may be substituted when brown not available
# OR-15177-699-VBR90-437	151.77 <i>5.975</i>	6.99 <i>0.275</i>	Brown Fluoroelastomer	Duro 90	Black may be substituted when brown not available
# OR-15177-699-VBR75-437	151.77 <i>5.975</i>	6.99 <i>0.275</i>	Brown Fluoroelastomer	Duro 75	Black may be substituted when brown not available
# OR-15199-353-VBR90-258	151.99 <i>5.984</i>	3.53 <i>0.139</i>	Brown Fluoroelastomer	Duro 90	Black may be substituted when brown not available
# OR-15199-353-VBR75-258	151.99 <i>5.984</i>	3.53 <i>0.139</i>	Brown Fluoroelastomer	Duro 75	Black may be substituted when brown not available

Indicates item not stocked at time of printing - Please enquire for lead time

Page 142 of 194

E&OE Pricing and all details subject to change without notice - Copyright Miniature Bearings Australia Pty Ltd
MBA Size Listings are a guide to sizes only and must not be solely relied on for critical design information.

O-Rings - Fluoroelastomer

Part Number	Inside Diameter (I.D.) mm <i>inches</i>	Section (t) mm <i>inches</i>	Material	Hardness	Notes
# OR-15200-300-VBR75	152.00 <i>5.984</i>	3.00 <i>0.118</i>	Brown Fluoroelastomer	Duro 75	Black may be substituted when brown not available
# OR-15207-262-VBR90-163	152.07 <i>5.987</i>	2.62 <i>0.103</i>	Brown Fluoroelastomer	Duro 90	Black may be substituted when brown not available
# OR-15207-262-VBR75-163	152.07 <i>5.987</i>	2.62 <i>0.103</i>	Brown Fluoroelastomer	Duro 75	Black may be substituted when brown not available
# OR-15300-400-VBR75	153.00 <i>6.024</i>	4.00 <i>0.157</i>	Brown Fluoroelastomer	Duro 75	Black may be substituted when brown not available
# OR-15500-300-VBR75	155.00 <i>6.102</i>	3.00 <i>0.118</i>	Brown Fluoroelastomer	Duro 75	Black may be substituted when brown not available
# OR-15500-400-VBR75	155.00 <i>6.102</i>	4.00 <i>0.157</i>	Brown Fluoroelastomer	Duro 75	Black may be substituted when brown not available
# OR-15500-500-VBR75	155.00 <i>6.102</i>	5.00 <i>0.197</i>	Brown Fluoroelastomer	Duro 75	Black may be substituted when brown not available
# OR-15812-533-VBR90-362	158.12 <i>6.225</i>	5.33 <i>0.210</i>	Brown Fluoroelastomer	Duro 90	Black may be substituted when brown not available

Indicates item not stocked at time of printing - Please enquire for lead time

Page 143 of 194

E&OE Pricing and all details subject to change without notice - Copyright Miniature Bearings Australia Pty Ltd

MBA Size Listings are a guide to sizes only and must not be solely relied on for critical design information.

O-Rings - Fluoroelastomer

Part Number	Inside Diameter (I.D.) mm <i>inches</i>	Section (t) mm <i>inches</i>	Material	Hardness	Notes
# OR-15812-533-VBR75-362	158.12 <i>6.225</i>	5.33 <i>0.210</i>	Brown Fluoroelastomer	Duro 75	Black may be substituted when brown not available
# OR-15812-699-VBR90-438	158.12 <i>6.225</i>	6.99 <i>0.275</i>	Brown Fluoroelastomer	Duro 90	Black may be substituted when brown not available
# OR-15812-699-VBR75-438	158.12 <i>6.225</i>	6.99 <i>0.275</i>	Brown Fluoroelastomer	Duro 75	Black may be substituted when brown not available
# OR-15834-353-VBR75-259	158.34 <i>6.234</i>	3.53 <i>0.139</i>	Brown Fluoroelastomer	Duro 75	Black may be substituted when brown not available
# OR-15834-353-VBR90-259	158.34 <i>6.234</i>	3.53 <i>0.139</i>	Brown Fluoroelastomer	Duro 90	Black may be substituted when brown not available
# OR-15842-262-VBR90-164	158.42 <i>6.237</i>	2.62 <i>0.103</i>	Brown Fluoroelastomer	Duro 90	Black may be substituted when brown not available
# OR-15842-262-VBR75-164	158.42 <i>6.237</i>	2.62 <i>0.103</i>	Brown Fluoroelastomer	Duro 75	Black may be substituted when brown not available
# OR-16000-300-VBR75	160.00 <i>6.299</i>	3.00 <i>0.118</i>	Brown Fluoroelastomer	Duro 75	Black may be substituted when brown not available

Indicates item not stocked at time of printing - Please enquire for lead time

Page 144 of 194

E&OE Pricing and all details subject to change without notice - Copyright Miniature Bearings Australia Pty Ltd
MBA Size Listings are a guide to sizes only and must not be solely relied on for critical design information.

O-Rings - Fluoroelastomer

Part Number	Inside Diameter (I.D.) mm <i>inches</i>	Section (t) mm <i>inches</i>	Material	Hardness	Notes
# OR-16000-350-VBR75	160.00 <i>6.299</i>	3.50 <i>0.138</i>	Brown Fluoroelastomer	Duro 75	Black may be substituted when brown not available
# OR-16000-400-VBR75	160.00 <i>6.299</i>	4.00 <i>0.157</i>	Brown Fluoroelastomer	Duro 75	Black may be substituted when brown not available
# OR-16000-500-VBR75	160.00 <i>6.299</i>	5.00 <i>0.197</i>	Brown Fluoroelastomer	Duro 75	Black may be substituted when brown not available
# OR-16400-300-VBR75	164.00 <i>6.457</i>	3.00 <i>0.118</i>	Brown Fluoroelastomer	Duro 75	Black may be substituted when brown not available
# OR-16447-533-VBR75-363	164.47 <i>6.475</i>	5.33 <i>0.210</i>	Brown Fluoroelastomer	Duro 75	Black may be substituted when brown not available
# OR-16447-533-VBR90-363	164.47 <i>6.475</i>	5.33 <i>0.210</i>	Brown Fluoroelastomer	Duro 90	Black may be substituted when brown not available
# OR-16447-699-VBR90-439	164.47 <i>6.475</i>	6.99 <i>0.275</i>	Brown Fluoroelastomer	Duro 90	Black may be substituted when brown not available
# OR-16447-699-VBR75-439	164.47 <i>6.475</i>	6.99 <i>0.275</i>	Brown Fluoroelastomer	Duro 75	Black may be substituted when brown not available

Indicates item not stocked at time of printing - Please enquire for lead time

E&OE Pricing and all details subject to change without notice - Copyright Miniature Bearings Australia Pty Ltd

MBA Size Listings are a guide to sizes only and must not be solely relied on for critical design information.

O-Rings - Fluoroelastomer

Part Number	Inside Diameter (I.D.) mm <i>inches</i>	Section (t) mm <i>inches</i>	Material	Hardness	Notes
# OR-16469-353-VBR75-260	164.69 <i>6.484</i>	3.53 <i>0.139</i>	Brown Fluoroelastomer	Duro 75	Black may be substituted when brown not available
# OR-16469-353-VBR90-260	164.69 <i>6.484</i>	3.53 <i>0.139</i>	Brown Fluoroelastomer	Duro 90	Black may be substituted when brown not available
# OR-16477-262-VBR90-165	164.77 <i>6.487</i>	2.62 <i>0.103</i>	Brown Fluoroelastomer	Duro 90	Black may be substituted when brown not available
# OR-16477-262-VBR75-165	164.77 <i>6.487</i>	2.62 <i>0.103</i>	Brown Fluoroelastomer	Duro 75	Black may be substituted when brown not available
# OR-16500-300-VBR75	165.00 <i>6.496</i>	3.00 <i>0.118</i>	Brown Fluoroelastomer	Duro 75	Black may be substituted when brown not available
# OR-16500-400-VBR75	165.00 <i>6.496</i>	4.00 <i>0.157</i>	Brown Fluoroelastomer	Duro 75	Black may be substituted when brown not available
# OR-16500-500-VBR75	165.00 <i>6.496</i>	5.00 <i>0.197</i>	Brown Fluoroelastomer	Duro 75	Black may be substituted when brown not available
# OR-16800-300-VBR75	168.00 <i>6.614</i>	3.00 <i>0.118</i>	Brown Fluoroelastomer	Duro 75	Black may be substituted when brown not available

Indicates item not stocked at time of printing - Please enquire for lead time

Page 146 of 194

E&OE Pricing and all details subject to change without notice - Copyright Miniature Bearings Australia Pty Ltd
MBA Size Listings are a guide to sizes only and must not be solely relied on for critical design information.

O-Rings - Fluoroelastomer

Part Number	Inside Diameter (I.D.) mm <i>inches</i>	Section (t) mm <i>inches</i>	Material	Hardness	Notes
# OR-16800-400-VBR75	168.00 <i>6.614</i>	4.00 <i>0.157</i>	Brown Fluoroelastomer	Duro 75	Black may be substituted when brown not available
# OR-16900-300-VBR75	169.00 <i>6.654</i>	3.00 <i>0.118</i>	Brown Fluoroelastomer	Duro 75	Black may be substituted when brown not available
# OR-17000-300-VBR75	170.00 <i>6.693</i>	3.00 <i>0.118</i>	Brown Fluoroelastomer	Duro 75	Black may be substituted when brown not available
# OR-17000-350-VBR75	170.00 <i>6.693</i>	3.50 <i>0.138</i>	Brown Fluoroelastomer	Duro 75	Black may be substituted when brown not available
# OR-17000-400-VBR75	170.00 <i>6.693</i>	4.00 <i>0.157</i>	Brown Fluoroelastomer	Duro 75	Black may be substituted when brown not available
# OR-17000-500-VBR75	170.00 <i>6.693</i>	5.00 <i>0.197</i>	Brown Fluoroelastomer	Duro 75	Black may be substituted when brown not available
# OR-17082-533-VBR90-364	170.82 <i>6.725</i>	5.33 <i>0.210</i>	Brown Fluoroelastomer	Duro 90	Black may be substituted when brown not available
# OR-17082-533-VBR75-364	170.82 <i>6.725</i>	5.33 <i>0.210</i>	Brown Fluoroelastomer	Duro 75	Black may be substituted when brown not available

Indicates item not stocked at time of printing - Please enquire for lead time

E&OE Pricing and all details subject to change without notice - Copyright Miniature Bearings Australia Pty Ltd

MBA Size Listings are a guide to sizes only and must not be solely relied on for critical design information.

O-Rings - Fluoroelastomer

Part Number	Inside Diameter (I.D.) mm	Section (t) mm	Material	Hardness	Notes
	<i>inches</i>	<i>inches</i>			
# OR-17082-699-VBR90-440	170.82 <i>6.725</i>	6.99 <i>0.275</i>	Brown Fluoroelastomer	Duro 90	Black may be substituted when brown not available
# OR-17104-353-VBR90-261	171.04 <i>6.734</i>	3.53 <i>0.139</i>	Brown Fluoroelastomer	Duro 90	Black may be substituted when brown not available
# OR-17104-353-VBR75-261	171.04 <i>6.734</i>	3.53 <i>0.139</i>	Brown Fluoroelastomer	Duro 75	Black may be substituted when brown not available
# OR-17112-262-VBR90-166	171.12 <i>6.737</i>	2.62 <i>0.103</i>	Brown Fluoroelastomer	Duro 90	Black may be substituted when brown not available
# OR-17112-262-VBR75-166	171.12 <i>6.737</i>	2.62 <i>0.103</i>	Brown Fluoroelastomer	Duro 75	Black may be substituted when brown not available
# OR-17200-300-VBR75	172.00 <i>6.772</i>	3.00 <i>0.118</i>	Brown Fluoroelastomer	Duro 75	Black may be substituted when brown not available
# OR-17200-400-VBR75	172.00 <i>6.772</i>	4.00 <i>0.157</i>	Brown Fluoroelastomer	Duro 75	Black may be substituted when brown not available
# OR-17200-500-VBR75	172.00 <i>6.772</i>	5.00 <i>0.197</i>	Brown Fluoroelastomer	Duro 75	Black may be substituted when brown not available

Indicates item not stocked at time of printing - Please enquire for lead time

E&OE Pricing and all details subject to change without notice - Copyright Miniature Bearings Australia Pty Ltd

MBA Size Listings are a guide to sizes only and must not be solely relied on for critical design information.

O-Rings - Fluoroelastomer

Part Number	Inside Diameter (I.D.) mm <i>inches</i>	Section (t) mm <i>inches</i>	Material	Hardness	Notes
# OR-17400-300-VBR75	174.00 <i>6.850</i>	3.00 <i>0.118</i>	Brown Fluoroelastomer	Duro 75	Black may be substituted when brown not available
# OR-17500-300-VBR75	175.00 <i>6.890</i>	3.00 <i>0.118</i>	Brown Fluoroelastomer	Duro 75	Black may be substituted when brown not available
# OR-17500-400-VBR75	175.00 <i>6.890</i>	4.00 <i>0.157</i>	Brown Fluoroelastomer	Duro 75	Black may be substituted when brown not available
# OR-17500-500-VBR75	175.00 <i>6.890</i>	5.00 <i>0.197</i>	Brown Fluoroelastomer	Duro 75	Black may be substituted when brown not available
# OR-17600-500-VBR75	176.00 <i>6.929</i>	5.00 <i>0.197</i>	Brown Fluoroelastomer	Duro 75	Black may be substituted when brown not available
# OR-17700-300-VBR75	177.00 <i>6.969</i>	3.00 <i>0.118</i>	Brown Fluoroelastomer	Duro 75	Black may be substituted when brown not available
# OR-17717-533-VBR90-365	177.17 <i>6.975</i>	5.33 <i>0.210</i>	Brown Fluoroelastomer	Duro 90	Black may be substituted when brown not available
# OR-17717-533-VBR75-365	177.17 <i>6.975</i>	5.33 <i>0.210</i>	Brown Fluoroelastomer	Duro 75	Black may be substituted when brown not available

Indicates item not stocked at time of printing - Please enquire for lead time

Page 149 of 194

E&OE Pricing and all details subject to change without notice - Copyright Miniature Bearings Australia Pty Ltd
MBA Size Listings are a guide to sizes only and must not be solely relied on for critical design information.

O-Rings - Fluoroelastomer

Part Number	Inside Diameter (I.D.) mm <i>inches</i>	Section (t) mm <i>inches</i>	Material	Hardness	Notes
# OR-17717-699-VBR90-441	177.17 <i>6.975</i>	6.99 <i>0.275</i>	Brown Fluoroelastomer	Duro 90	Black may be substituted when brown not available
# OR-17717-699-VBR75-441	177.17 <i>6.975</i>	6.99 <i>0.275</i>	Brown Fluoroelastomer	Duro 75	Black may be substituted when brown not available
# OR-17739-353-VBR90-262	177.39 <i>6.984</i>	3.53 <i>0.139</i>	Brown Fluoroelastomer	Duro 90	Black may be substituted when brown not available
# OR-17739-353-VBR75-262	177.39 <i>6.984</i>	3.53 <i>0.139</i>	Brown Fluoroelastomer	Duro 75	Black may be substituted when brown not available
# OR-17747-262-VBR90-167	177.47 <i>6.987</i>	2.62 <i>0.103</i>	Brown Fluoroelastomer	Duro 90	Black may be substituted when brown not available
# OR-17747-262-VBR75-167	177.47 <i>6.987</i>	2.62 <i>0.103</i>	Brown Fluoroelastomer	Duro 75	Black may be substituted when brown not available
# OR-17900-300-VBR75	179.00 <i>7.047</i>	3.00 <i>0.118</i>	Brown Fluoroelastomer	Duro 75	Black may be substituted when brown not available
# OR-18000-300-VBR75	180.00 <i>7.087</i>	3.00 <i>0.118</i>	Brown Fluoroelastomer	Duro 75	Black may be substituted when brown not available

Indicates item not stocked at time of printing - Please enquire for lead time

Page 150 of 194

E&OE Pricing and all details subject to change without notice - Copyright Miniature Bearings Australia Pty Ltd
MBA Size Listings are a guide to sizes only and must not be solely relied on for critical design information.

O-Rings - Fluoroelastomer

Part Number	Inside Diameter (I.D.) mm <i>inches</i>	Section (t) mm <i>inches</i>	Material	Hardness	Notes
# OR-18000-350-VBR75	180.00 <i>7.087</i>	3.50 <i>0.138</i>	Brown Fluoroelastomer	Duro 75	Black may be substituted when brown not available
# OR-18000-400-VBR75	180.00 <i>7.087</i>	4.00 <i>0.157</i>	Brown Fluoroelastomer	Duro 75	Black may be substituted when brown not available
# OR-18000-500-VBR75	180.00 <i>7.087</i>	5.00 <i>0.197</i>	Brown Fluoroelastomer	Duro 75	Black may be substituted when brown not available
# OR-18100-300-VBR75	181.00 <i>7.126</i>	3.00 <i>0.118</i>	Brown Fluoroelastomer	Duro 75	Black may be substituted when brown not available
# OR-18200-300-VBR75	182.00 <i>7.165</i>	3.00 <i>0.118</i>	Brown Fluoroelastomer	Duro 75	Black may be substituted when brown not available
# OR-18200-500-VBR75	182.00 <i>7.165</i>	5.00 <i>0.197</i>	Brown Fluoroelastomer	Duro 75	Black may be substituted when brown not available
# OR-18300-400-VBR75	183.00 <i>7.205</i>	4.00 <i>0.157</i>	Brown Fluoroelastomer	Duro 75	Black may be substituted when brown not available
# OR-18352-533-VBR75-366	183.52 <i>7.225</i>	5.33 <i>0.210</i>	Brown Fluoroelastomer	Duro 75	Black may be substituted when brown not available

Indicates item not stocked at time of printing - Please enquire for lead time

Page 151 of 194

E&OE Pricing and all details subject to change without notice - Copyright Miniature Bearings Australia Pty Ltd

MBA Size Listings are a guide to sizes only and must not be solely relied on for critical design information.

O-Rings - Fluoroelastomer

Part Number	Inside Diameter (I.D.) mm <i>inches</i>	Section (t) mm <i>inches</i>	Material	Hardness	Notes
# OR-18352-533-VBR90-366	183.52 <i>7.225</i>	5.33 <i>0.210</i>	Brown Fluoroelastomer	Duro 90	Black may be substituted when brown not available
# OR-18352-699-VBR75-442	183.52 <i>7.225</i>	6.99 <i>0.275</i>	Brown Fluoroelastomer	Duro 75	Black may be substituted when brown not available
# OR-18352-699-VBR90-442	183.52 <i>7.225</i>	6.99 <i>0.275</i>	Brown Fluoroelastomer	Duro 90	Black may be substituted when brown not available
# OR-18374-353-VBR75-263	183.74 <i>7.234</i>	3.53 <i>0.139</i>	Brown Fluoroelastomer	Duro 75	Black may be substituted when brown not available
# OR-18374-353-VBR90-263	183.74 <i>7.234</i>	3.53 <i>0.139</i>	Brown Fluoroelastomer	Duro 90	Black may be substituted when brown not available
# OR-18382-262-VBR90-168	183.82 <i>7.237</i>	2.62 <i>0.103</i>	Brown Fluoroelastomer	Duro 90	Black may be substituted when brown not available
# OR-18382-262-VBR75-168	183.82 <i>7.237</i>	2.62 <i>0.103</i>	Brown Fluoroelastomer	Duro 75	Black may be substituted when brown not available
# OR-18500-300-VBR75	185.00 <i>7.283</i>	3.00 <i>0.118</i>	Brown Fluoroelastomer	Duro 75	Black may be substituted when brown not available

Indicates item not stocked at time of printing - Please enquire for lead time

E&OE Pricing and all details subject to change without notice - Copyright Miniature Bearings Australia Pty Ltd

MBA Size Listings are a guide to sizes only and must not be solely relied on for critical design information.

O-Rings - Fluoroelastomer

Part Number	Inside Diameter (I.D.) mm <i>inches</i>	Section (t) mm <i>inches</i>	Material	Hardness	Notes
# OR-18500-400-VBR75	185.00 <i>7.283</i>	4.00 <i>0.157</i>	Brown Fluoroelastomer	Duro 75	Black may be substituted when brown not available
# OR-18500-500-VBR75	185.00 <i>7.283</i>	5.00 <i>0.197</i>	Brown Fluoroelastomer	Duro 75	Black may be substituted when brown not available
# OR-18800-400-VBR75	188.00 <i>7.402</i>	4.00 <i>0.157</i>	Brown Fluoroelastomer	Duro 75	Black may be substituted when brown not available
# OR-18987-533-VBR90-367	189.87 <i>7.475</i>	5.33 <i>0.210</i>	Brown Fluoroelastomer	Duro 90	Black may be substituted when brown not available
# OR-18987-533-VBR75-367	189.87 <i>7.475</i>	5.33 <i>0.210</i>	Brown Fluoroelastomer	Duro 75	Black may be substituted when brown not available
# OR-18987-699-VBR90-443	189.87 <i>7.475</i>	6.99 <i>0.275</i>	Brown Fluoroelastomer	Duro 90	Black may be substituted when brown not available
# OR-18987-699-VBR75-443	189.87 <i>7.475</i>	6.99 <i>0.275</i>	Brown Fluoroelastomer	Duro 75	Black may be substituted when brown not available
# OR-19000-300-VBR75	190.00 <i>7.480</i>	3.00 <i>0.118</i>	Brown Fluoroelastomer	Duro 75	Black may be substituted when brown not available

Indicates item not stocked at time of printing - Please enquire for lead time

Page 153 of 194

E&OE Pricing and all details subject to change without notice - Copyright Miniature Bearings Australia Pty Ltd
MBA Size Listings are a guide to sizes only and must not be solely relied on for critical design information.

O-Rings - Fluoroelastomer

Part Number	Inside Diameter (I.D.) mm <i>inches</i>	Section (t) mm <i>inches</i>	Material	Hardness	Notes
# OR-19000-350-VBR75	190.00 <i>7.480</i>	3.50 <i>0.138</i>	Brown Fluoroelastomer	Duro 75	Black may be substituted when brown not available
# OR-19000-400-VBR75	190.00 <i>7.480</i>	4.00 <i>0.157</i>	Brown Fluoroelastomer	Duro 75	Black may be substituted when brown not available
# OR-19000-500-VBR75	190.00 <i>7.480</i>	5.00 <i>0.197</i>	Brown Fluoroelastomer	Duro 75	Black may be substituted when brown not available
# OR-19009-353-VBR90-264	190.09 <i>7.484</i>	3.53 <i>0.139</i>	Brown Fluoroelastomer	Duro 90	Black may be substituted when brown not available
# OR-19009-353-VBR75-264	190.09 <i>7.484</i>	3.53 <i>0.139</i>	Brown Fluoroelastomer	Duro 75	Black may be substituted when brown not available
# OR-19017-262-VBR75-169	190.17 <i>7.487</i>	2.62 <i>0.103</i>	Brown Fluoroelastomer	Duro 75	Black may be substituted when brown not available
# OR-19017-262-VBR90-169	190.17 <i>7.487</i>	2.62 <i>0.103</i>	Brown Fluoroelastomer	Duro 90	Black may be substituted when brown not available
# OR-19200-300-VBR75	192.00 <i>7.559</i>	3.00 <i>0.118</i>	Brown Fluoroelastomer	Duro 75	Black may be substituted when brown not available

Indicates item not stocked at time of printing - Please enquire for lead time

Page 154 of 194

E&OE Pricing and all details subject to change without notice - Copyright Miniature Bearings Australia Pty Ltd
MBA Size Listings are a guide to sizes only and must not be solely relied on for critical design information.

O-Rings - Fluoroelastomer

Part Number	Inside Diameter (I.D.) mm <i>inches</i>	Section (t) mm <i>inches</i>	Material	Hardness	Notes
# OR-19200-400-VBR75	192.00 <i>7.559</i>	4.00 <i>0.157</i>	Brown Fluoroelastomer	Duro 75	Black may be substituted when brown not available
# OR-19400-300-VBR75	194.00 <i>7.638</i>	3.00 <i>0.118</i>	Brown Fluoroelastomer	Duro 75	Black may be substituted when brown not available
# OR-19400-400-VBR75	194.00 <i>7.638</i>	4.00 <i>0.157</i>	Brown Fluoroelastomer	Duro 75	Black may be substituted when brown not available
# OR-19500-300-VBR75	195.00 <i>7.677</i>	3.00 <i>0.118</i>	Brown Fluoroelastomer	Duro 75	Black may be substituted when brown not available
# OR-19500-400-VBR75	195.00 <i>7.677</i>	4.00 <i>0.157</i>	Brown Fluoroelastomer	Duro 75	Black may be substituted when brown not available
# OR-19500-500-VBR75	195.00 <i>7.677</i>	5.00 <i>0.197</i>	Brown Fluoroelastomer	Duro 75	Black may be substituted when brown not available
# OR-19600-400-VBR75	196.00 <i>7.717</i>	4.00 <i>0.157</i>	Brown Fluoroelastomer	Duro 75	Black may be substituted when brown not available
# OR-19622-533-VBR75-368	196.22 <i>7.725</i>	5.33 <i>0.210</i>	Brown Fluoroelastomer	Duro 75	Black may be substituted when brown not available

Indicates item not stocked at time of printing - Please enquire for lead time

Page 155 of 194

E&OE Pricing and all details subject to change without notice - Copyright Miniature Bearings Australia Pty Ltd

MBA Size Listings are a guide to sizes only and must not be solely relied on for critical design information.

O-Rings - Fluoroelastomer

Part Number	Inside Diameter (I.D.) mm <i>inches</i>	Section (t) mm <i>inches</i>	Material	Hardness	Notes
# OR-19622-533-VBR90-368	196.22 <i>7.725</i>	5.33 <i>0.210</i>	Brown Fluoroelastomer	Duro 90	Black may be substituted when brown not available
# OR-19622-699-VBR75-444	196.22 <i>7.725</i>	6.99 <i>0.275</i>	Brown Fluoroelastomer	Duro 75	Black may be substituted when brown not available
# OR-19622-699-VBR90-444	196.22 <i>7.725</i>	6.99 <i>0.275</i>	Brown Fluoroelastomer	Duro 90	Black may be substituted when brown not available
# OR-19644-353-VBR75-265	196.44 <i>7.734</i>	3.53 <i>0.139</i>	Brown Fluoroelastomer	Duro 75	Black may be substituted when brown not available
# OR-19644-353-VBR90-265	196.44 <i>7.734</i>	3.53 <i>0.139</i>	Brown Fluoroelastomer	Duro 90	Black may be substituted when brown not available
# OR-19652-262-VBR75-170	196.52 <i>7.737</i>	2.62 <i>0.103</i>	Brown Fluoroelastomer	Duro 75	Black may be substituted when brown not available
# OR-19652-262-VBR90-170	196.52 <i>7.737</i>	2.62 <i>0.103</i>	Brown Fluoroelastomer	Duro 90	Black may be substituted when brown not available
# OR-19700-300-VBR75	197.00 <i>7.756</i>	3.00 <i>0.118</i>	Brown Fluoroelastomer	Duro 75	Black may be substituted when brown not available

Indicates item not stocked at time of printing - Please enquire for lead time

Page 156 of 194

E&OE Pricing and all details subject to change without notice - Copyright Miniature Bearings Australia Pty Ltd
MBA Size Listings are a guide to sizes only and must not be solely relied on for critical design information.

O-Rings - Fluoroelastomer

Part Number	Inside Diameter (I.D.) mm <i>inches</i>	Section (t) mm <i>inches</i>	Material	Hardness	Notes
# OR-19800-400-VBR75	198.00 <i>7.795</i>	4.00 <i>0.157</i>	Brown Fluoroelastomer	Duro 75	Black may be substituted when brown not available
# OR-20000-300-VBR75	200.00 <i>7.874</i>	3.00 <i>0.118</i>	Brown Fluoroelastomer	Duro 75	Black may be substituted when brown not available
# OR-20000-350-VBR75	200.00 <i>7.874</i>	3.50 <i>0.138</i>	Brown Fluoroelastomer	Duro 75	Black may be substituted when brown not available
# OR-20000-400-VBR75	200.00 <i>7.874</i>	4.00 <i>0.157</i>	Brown Fluoroelastomer	Duro 75	Black may be substituted when brown not available
# OR-20000-500-VBR75	200.00 <i>7.874</i>	5.00 <i>0.197</i>	Brown Fluoroelastomer	Duro 75	Black may be substituted when brown not available
# OR-20257-533-VBR90-369	202.57 <i>7.975</i>	5.33 <i>0.210</i>	Brown Fluoroelastomer	Duro 90	Black may be substituted when brown not available
# OR-20257-533-VBR75-369	202.57 <i>7.975</i>	5.33 <i>0.210</i>	Brown Fluoroelastomer	Duro 75	Black may be substituted when brown not available
# OR-20257-699-VBR90-445	202.57 <i>7.975</i>	6.99 <i>0.275</i>	Brown Fluoroelastomer	Duro 90	Black may be substituted when brown not available

Indicates item not stocked at time of printing - Please enquire for lead time

Page 157 of 194

E&OE Pricing and all details subject to change without notice - Copyright Miniature Bearings Australia Pty Ltd
MBA Size Listings are a guide to sizes only and must not be solely relied on for critical design information.

O-Rings - Fluoroelastomer

Part Number	Inside Diameter (I.D.) mm	Section (t) mm	Material	Hardness	Notes
	<i>inches</i>	<i>inches</i>			
# OR-20257-699-VBR75-445	202.57	6.99	Brown Fluoroelastomer	Duro 75	Black may be substituted when brown not available
	<i>7.975</i>	<i>0.275</i>			
# OR-20279-353-VBR90-266	202.79	3.53	Brown Fluoroelastomer	Duro 90	Black may be substituted when brown not available
	<i>7.984</i>	<i>0.139</i>			
# OR-20279-353-VBR75-266	202.79	3.53	Brown Fluoroelastomer	Duro 75	Black may be substituted when brown not available
	<i>7.984</i>	<i>0.139</i>			
# OR-20287-262-VBR75-171	202.87	2.62	Brown Fluoroelastomer	Duro 75	Black may be substituted when brown not available
	<i>7.987</i>	<i>0.103</i>			
# OR-20287-262-VBR90-171	202.87	2.62	Brown Fluoroelastomer	Duro 90	Black may be substituted when brown not available
	<i>7.987</i>	<i>0.103</i>			
# OR-20300-300-VBR75	203.00	3.00	Brown Fluoroelastomer	Duro 75	Black may be substituted when brown not available
	<i>7.992</i>	<i>0.118</i>			
# OR-20500-300-VBR75	205.00	3.00	Brown Fluoroelastomer	Duro 75	Black may be substituted when brown not available
	<i>8.071</i>	<i>0.118</i>			
# OR-20500-400-VBR75	205.00	4.00	Brown Fluoroelastomer	Duro 75	Black may be substituted when brown not available
	<i>8.071</i>	<i>0.157</i>			

Indicates item not stocked at time of printing - Please enquire for lead time

Page 158 of 194

E&OE Pricing and all details subject to change without notice - Copyright Miniature Bearings Australia Pty Ltd
MBA Size Listings are a guide to sizes only and must not be solely relied on for critical design information.

O-Rings - Fluoroelastomer

Part Number	Inside Diameter (I.D.) mm	Section (t) mm	Material	Hardness	Notes
	<i>inches</i>	<i>inches</i>			
# OR-20500-500-VBR75	205.00 <i>8.071</i>	5.00 <i>0.197</i>	Brown Fluoroelastomer	Duro 75	Black may be substituted when brown not available
# OR-20800-400-VBR75	208.00 <i>8.189</i>	4.00 <i>0.157</i>	Brown Fluoroelastomer	Duro 75	Black may be substituted when brown not available
# OR-20892-533-VBR75-370	208.92 <i>8.225</i>	5.33 <i>0.210</i>	Brown Fluoroelastomer	Duro 75	Black may be substituted when brown not available
# OR-20892-533-VBR90-370	208.92 <i>8.225</i>	5.33 <i>0.210</i>	Brown Fluoroelastomer	Duro 90	Black may be substituted when brown not available
# OR-20914-353-VBR90-267	209.14 <i>8.234</i>	3.53 <i>0.139</i>	Brown Fluoroelastomer	Duro 90	Black may be substituted when brown not available
# OR-20914-353-VBR75-267	209.14 <i>8.234</i>	3.53 <i>0.139</i>	Brown Fluoroelastomer	Duro 75	Black may be substituted when brown not available
# OR-20922-262-VBR90-172	209.22 <i>8.237</i>	2.62 <i>0.103</i>	Brown Fluoroelastomer	Duro 90	Black may be substituted when brown not available
# OR-20922-262-VBR75-172	209.22 <i>8.237</i>	2.62 <i>0.103</i>	Brown Fluoroelastomer	Duro 75	Black may be substituted when brown not available

Indicates item not stocked at time of printing - Please enquire for lead time

E&OE Pricing and all details subject to change without notice - Copyright Miniature Bearings Australia Pty Ltd

MBA Size Listings are a guide to sizes only and must not be solely relied on for critical design information.

O-Rings - Fluoroelastomer

Part Number	Inside Diameter (I.D.) mm <i>inches</i>	Section (t) mm <i>inches</i>	Material	Hardness	Notes
# OR-21000-300-VBR75	210.00 <i>8.268</i>	3.00 <i>0.118</i>	Brown Fluoroelastomer	Duro 75	Black may be substituted when brown not available
# OR-21000-400-VBR75	210.00 <i>8.268</i>	4.00 <i>0.157</i>	Brown Fluoroelastomer	Duro 75	Black may be substituted when brown not available
# OR-21000-500-VBR75	210.00 <i>8.268</i>	5.00 <i>0.197</i>	Brown Fluoroelastomer	Duro 75	Black may be substituted when brown not available
# OR-21200-400-VBR75	212.00 <i>8.346</i>	4.00 <i>0.157</i>	Brown Fluoroelastomer	Duro 75	Black may be substituted when brown not available
# OR-21500-300-VBR75	215.00 <i>8.465</i>	3.00 <i>0.118</i>	Brown Fluoroelastomer	Duro 75	Black may be substituted when brown not available
# OR-21500-400-VBR75	215.00 <i>8.465</i>	4.00 <i>0.157</i>	Brown Fluoroelastomer	Duro 75	Black may be substituted when brown not available
# OR-21500-500-VBR75	215.00 <i>8.465</i>	5.00 <i>0.197</i>	Brown Fluoroelastomer	Duro 75	Black may be substituted when brown not available
# OR-21527-533-VBR75-371	215.27 <i>8.475</i>	5.33 <i>0.210</i>	Brown Fluoroelastomer	Duro 75	Black may be substituted when brown not available

Indicates item not stocked at time of printing - Please enquire for lead time

Page 160 of 194

E&OE Pricing and all details subject to change without notice - Copyright Miniature Bearings Australia Pty Ltd

MBA Size Listings are a guide to sizes only and must not be solely relied on for critical design information.

O-Rings - Fluoroelastomer

Part Number	Inside Diameter (I.D.) mm <i>inches</i>	Section (t) mm <i>inches</i>	Material	Hardness	Notes
# OR-21527-533-VBR90-371	215.27 <i>8.475</i>	5.33 <i>0.210</i>	Brown Fluoroelastomer	Duro 90	Black may be substituted when brown not available
# OR-21527-699-VBR90-446	215.27 <i>8.475</i>	6.99 <i>0.275</i>	Brown Fluoroelastomer	Duro 90	Black may be substituted when brown not available
# OR-21527-699-VBR75-446	215.27 <i>8.475</i>	6.99 <i>0.275</i>	Brown Fluoroelastomer	Duro 75	Black may be substituted when brown not available
# OR-21549-353-VBR90-268	215.49 <i>8.484</i>	3.53 <i>0.139</i>	Brown Fluoroelastomer	Duro 90	Black may be substituted when brown not available
# OR-21549-353-VBR75-268	215.49 <i>8.484</i>	3.53 <i>0.139</i>	Brown Fluoroelastomer	Duro 75	Black may be substituted when brown not available
# OR-21557-262-VBR75-173	215.57 <i>8.487</i>	2.62 <i>0.103</i>	Brown Fluoroelastomer	Duro 75	Black may be substituted when brown not available
# OR-21557-262-VBR90-173	215.57 <i>8.487</i>	2.62 <i>0.103</i>	Brown Fluoroelastomer	Duro 90	Black may be substituted when brown not available
# OR-21600-400-VBR75	216.00 <i>8.504</i>	4.00 <i>0.157</i>	Brown Fluoroelastomer	Duro 75	Black may be substituted when brown not available

Indicates item not stocked at time of printing - Please enquire for lead time

E&OE Pricing and all details subject to change without notice - Copyright Miniature Bearings Australia Pty Ltd

MBA Size Listings are a guide to sizes only and must not be solely relied on for critical design information.

O-Rings - Fluoroelastomer

Part Number	Inside Diameter (I.D.) mm <i>inches</i>	Section (t) mm <i>inches</i>	Material	Hardness	Notes
# OR-21700-500-VBR75	217.00 <i>8.543</i>	5.00 <i>0.197</i>	Brown Fluoroelastomer	Duro 75	Black may be substituted when brown not available
# OR-22000-300-VBR75	220.00 <i>8.661</i>	3.00 <i>0.118</i>	Brown Fluoroelastomer	Duro 75	Black may be substituted when brown not available
# OR-22000-400-VBR75	220.00 <i>8.661</i>	4.00 <i>0.157</i>	Brown Fluoroelastomer	Duro 75	Black may be substituted when brown not available
# OR-22000-500-VBR75	220.00 <i>8.661</i>	5.00 <i>0.197</i>	Brown Fluoroelastomer	Duro 75	Black may be substituted when brown not available
# OR-22162-533-VBR75-372	221.62 <i>8.725</i>	5.33 <i>0.210</i>	Brown Fluoroelastomer	Duro 75	Black may be substituted when brown not available
# OR-22162-533-VBR90-372	221.62 <i>8.725</i>	5.33 <i>0.210</i>	Brown Fluoroelastomer	Duro 90	Black may be substituted when brown not available
# OR-22184-353-VBR75-269	221.84 <i>8.734</i>	3.53 <i>0.139</i>	Brown Fluoroelastomer	Duro 75	Black may be substituted when brown not available
# OR-22184-353-VBR90-269	221.84 <i>8.734</i>	3.53 <i>0.139</i>	Brown Fluoroelastomer	Duro 90	Black may be substituted when brown not available

Indicates item not stocked at time of printing - Please enquire for lead time

Page 162 of 194

E&OE Pricing and all details subject to change without notice - Copyright Miniature Bearings Australia Pty Ltd

MBA Size Listings are a guide to sizes only and must not be solely relied on for critical design information.

O-Rings - Fluoroelastomer

Part Number	Inside Diameter (I.D.) mm <i>inches</i>	Section (t) mm <i>inches</i>	Material	Hardness	Notes
# OR-22192-262-VBR90-174	221.92 <i>8.737</i>	2.62 <i>0.103</i>	Brown Fluoroelastomer	Duro 90	Black may be substituted when brown not available
# OR-22192-262-VBR75-174	221.92 <i>8.737</i>	2.62 <i>0.103</i>	Brown Fluoroelastomer	Duro 75	Black may be substituted when brown not available
# OR-22500-300-VBR75	225.00 <i>8.858</i>	3.00 <i>0.118</i>	Brown Fluoroelastomer	Duro 75	Black may be substituted when brown not available
# OR-22500-400-VBR75	225.00 <i>8.858</i>	4.00 <i>0.157</i>	Brown Fluoroelastomer	Duro 75	Black may be substituted when brown not available
# OR-22500-500-VBR75	225.00 <i>8.858</i>	5.00 <i>0.197</i>	Brown Fluoroelastomer	Duro 75	Black may be substituted when brown not available
# OR-22797-533-VBR75-373	227.97 <i>8.975</i>	5.33 <i>0.210</i>	Brown Fluoroelastomer	Duro 75	Black may be substituted when brown not available
# OR-22797-699-VBR90-447	227.97 <i>8.975</i>	6.99 <i>0.275</i>	Brown Fluoroelastomer	Duro 90	Black may be substituted when brown not available
# OR-22797-699-VBR75-447	227.97 <i>8.975</i>	6.99 <i>0.275</i>	Brown Fluoroelastomer	Duro 75	Black may be substituted when brown not available

Indicates item not stocked at time of printing - Please enquire for lead time

Page 163 of 194

E&OE Pricing and all details subject to change without notice - Copyright Miniature Bearings Australia Pty Ltd
MBA Size Listings are a guide to sizes only and must not be solely relied on for critical design information.

O-Rings - Fluoroelastomer

Part Number	Inside Diameter (I.D.) mm <i>inches</i>	Section (t) mm <i>inches</i>	Material	Hardness	Notes
# OR-22800-300-VBR75	228.00 <i>8.976</i>	3.00 <i>0.118</i>	Brown Fluoroelastomer	Duro 75	Black may be substituted when brown not available
# OR-22800-400-VBR75	228.00 <i>8.976</i>	4.00 <i>0.157</i>	Brown Fluoroelastomer	Duro 75	Black may be substituted when brown not available
# OR-22819-353-VBR90-270	228.19 <i>8.984</i>	3.53 <i>0.139</i>	Brown Fluoroelastomer	Duro 90	Black may be substituted when brown not available
# OR-22819-353-VBR75-270	228.19 <i>8.984</i>	3.53 <i>0.139</i>	Brown Fluoroelastomer	Duro 75	Black may be substituted when brown not available
# OR-22827-262-VBR90-175	228.27 <i>8.987</i>	2.62 <i>0.103</i>	Brown Fluoroelastomer	Duro 90	Black may be substituted when brown not available
# OR-22827-262-VBR75-175	228.27 <i>8.987</i>	2.62 <i>0.103</i>	Brown Fluoroelastomer	Duro 75	Black may be substituted when brown not available
# OR-23000-300-VBR75	230.00 <i>9.055</i>	3.00 <i>0.118</i>	Brown Fluoroelastomer	Duro 75	Black may be substituted when brown not available
# OR-23000-400-VBR75	230.00 <i>9.055</i>	4.00 <i>0.157</i>	Brown Fluoroelastomer	Duro 75	Black may be substituted when brown not available

Indicates item not stocked at time of printing - Please enquire for lead time

Page 164 of 194

E&OE Pricing and all details subject to change without notice - Copyright Miniature Bearings Australia Pty Ltd

MBA Size Listings are a guide to sizes only and must not be solely relied on for critical design information.

O-Rings - Fluoroelastomer

Part Number	Inside Diameter (I.D.) mm <i>inches</i>	Section (t) mm <i>inches</i>	Material	Hardness	Notes
# OR-23000-500-VBR75	230.00 <i>9.055</i>	5.00 <i>0.197</i>	Brown Fluoroelastomer	Duro 75	Black may be substituted when brown not available
# OR-23200-400-VBR75	232.00 <i>9.134</i>	4.00 <i>0.157</i>	Brown Fluoroelastomer	Duro 75	Black may be substituted when brown not available
# OR-23200-500-VBR75	232.00 <i>9.134</i>	5.00 <i>0.197</i>	Brown Fluoroelastomer	Duro 75	Black may be substituted when brown not available
# OR-23300-300-VBR75	233.00 <i>9.173</i>	3.00 <i>0.118</i>	Brown Fluoroelastomer	Duro 75	Black may be substituted when brown not available
# OR-23400-500-VBR75	234.00 <i>9.213</i>	5.00 <i>0.197</i>	Brown Fluoroelastomer	Duro 75	Black may be substituted when brown not available
# OR-23432-533-VBR75-374	234.32 <i>9.225</i>	5.33 <i>0.210</i>	Brown Fluoroelastomer	Duro 75	Black may be substituted when brown not available
# OR-23432-533-VBR90-374	234.32 <i>9.225</i>	5.33 <i>0.210</i>	Brown Fluoroelastomer	Duro 90	Black may be substituted when brown not available
# OR-23454-353-VBR90-271	234.54 <i>9.234</i>	3.53 <i>0.139</i>	Brown Fluoroelastomer	Duro 90	Black may be substituted when brown not available

Indicates item not stocked at time of printing - Please enquire for lead time

Page 165 of 194

E&OE Pricing and all details subject to change without notice - Copyright Miniature Bearings Australia Pty Ltd
MBA Size Listings are a guide to sizes only and must not be solely relied on for critical design information.

O-Rings - Fluoroelastomer

Part Number	Inside Diameter (I.D.) mm <i>inches</i>	Section (t) mm <i>inches</i>	Material	Hardness	Notes
OR-23454-353-VBR75-271	234.54 <i>9.234</i>	3.53 <i>0.139</i>	Brown Fluoroelastomer	Duro 75	Black may be substituted when brown not available
# OR-23462-262-VBR75-176	234.62 <i>9.237</i>	2.62 <i>0.103</i>	Brown Fluoroelastomer	Duro 75	Black may be substituted when brown not available
# OR-23462-262-VBR90-176	234.62 <i>9.237</i>	2.62 <i>0.103</i>	Brown Fluoroelastomer	Duro 90	Black may be substituted when brown not available
# OR-23500-300-VBR75	235.00 <i>9.252</i>	3.00 <i>0.118</i>	Brown Fluoroelastomer	Duro 75	Black may be substituted when brown not available
# OR-23500-400-VBR75	235.00 <i>9.252</i>	4.00 <i>0.157</i>	Brown Fluoroelastomer	Duro 75	Black may be substituted when brown not available
# OR-23500-500-VBR75	235.00 <i>9.252</i>	5.00 <i>0.197</i>	Brown Fluoroelastomer	Duro 75	Black may be substituted when brown not available
# OR-23800-400-VBR75	238.00 <i>9.370</i>	4.00 <i>0.157</i>	Brown Fluoroelastomer	Duro 75	Black may be substituted when brown not available
# OR-24000-300-VBR75	240.00 <i>9.449</i>	3.00 <i>0.118</i>	Brown Fluoroelastomer	Duro 75	Black may be substituted when brown not available

Indicates item not stocked at time of printing - Please enquire for lead time

Page 166 of 194

E&OE Pricing and all details subject to change without notice - Copyright Miniature Bearings Australia Pty Ltd
MBA Size Listings are a guide to sizes only and must not be solely relied on for critical design information.

O-Rings - Fluoroelastomer

Part Number	Inside Diameter (I.D.) mm <i>inches</i>	Section (t) mm <i>inches</i>	Material	Hardness	Notes
# OR-24000-400-VBR75	240.00 <i>9.449</i>	4.00 <i>0.157</i>	Brown Fluoroelastomer	Duro 75	Black may be substituted when brown not available
# OR-24000-500-VBR75	240.00 <i>9.449</i>	5.00 <i>0.197</i>	Brown Fluoroelastomer	Duro 75	Black may be substituted when brown not available
# OR-24067-533-VBR75-375	240.67 <i>9.475</i>	5.33 <i>0.210</i>	Brown Fluoroelastomer	Duro 75	Black may be substituted when brown not available
# OR-24067-533-VBR90-375	240.67 <i>9.475</i>	5.33 <i>0.210</i>	Brown Fluoroelastomer	Duro 90	Black may be substituted when brown not available
# OR-24067-699-VBR90-448	240.67 <i>9.475</i>	6.99 <i>0.275</i>	Brown Fluoroelastomer	Duro 90	Black may be substituted when brown not available
# OR-24067-699-VBR75-448	240.67 <i>9.475</i>	6.99 <i>0.275</i>	Brown Fluoroelastomer	Duro 75	Black may be substituted when brown not available
# OR-24089-353-VBR90-272	240.89 <i>9.484</i>	3.53 <i>0.139</i>	Brown Fluoroelastomer	Duro 90	Black may be substituted when brown not available
OR-24089-353-VBR75-272	240.89 <i>9.484</i>	3.53 <i>0.139</i>	Brown Fluoroelastomer	Duro 75	Black may be substituted when brown not available

Indicates item not stocked at time of printing - Please enquire for lead time

Page 167 of 194

E&OE Pricing and all details subject to change without notice - Copyright Miniature Bearings Australia Pty Ltd

MBA Size Listings are a guide to sizes only and must not be solely relied on for critical design information.

O-Rings - Fluoroelastomer

Part Number	Inside Diameter (I.D.) mm <i>inches</i>	Section (t) mm <i>inches</i>	Material	Hardness	Notes
# OR-24097-262-VBR75-177	240.97 <i>9.487</i>	2.62 <i>0.103</i>	Brown Fluoroelastomer	Duro 75	Black may be substituted when brown not available
# OR-24097-262-VBR90-177	240.97 <i>9.487</i>	2.62 <i>0.103</i>	Brown Fluoroelastomer	Duro 90	Black may be substituted when brown not available
# OR-24500-300-VBR75	245.00 <i>9.646</i>	3.00 <i>0.118</i>	Brown Fluoroelastomer	Duro 75	Black may be substituted when brown not available
# OR-24500-400-VBR75	245.00 <i>9.646</i>	4.00 <i>0.157</i>	Brown Fluoroelastomer	Duro 75	Black may be substituted when brown not available
# OR-24500-500-VBR75	245.00 <i>9.646</i>	5.00 <i>0.197</i>	Brown Fluoroelastomer	Duro 75	Black may be substituted when brown not available
# OR-24702-533-VBR90-376	247.02 <i>9.725</i>	5.33 <i>0.210</i>	Brown Fluoroelastomer	Duro 90	Black may be substituted when brown not available
# OR-24702-533-VBR75-376	247.02 <i>9.725</i>	5.33 <i>0.210</i>	Brown Fluoroelastomer	Duro 75	Black may be substituted when brown not available
# OR-24726-353-VBR90-273	247.26 <i>9.735</i>	3.53 <i>0.139</i>	Brown Fluoroelastomer	Duro 90	Black may be substituted when brown not available

Indicates item not stocked at time of printing - Please enquire for lead time

E&OE Pricing and all details subject to change without notice - Copyright Miniature Bearings Australia Pty Ltd

MBA Size Listings are a guide to sizes only and must not be solely relied on for critical design information.

O-Rings - Fluoroelastomer

Part Number	Inside Diameter (I.D.) mm <i>inches</i>	Section (t) mm <i>inches</i>	Material	Hardness	Notes
# OR-24726-353-VBR75-273	247.26 <i>9.735</i>	3.53 <i>0.139</i>	Brown Fluoroelastomer	Duro 75	Black may be substituted when brown not available
# OR-24732-262-VBR75-178	247.32 <i>9.737</i>	2.62 <i>0.103</i>	Brown Fluoroelastomer	Duro 75	Black may be substituted when brown not available
# OR-24732-262-VBR90-178	247.32 <i>9.737</i>	2.62 <i>0.103</i>	Brown Fluoroelastomer	Duro 90	Black may be substituted when brown not available
# OR-24800-500-VBR75	248.00 <i>9.764</i>	5.00 <i>0.197</i>	Brown Fluoroelastomer	Duro 75	Black may be substituted when brown not available
# OR-25000-300-VBR75	250.00 <i>9.843</i>	3.00 <i>0.118</i>	Brown Fluoroelastomer	Duro 75	Black may be substituted when brown not available
# OR-25000-400-VBR75	250.00 <i>9.843</i>	4.00 <i>0.157</i>	Brown Fluoroelastomer	Duro 75	Black may be substituted when brown not available
# OR-25000-500-VBR75	250.00 <i>9.843</i>	5.00 <i>0.197</i>	Brown Fluoroelastomer	Duro 75	Black may be substituted when brown not available
# OR-25337-533-VBR75-377	253.37 <i>9.975</i>	5.33 <i>0.210</i>	Brown Fluoroelastomer	Duro 75	Black may be substituted when brown not available

Indicates item not stocked at time of printing - Please enquire for lead time

Page 169 of 194

E&OE Pricing and all details subject to change without notice - Copyright Miniature Bearings Australia Pty Ltd

MBA Size Listings are a guide to sizes only and must not be solely relied on for critical design information.

O-Rings - Fluoroelastomer

Part Number	Inside Diameter (I.D.) mm <i>inches</i>	Section (t) mm <i>inches</i>	Material	Hardness	Notes
# OR-25337-533-VBR90-377	253.37 <i>9.975</i>	5.33 <i>0.210</i>	Brown Fluoroelastomer	Duro 90	Black may be substituted when brown not available
# OR-25337-699-VBR75-449	253.37 <i>9.975</i>	6.99 <i>0.275</i>	Brown Fluoroelastomer	Duro 75	Black may be substituted when brown not available
# OR-25337-699-VBR90-449	253.37 <i>9.975</i>	6.99 <i>0.275</i>	Brown Fluoroelastomer	Duro 90	Black may be substituted when brown not available
# OR-25359-353-VBR90-274	253.59 <i>9.984</i>	3.53 <i>0.139</i>	Brown Fluoroelastomer	Duro 90	Black may be substituted when brown not available
# OR-25359-353-VBR75-274	253.59 <i>9.984</i>	3.53 <i>0.139</i>	Brown Fluoroelastomer	Duro 75	Black may be substituted when brown not available
# OR-25500-400-VBR75	255.00 <i>10.039</i>	4.00 <i>0.157</i>	Brown Fluoroelastomer	Duro 75	Black may be substituted when brown not available
# OR-25500-500-VBR75	255.00 <i>10.039</i>	5.00 <i>0.197</i>	Brown Fluoroelastomer	Duro 75	Black may be substituted when brown not available
# OR-25800-400-VBR75	258.00 <i>10.157</i>	4.00 <i>0.157</i>	Brown Fluoroelastomer	Duro 75	Black may be substituted when brown not available

Indicates item not stocked at time of printing - Please enquire for lead time

Page 170 of 194

E&OE Pricing and all details subject to change without notice - Copyright Miniature Bearings Australia Pty Ltd
MBA Size Listings are a guide to sizes only and must not be solely relied on for critical design information.

O-Rings - Fluoroelastomer

Part Number	Inside Diameter (I.D.) mm <i>inches</i>	Section (t) mm <i>inches</i>	Material	Hardness	Notes
# OR-26000-300-VBR75	260.00 <i>10.236</i>	3.00 <i>0.118</i>	Brown Fluoroelastomer	Duro 75	Black may be substituted when brown not available
# OR-26000-400-VBR75	260.00 <i>10.236</i>	4.00 <i>0.157</i>	Brown Fluoroelastomer	Duro 75	Black may be substituted when brown not available
# OR-26000-500-VBR75	260.00 <i>10.236</i>	5.00 <i>0.197</i>	Brown Fluoroelastomer	Duro 75	Black may be substituted when brown not available
# OR-26200-400-VBR75	262.00 <i>10.315</i>	4.00 <i>0.157</i>	Brown Fluoroelastomer	Duro 75	Black may be substituted when brown not available
# OR-26200-500-VBR75	262.00 <i>10.315</i>	5.00 <i>0.197</i>	Brown Fluoroelastomer	Duro 75	Black may be substituted when brown not available
# OR-26400-400-VBR75	264.00 <i>10.394</i>	4.00 <i>0.157</i>	Brown Fluoroelastomer	Duro 75	Black may be substituted when brown not available
# OR-26500-400-VBR75	265.00 <i>10.433</i>	4.00 <i>0.157</i>	Brown Fluoroelastomer	Duro 75	Black may be substituted when brown not available
# OR-26500-500-VBR75	265.00 <i>10.433</i>	5.00 <i>0.197</i>	Brown Fluoroelastomer	Duro 75	Black may be substituted when brown not available

Indicates item not stocked at time of printing - Please enquire for lead time

Page 171 of 194

E&OE Pricing and all details subject to change without notice - Copyright Miniature Bearings Australia Pty Ltd
MBA Size Listings are a guide to sizes only and must not be solely relied on for critical design information.

O-Rings - Fluoroelastomer

Part Number	Inside Diameter (I.D.) mm <i>inches</i>	Section (t) mm <i>inches</i>	Material	Hardness	Notes
# OR-26607-533-VBR90-378	266.07 <i>10.475</i>	5.33 <i>0.210</i>	Brown Fluoroelastomer	Duro 90	Black may be substituted when brown not available
# OR-26607-533-VBR75-378	266.07 <i>10.475</i>	5.33 <i>0.210</i>	Brown Fluoroelastomer	Duro 75	Black may be substituted when brown not available
# OR-26607-699-VBR90-450	266.07 <i>10.475</i>	6.99 <i>0.275</i>	Brown Fluoroelastomer	Duro 90	Black may be substituted when brown not available
# OR-26607-699-VBR75-450	266.07 <i>10.475</i>	6.99 <i>0.275</i>	Brown Fluoroelastomer	Duro 75	Black may be substituted when brown not available
# OR-26629-353-VBR90-275	266.29 <i>10.484</i>	3.53 <i>0.139</i>	Brown Fluoroelastomer	Duro 90	Black may be substituted when brown not available
# OR-26629-353-VBR75-275	266.29 <i>10.484</i>	3.53 <i>0.139</i>	Brown Fluoroelastomer	Duro 75	Black may be substituted when brown not available
# OR-26700-500-VBR75	267.00 <i>10.512</i>	5.00 <i>0.197</i>	Brown Fluoroelastomer	Duro 75	Black may be substituted when brown not available
# OR-27000-300-VBR75	270.00 <i>10.630</i>	3.00 <i>0.118</i>	Brown Fluoroelastomer	Duro 75	Black may be substituted when brown not available

Indicates item not stocked at time of printing - Please enquire for lead time

Page 172 of 194

E&OE Pricing and all details subject to change without notice - Copyright Miniature Bearings Australia Pty Ltd
MBA Size Listings are a guide to sizes only and must not be solely relied on for critical design information.

O-Rings - Fluoroelastomer

Part Number	Inside Diameter (I.D.) mm <i>inches</i>	Section (t) mm <i>inches</i>	Material	Hardness	Notes
# OR-27000-400-VBR75	270.00 <i>10.630</i>	4.00 <i>0.157</i>	Brown Fluoroelastomer	Duro 75	Black may be substituted when brown not available
# OR-27000-500-VBR75	270.00 <i>10.630</i>	5.00 <i>0.197</i>	Brown Fluoroelastomer	Duro 75	Black may be substituted when brown not available
# OR-27200-400-VBR75	272.00 <i>10.709</i>	4.00 <i>0.157</i>	Brown Fluoroelastomer	Duro 75	Black may be substituted when brown not available
# OR-27500-400-VBR75	275.00 <i>10.827</i>	4.00 <i>0.157</i>	Brown Fluoroelastomer	Duro 75	Black may be substituted when brown not available
# OR-27500-500-VBR75	275.00 <i>10.827</i>	5.00 <i>0.197</i>	Brown Fluoroelastomer	Duro 75	Black may be substituted when brown not available
# OR-27877-533-VBR90-379	278.77 <i>10.975</i>	5.33 <i>0.210</i>	Brown Fluoroelastomer	Duro 90	Black may be substituted when brown not available
# OR-27877-533-VBR75-379	278.77 <i>10.975</i>	5.33 <i>0.210</i>	Brown Fluoroelastomer	Duro 75	Black may be substituted when brown not available
# OR-27877-699-VBR75-451	278.77 <i>10.975</i>	6.99 <i>0.275</i>	Brown Fluoroelastomer	Duro 75	Black may be substituted when brown not available

Indicates item not stocked at time of printing - Please enquire for lead time

E&OE Pricing and all details subject to change without notice - Copyright Miniature Bearings Australia Pty Ltd

MBA Size Listings are a guide to sizes only and must not be solely relied on for critical design information.

O-Rings - Fluoroelastomer

Part Number	Inside Diameter (I.D.) mm <i>inches</i>	Section (t) mm <i>inches</i>	Material	Hardness	Notes
# OR-27877-699-VBR90-451	278.77 <i>10.975</i>	6.99 <i>0.275</i>	Brown Fluoroelastomer	Duro 90	Black may be substituted when brown not available
# OR-27899-353-VBR75-276	278.99 <i>10.984</i>	3.53 <i>0.139</i>	Brown Fluoroelastomer	Duro 75	Black may be substituted when brown not available
# OR-27899-353-VBR90-276	278.99 <i>10.984</i>	3.53 <i>0.139</i>	Brown Fluoroelastomer	Duro 90	Black may be substituted when brown not available
# OR-28000-300-VBR75	280.00 <i>11.024</i>	3.00 <i>0.118</i>	Brown Fluoroelastomer	Duro 75	Black may be substituted when brown not available
# OR-28000-400-VBR75	280.00 <i>11.024</i>	4.00 <i>0.157</i>	Brown Fluoroelastomer	Duro 75	Black may be substituted when brown not available
# OR-28000-500-VBR75	280.00 <i>11.024</i>	5.00 <i>0.197</i>	Brown Fluoroelastomer	Duro 75	Black may be substituted when brown not available
# OR-28200-400-VBR75	282.00 <i>11.102</i>	4.00 <i>0.157</i>	Brown Fluoroelastomer	Duro 75	Black may be substituted when brown not available
# OR-28500-300-VBR75	285.00 <i>11.220</i>	3.00 <i>0.118</i>	Brown Fluoroelastomer	Duro 75	Black may be substituted when brown not available

Indicates item not stocked at time of printing - Please enquire for lead time

Page 174 of 194

E&OE Pricing and all details subject to change without notice - Copyright Miniature Bearings Australia Pty Ltd
MBA Size Listings are a guide to sizes only and must not be solely relied on for critical design information.

O-Rings - Fluoroelastomer

Part Number	Inside Diameter (I.D.) mm <i>inches</i>	Section (t) mm <i>inches</i>	Material	Hardness	Notes
# OR-28500-400-VBR75	285.00 <i>11.220</i>	4.00 <i>0.157</i>	Brown Fluoroelastomer	Duro 75	Black may be substituted when brown not available
# OR-28500-500-VBR75	285.00 <i>11.220</i>	5.00 <i>0.197</i>	Brown Fluoroelastomer	Duro 75	Black may be substituted when brown not available
# OR-28800-400-VBR75	288.00 <i>11.339</i>	4.00 <i>0.157</i>	Brown Fluoroelastomer	Duro 75	Black may be substituted when brown not available
# OR-29000-300-VBR75	290.00 <i>11.417</i>	3.00 <i>0.118</i>	Brown Fluoroelastomer	Duro 75	Black may be substituted when brown not available
# OR-29000-400-VBR75	290.00 <i>11.417</i>	4.00 <i>0.157</i>	Brown Fluoroelastomer	Duro 75	Black may be substituted when brown not available
# OR-29000-500-VBR75	290.00 <i>11.417</i>	5.00 <i>0.197</i>	Brown Fluoroelastomer	Duro 75	Black may be substituted when brown not available
# OR-29147-533-VBR75-380	291.47 <i>11.475</i>	5.33 <i>0.210</i>	Brown Fluoroelastomer	Duro 75	Black may be substituted when brown not available
# OR-29147-533-VBR90-380	291.47 <i>11.475</i>	5.33 <i>0.210</i>	Brown Fluoroelastomer	Duro 90	Black may be substituted when brown not available

Indicates item not stocked at time of printing - Please enquire for lead time

Page 175 of 194

E&OE Pricing and all details subject to change without notice - Copyright Miniature Bearings Australia Pty Ltd

MBA Size Listings are a guide to sizes only and must not be solely relied on for critical design information.

O-Rings - Fluoroelastomer

Part Number	Inside Diameter (I.D.) mm	Section (t) mm	Material	Hardness	Notes
	<i>inches</i>	<i>inches</i>			
# OR-29147-699-VBR90-452	291.47 <i>11.475</i>	6.99 <i>0.275</i>	Brown Fluoroelastomer	Duro 90	Black may be substituted when brown not available
# OR-29147-699-VBR75-452	291.47 <i>11.475</i>	6.99 <i>0.275</i>	Brown Fluoroelastomer	Duro 75	Black may be substituted when brown not available
# OR-29169-353-VBR75-277	291.69 <i>11.484</i>	3.53 <i>0.139</i>	Brown Fluoroelastomer	Duro 75	Black may be substituted when brown not available
# OR-29169-353-VBR90-277	291.69 <i>11.484</i>	3.53 <i>0.139</i>	Brown Fluoroelastomer	Duro 90	Black may be substituted when brown not available
# OR-29400-400-VBR75	294.00 <i>11.575</i>	4.00 <i>0.157</i>	Brown Fluoroelastomer	Duro 75	Black may be substituted when brown not available
# OR-29700-400-VBR75	297.00 <i>11.693</i>	4.00 <i>0.157</i>	Brown Fluoroelastomer	Duro 75	Black may be substituted when brown not available
# OR-30000-300-VBR75	300.00 <i>11.811</i>	3.00 <i>0.118</i>	Brown Fluoroelastomer	Duro 75	Black may be substituted when brown not available
# OR-30000-400-VBR75	300.00 <i>11.811</i>	4.00 <i>0.157</i>	Brown Fluoroelastomer	Duro 75	Black may be substituted when brown not available

Indicates item not stocked at time of printing - Please enquire for lead time

Page 176 of 194

E&OE Pricing and all details subject to change without notice - Copyright Miniature Bearings Australia Pty Ltd
MBA Size Listings are a guide to sizes only and must not be solely relied on for critical design information.

O-Rings - Fluoroelastomer

Part Number	Inside Diameter (I.D.) mm <i>inches</i>	Section (t) mm <i>inches</i>	Material	Hardness	Notes
# OR-30000-500-VBR75	300.00 <i>11.811</i>	5.00 <i>0.197</i>	Brown Fluoroelastomer	Duro 75	Black may be substituted when brown not available
# OR-30417-533-VBR90-381	304.17 <i>11.975</i>	5.33 <i>0.210</i>	Brown Fluoroelastomer	Duro 90	Black may be substituted when brown not available
# OR-30417-533-VBR75-381	304.17 <i>11.975</i>	5.33 <i>0.210</i>	Brown Fluoroelastomer	Duro 75	Black may be substituted when brown not available
# OR-30417-699-VBR75-453	304.17 <i>11.975</i>	6.99 <i>0.275</i>	Brown Fluoroelastomer	Duro 75	Black may be substituted when brown not available
# OR-30417-699-VBR90-453	304.17 <i>11.975</i>	6.99 <i>0.275</i>	Brown Fluoroelastomer	Duro 90	Black may be substituted when brown not available
# OR-30439-353-VBR75-278	304.39 <i>11.984</i>	3.53 <i>0.139</i>	Brown Fluoroelastomer	Duro 75	Black may be substituted when brown not available
# OR-30439-353-VBR90-278	304.39 <i>11.984</i>	3.53 <i>0.139</i>	Brown Fluoroelastomer	Duro 90	Black may be substituted when brown not available
# OR-30500-400-VBR75	305.00 <i>12.008</i>	4.00 <i>0.157</i>	Brown Fluoroelastomer	Duro 75	Black may be substituted when brown not available

Indicates item not stocked at time of printing - Please enquire for lead time

E&OE Pricing and all details subject to change without notice - Copyright Miniature Bearings Australia Pty Ltd

MBA Size Listings are a guide to sizes only and must not be solely relied on for critical design information.

O-Rings - Fluoroelastomer

Part Number	Inside Diameter (I.D.) mm <i>inches</i>	Section (t) mm <i>inches</i>	Material	Hardness	Notes
# OR-30500-500-VBR75	305.00 <i>12.008</i>	5.00 <i>0.197</i>	Brown Fluoroelastomer	Duro 75	Black may be substituted when brown not available
# OR-31000-400-VBR75	310.00 <i>12.205</i>	4.00 <i>0.157</i>	Brown Fluoroelastomer	Duro 75	Black may be substituted when brown not available
# OR-31000-500-VBR75	310.00 <i>12.205</i>	5.00 <i>0.197</i>	Brown Fluoroelastomer	Duro 75	Black may be substituted when brown not available
# OR-31200-400-VBR75	312.00 <i>12.283</i>	4.00 <i>0.157</i>	Brown Fluoroelastomer	Duro 75	Black may be substituted when brown not available
# OR-31300-400-VBR75	313.00 <i>12.323</i>	4.00 <i>0.157</i>	Brown Fluoroelastomer	Duro 75	Black may be substituted when brown not available
# OR-31500-400-VBR75	315.00 <i>12.402</i>	4.00 <i>0.157</i>	Brown Fluoroelastomer	Duro 75	Black may be substituted when brown not available
# OR-31500-500-VBR75	315.00 <i>12.402</i>	5.00 <i>0.197</i>	Brown Fluoroelastomer	Duro 75	Black may be substituted when brown not available
# OR-31687-699-VBR90-454	316.87 <i>12.475</i>	6.99 <i>0.275</i>	Brown Fluoroelastomer	Duro 90	Black may be substituted when brown not available

Indicates item not stocked at time of printing - Please enquire for lead time

Page 178 of 194

E&OE Pricing and all details subject to change without notice - Copyright Miniature Bearings Australia Pty Ltd

MBA Size Listings are a guide to sizes only and must not be solely relied on for critical design information.

O-Rings - Fluoroelastomer

Part Number	Inside Diameter (I.D.) mm	Section (t) mm	Material	Hardness	Notes
	<i>inches</i>	<i>inches</i>			
# OR-31687-699-VBR75-454	316.87	6.99	Brown Fluoroelastomer	Duro 75	Black may be substituted when brown not available
	<i>12.475</i>	<i>0.275</i>			
# OR-31700-400-VBR75	317.00	4.00	Brown Fluoroelastomer	Duro 75	Black may be substituted when brown not available
	<i>12.480</i>	<i>0.157</i>			
# OR-32000-500-VBR75	320.00	5.00	Brown Fluoroelastomer	Duro 75	Black may be substituted when brown not available
	<i>12.598</i>	<i>0.197</i>			
# OR-32500-400-VBR75	325.00	4.00	Brown Fluoroelastomer	Duro 75	Black may be substituted when brown not available
	<i>12.795</i>	<i>0.157</i>			
# OR-32500-500-VBR75	325.00	5.00	Brown Fluoroelastomer	Duro 75	Black may be substituted when brown not available
	<i>12.795</i>	<i>0.197</i>			
# OR-32957-533-VBR75-382	329.57	5.33	Brown Fluoroelastomer	Duro 75	Black may be substituted when brown not available
	<i>12.975</i>	<i>0.210</i>			
# OR-32957-533-VBR90-382	329.57	5.33	Brown Fluoroelastomer	Duro 90	Black may be substituted when brown not available
	<i>12.975</i>	<i>0.210</i>			
# OR-32957-699-VBR90-455	329.57	6.99	Brown Fluoroelastomer	Duro 90	Black may be substituted when brown not available
	<i>12.975</i>	<i>0.275</i>			

Indicates item not stocked at time of printing - Please enquire for lead time

Page 179 of 194

E&OE Pricing and all details subject to change without notice - Copyright Miniature Bearings Australia Pty Ltd

MBA Size Listings are a guide to sizes only and must not be solely relied on for critical design information.

O-Rings - Fluoroelastomer

Part Number	Inside Diameter (I.D.) mm <i>inches</i>	Section (t) mm <i>inches</i>	Material	Hardness	Notes
# OR-32957-699-VBR75-455	329.57 <i>12.975</i>	6.99 <i>0.275</i>	Brown Fluoroelastomer	Duro 75	Black may be substituted when brown not available
# OR-32979-353-VBR75-279	329.79 <i>12.984</i>	3.53 <i>0.139</i>	Brown Fluoroelastomer	Duro 75	Black may be substituted when brown not available
# OR-32979-353-VBR90-279	329.79 <i>12.984</i>	3.53 <i>0.139</i>	Brown Fluoroelastomer	Duro 90	Black may be substituted when brown not available
# OR-33000-400-VBR75	330.00 <i>12.992</i>	4.00 <i>0.157</i>	Brown Fluoroelastomer	Duro 75	Black may be substituted when brown not available
# OR-33000-500-VBR75	330.00 <i>12.992</i>	5.00 <i>0.197</i>	Brown Fluoroelastomer	Duro 75	Black may be substituted when brown not available
# OR-33300-400-VBR75	333.00 <i>13.110</i>	4.00 <i>0.157</i>	Brown Fluoroelastomer	Duro 75	Black may be substituted when brown not available
# OR-33500-400-VBR75	335.00 <i>13.189</i>	4.00 <i>0.157</i>	Brown Fluoroelastomer	Duro 75	Black may be substituted when brown not available
# OR-34000-400-VBR75	340.00 <i>13.386</i>	4.00 <i>0.157</i>	Brown Fluoroelastomer	Duro 75	Black may be substituted when brown not available

Indicates item not stocked at time of printing - Please enquire for lead time

Page 180 of 194

E&OE Pricing and all details subject to change without notice - Copyright Miniature Bearings Australia Pty Ltd
MBA Size Listings are a guide to sizes only and must not be solely relied on for critical design information.

O-Rings - Fluoroelastomer

Part Number	Inside Diameter (I.D.) mm <i>inches</i>	Section (t) mm <i>inches</i>	Material	Hardness	Notes
# OR-34000-500-VBR75	340.00 <i>13.386</i>	5.00 <i>0.197</i>	Brown Fluoroelastomer	Duro 75	Black may be substituted when brown not available
# OR-34227-699-VBR90-456	342.27 <i>13.475</i>	6.99 <i>0.275</i>	Brown Fluoroelastomer	Duro 90	Black may be substituted when brown not available
# OR-34227-699-VBR75-456	342.27 <i>13.475</i>	6.99 <i>0.275</i>	Brown Fluoroelastomer	Duro 75	Black may be substituted when brown not available
# OR-34500-500-VBR75	345.00 <i>13.583</i>	5.00 <i>0.197</i>	Brown Fluoroelastomer	Duro 75	Black may be substituted when brown not available
# OR-34600-400-VBR75	346.00 <i>13.622</i>	4.00 <i>0.157</i>	Brown Fluoroelastomer	Duro 75	Black may be substituted when brown not available
# OR-35000-400-VBR75	350.00 <i>13.780</i>	4.00 <i>0.157</i>	Brown Fluoroelastomer	Duro 75	Black may be substituted when brown not available
# OR-35000-500-VBR75	350.00 <i>13.780</i>	5.00 <i>0.197</i>	Brown Fluoroelastomer	Duro 75	Black may be substituted when brown not available
# OR-35497-533-VBR90-383	354.97 <i>13.975</i>	5.33 <i>0.210</i>	Brown Fluoroelastomer	Duro 90	Black may be substituted when brown not available

Indicates item not stocked at time of printing - Please enquire for lead time

Page 181 of 194

E&OE Pricing and all details subject to change without notice - Copyright Miniature Bearings Australia Pty Ltd
MBA Size Listings are a guide to sizes only and must not be solely relied on for critical design information.

O-Rings - Fluoroelastomer

Part Number	Inside Diameter (I.D.) mm <i>inches</i>	Section (t) mm <i>inches</i>	Material	Hardness	Notes
# OR-35497-533-VBR75-383	354.97 <i>13.975</i>	5.33 <i>0.210</i>	Brown Fluoroelastomer	Duro 75	Black may be substituted when brown not available
# OR-35497-699-VBR90-457	354.97 <i>13.975</i>	6.99 <i>0.275</i>	Brown Fluoroelastomer	Duro 90	Black may be substituted when brown not available
# OR-35497-699-VBR75-457	354.97 <i>13.975</i>	6.99 <i>0.275</i>	Brown Fluoroelastomer	Duro 75	Black may be substituted when brown not available
# OR-35500-400-VBR75	355.00 <i>13.976</i>	4.00 <i>0.157</i>	Brown Fluoroelastomer	Duro 75	Black may be substituted when brown not available
# OR-35519-353-VBR90-280	355.19 <i>13.984</i>	3.53 <i>0.139</i>	Brown Fluoroelastomer	Duro 90	Black may be substituted when brown not available
# OR-35519-353-VBR75-280	355.19 <i>13.984</i>	3.53 <i>0.139</i>	Brown Fluoroelastomer	Duro 75	Black may be substituted when brown not available
# OR-36000-400-VBR75	360.00 <i>14.173</i>	4.00 <i>0.157</i>	Brown Fluoroelastomer	Duro 75	Black may be substituted when brown not available
# OR-36000-500-VBR75	360.00 <i>14.173</i>	5.00 <i>0.197</i>	Brown Fluoroelastomer	Duro 75	Black may be substituted when brown not available

Indicates item not stocked at time of printing - Please enquire for lead time

Page 182 of 194

E&OE Pricing and all details subject to change without notice - Copyright Miniature Bearings Australia Pty Ltd
MBA Size Listings are a guide to sizes only and must not be solely relied on for critical design information.

O-Rings - Fluoroelastomer

Part Number	Inside Diameter (I.D.) mm	Section (t) mm	Material	Hardness	Notes
	<i>inches</i>	<i>inches</i>			
# OR-36200-400-VBR75	362.00	4.00	Brown Fluoroelastomer	Duro 75	Black may be substituted when brown not available
	<i>14.252</i>	<i>0.157</i>			
# OR-36500-400-VBR75	365.00	4.00	Brown Fluoroelastomer	Duro 75	Black may be substituted when brown not available
	<i>14.370</i>	<i>0.157</i>			
# OR-36500-500-VBR75	365.00	5.00	Brown Fluoroelastomer	Duro 75	Black may be substituted when brown not available
	<i>14.370</i>	<i>0.197</i>			
# OR-36700-500-VBR75	367.00	5.00	Brown Fluoroelastomer	Duro 75	Black may be substituted when brown not available
	<i>14.449</i>	<i>0.197</i>			
# OR-36767-699-VBR75-458	367.67	6.99	Brown Fluoroelastomer	Duro 75	Black may be substituted when brown not available
	<i>14.475</i>	<i>0.275</i>			
# OR-36767-699-VBR90-458	367.67	6.99	Brown Fluoroelastomer	Duro 90	Black may be substituted when brown not available
	<i>14.475</i>	<i>0.275</i>			
# OR-37000-400-VBR75	370.00	4.00	Brown Fluoroelastomer	Duro 75	Black may be substituted when brown not available
	<i>14.567</i>	<i>0.157</i>			
# OR-37000-500-VBR75	370.00	5.00	Brown Fluoroelastomer	Duro 75	Black may be substituted when brown not available
	<i>14.567</i>	<i>0.197</i>			

Indicates item not stocked at time of printing - Please enquire for lead time

Page 183 of 194

E&OE Pricing and all details subject to change without notice - Copyright Miniature Bearings Australia Pty Ltd

MBA Size Listings are a guide to sizes only and must not be solely relied on for critical design information.

O-Rings - Fluoroelastomer

Part Number	Inside Diameter (I.D.) mm	Section (t) mm	Material	Hardness	Notes
	<i>inches</i>	<i>inches</i>			
# OR-37500-400-VBR75	375.00 <i>14.764</i>	4.00 <i>0.157</i>	Brown Fluoroelastomer	Duro 75	Black may be substituted when brown not available
# OR-38000-400-VBR75	380.00 <i>14.961</i>	4.00 <i>0.157</i>	Brown Fluoroelastomer	Duro 75	Black may be substituted when brown not available
# OR-38000-500-VBR75	380.00 <i>14.961</i>	5.00 <i>0.197</i>	Brown Fluoroelastomer	Duro 75	Black may be substituted when brown not available
# OR-38037-533-VBR75-384	380.37 <i>14.975</i>	5.33 <i>0.210</i>	Brown Fluoroelastomer	Duro 75	Black may be substituted when brown not available
# OR-38037-533-VBR90-384	380.37 <i>14.975</i>	5.33 <i>0.210</i>	Brown Fluoroelastomer	Duro 90	Black may be substituted when brown not available
# OR-38037-699-VBR75-459	380.37 <i>14.975</i>	6.99 <i>0.275</i>	Brown Fluoroelastomer	Duro 75	Black may be substituted when brown not available
# OR-38037-699-VBR90-459	380.37 <i>14.975</i>	6.99 <i>0.275</i>	Brown Fluoroelastomer	Duro 90	Black may be substituted when brown not available
# OR-38059-353-VBR90-281	380.59 <i>14.984</i>	3.53 <i>0.139</i>	Brown Fluoroelastomer	Duro 90	Black may be substituted when brown not available

Indicates item not stocked at time of printing - Please enquire for lead time

Page 184 of 194

E&OE Pricing and all details subject to change without notice - Copyright Miniature Bearings Australia Pty Ltd
MBA Size Listings are a guide to sizes only and must not be solely relied on for critical design information.

O-Rings - Fluoroelastomer

Part Number	Inside Diameter (I.D.) mm	Section (t) mm	Material	Hardness	Notes
	<i>inches</i>	<i>inches</i>			
# OR-38059-353-VBR75-281	380.59 <i>14.984</i>	3.53 <i>0.139</i>	Brown Fluoroelastomer	Duro 75	Black may be substituted when brown not available
# OR-38500-400-VBR75	385.00 <i>15.157</i>	4.00 <i>0.157</i>	Brown Fluoroelastomer	Duro 75	Black may be substituted when brown not available
# OR-39000-400-VBR75	390.00 <i>15.354</i>	4.00 <i>0.157</i>	Brown Fluoroelastomer	Duro 75	Black may be substituted when brown not available
# OR-39000-500-VBR75	390.00 <i>15.354</i>	5.00 <i>0.197</i>	Brown Fluoroelastomer	Duro 75	Black may be substituted when brown not available
# OR-39307-699-VBR75-460	393.07 <i>15.475</i>	6.99 <i>0.275</i>	Brown Fluoroelastomer	Duro 75	Black may be substituted when brown not available
# OR-39307-699-VBR90-460	393.07 <i>15.475</i>	6.99 <i>0.275</i>	Brown Fluoroelastomer	Duro 90	Black may be substituted when brown not available
# OR-39500-500-VBR75	395.00 <i>15.551</i>	5.00 <i>0.197</i>	Brown Fluoroelastomer	Duro 75	Black may be substituted when brown not available
# OR-40000-400-VBR75	400.00 <i>15.748</i>	4.00 <i>0.157</i>	Brown Fluoroelastomer	Duro 75	Black may be substituted when brown not available

Indicates item not stocked at time of printing - Please enquire for lead time

Page 185 of 194

E&OE Pricing and all details subject to change without notice - Copyright Miniature Bearings Australia Pty Ltd
MBA Size Listings are a guide to sizes only and must not be solely relied on for critical design information.

O-Rings - Fluoroelastomer

Part Number	Inside Diameter (I.D.) mm <i>inches</i>	Section (t) mm <i>inches</i>	Material	Hardness	Notes
# OR-40000-500-VBR75	400.00 <i>15.748</i>	5.00 <i>0.197</i>	Brown Fluoroelastomer	Duro 75	Black may be substituted when brown not available
# OR-40526-353-VBR75-282	405.26 <i>15.955</i>	3.53 <i>0.139</i>	Brown Fluoroelastomer	Duro 75	Black may be substituted when brown not available
# OR-40526-353-VBR90-282	405.26 <i>15.955</i>	3.53 <i>0.139</i>	Brown Fluoroelastomer	Duro 90	Black may be substituted when brown not available
# OR-40526-533-VBR75-385	405.26 <i>15.955</i>	5.33 <i>0.210</i>	Brown Fluoroelastomer	Duro 75	Black may be substituted when brown not available
# OR-40526-533-VBR90-385	405.26 <i>15.955</i>	5.33 <i>0.210</i>	Brown Fluoroelastomer	Duro 90	Black may be substituted when brown not available
# OR-40526-699-VBR75-461	405.26 <i>15.955</i>	6.99 <i>0.275</i>	Brown Fluoroelastomer	Duro 75	Black may be substituted when brown not available
# OR-40526-699-VBR90-461	405.26 <i>15.955</i>	6.99 <i>0.275</i>	Brown Fluoroelastomer	Duro 90	Black may be substituted when brown not available
# OR-41000-400-VBR75	410.00 <i>16.142</i>	4.00 <i>0.157</i>	Brown Fluoroelastomer	Duro 75	Black may be substituted when brown not available

Indicates item not stocked at time of printing - Please enquire for lead time

Page 186 of 194

E&OE Pricing and all details subject to change without notice - Copyright Miniature Bearings Australia Pty Ltd

MBA Size Listings are a guide to sizes only and must not be solely relied on for critical design information.

O-Rings - Fluoroelastomer

Part Number	Inside Diameter (I.D.) mm	Section (t) mm	Material	Hardness	Notes
	<i>inches</i>	<i>inches</i>			
# OR-41500-400-VBR75	415.00 <i>16.339</i>	4.00 <i>0.157</i>	Brown Fluoroelastomer	Duro 75	Black may be substituted when brown not available
# OR-41796-699-VBR90-462	417.96 <i>16.455</i>	6.99 <i>0.275</i>	Brown Fluoroelastomer	Duro 90	Black may be substituted when brown not available
# OR-41796-699-VBR75-462	417.96 <i>16.455</i>	6.99 <i>0.275</i>	Brown Fluoroelastomer	Duro 75	Black may be substituted when brown not available
# OR-42000-400-VBR75	420.00 <i>16.535</i>	4.00 <i>0.157</i>	Brown Fluoroelastomer	Duro 75	Black may be substituted when brown not available
# OR-43000-400-VBR75	430.00 <i>16.929</i>	4.00 <i>0.157</i>	Brown Fluoroelastomer	Duro 75	Black may be substituted when brown not available
# OR-43066-353-VBR75-283	430.66 <i>16.955</i>	3.53 <i>0.139</i>	Brown Fluoroelastomer	Duro 75	Black may be substituted when brown not available
# OR-43066-353-VBR90-283	430.66 <i>16.955</i>	3.53 <i>0.139</i>	Brown Fluoroelastomer	Duro 90	Black may be substituted when brown not available
# OR-43066-533-VBR75-386	430.66 <i>16.955</i>	5.33 <i>0.210</i>	Brown Fluoroelastomer	Duro 75	Black may be substituted when brown not available

Indicates item not stocked at time of printing - Please enquire for lead time

Page 187 of 194

E&OE Pricing and all details subject to change without notice - Copyright Miniature Bearings Australia Pty Ltd
MBA Size Listings are a guide to sizes only and must not be solely relied on for critical design information.

O-Rings - Fluoroelastomer

Part Number	Inside Diameter (I.D.) mm <i>inches</i>	Section (t) mm <i>inches</i>	Material	Hardness	Notes
# OR-43066-533-VBR90-386	430.66 <i>16.955</i>	5.33 <i>0.210</i>	Brown Fluoroelastomer	Duro 90	Black may be substituted when brown not available
# OR-43066-699-VBR90-463	430.66 <i>16.955</i>	6.99 <i>0.275</i>	Brown Fluoroelastomer	Duro 90	Black may be substituted when brown not available
# OR-43066-699-VBR75-463	430.66 <i>16.955</i>	6.99 <i>0.275</i>	Brown Fluoroelastomer	Duro 75	Black may be substituted when brown not available
# OR-43500-400-VBR75	435.00 <i>17.126</i>	4.00 <i>0.157</i>	Brown Fluoroelastomer	Duro 75	Black may be substituted when brown not available
# OR-44000-400-VBR75	440.00 <i>17.323</i>	4.00 <i>0.157</i>	Brown Fluoroelastomer	Duro 75	Black may be substituted when brown not available
# OR-44336-699-VBR90-464	443.36 <i>17.455</i>	6.99 <i>0.275</i>	Brown Fluoroelastomer	Duro 90	Black may be substituted when brown not available
# OR-44336-699-VBR75-464	443.36 <i>17.455</i>	6.99 <i>0.275</i>	Brown Fluoroelastomer	Duro 75	Black may be substituted when brown not available
# OR-44500-400-VBR75	445.00 <i>17.520</i>	4.00 <i>0.157</i>	Brown Fluoroelastomer	Duro 75	Black may be substituted when brown not available

Indicates item not stocked at time of printing - Please enquire for lead time

Page 188 of 194

E&OE Pricing and all details subject to change without notice - Copyright Miniature Bearings Australia Pty Ltd
MBA Size Listings are a guide to sizes only and must not be solely relied on for critical design information.

O-Rings - Fluoroelastomer

Part Number	Inside Diameter (I.D.) mm	Section (t) mm	Material	Hardness	Notes
	<i>inches</i>	<i>inches</i>			
# OR-45000-400-VBR75	450.00	4.00	Brown Fluoroelastomer	Duro 75	Black may be substituted when brown not available
	<i>17.717</i>	<i>0.157</i>			
# OR-45606-353-VBR90-284	456.06	3.53	Brown Fluoroelastomer	Duro 90	Black may be substituted when brown not available
	<i>17.955</i>	<i>0.139</i>			
# OR-45606-353-VBR75-284	456.06	3.53	Brown Fluoroelastomer	Duro 75	Black may be substituted when brown not available
	<i>17.955</i>	<i>0.139</i>			
# OR-45606-533-VBR75-387	456.06	5.33	Brown Fluoroelastomer	Duro 75	Black may be substituted when brown not available
	<i>17.955</i>	<i>0.210</i>			
# OR-45606-533-VBR90-387	456.06	5.33	Brown Fluoroelastomer	Duro 90	Black may be substituted when brown not available
	<i>17.955</i>	<i>0.210</i>			
# OR-45606-699-VBR90-465	456.06	6.99	Brown Fluoroelastomer	Duro 90	Black may be substituted when brown not available
	<i>17.955</i>	<i>0.275</i>			
# OR-45606-699-VBR75-465	456.06	6.99	Brown Fluoroelastomer	Duro 75	Black may be substituted when brown not available
	<i>17.955</i>	<i>0.275</i>			
# OR-46876-699-VBR75-466	468.76	6.99	Brown Fluoroelastomer	Duro 75	Black may be substituted when brown not available
	<i>18.455</i>	<i>0.275</i>			

Indicates item not stocked at time of printing - Please enquire for lead time

Page 189 of 194

E&OE Pricing and all details subject to change without notice - Copyright Miniature Bearings Australia Pty Ltd
MBA Size Listings are a guide to sizes only and must not be solely relied on for critical design information.

O-Rings - Fluoroelastomer

Part Number	Inside Diameter (I.D.) mm	Section (t) mm	Material	Hardness	Notes
	<i>inches</i>	<i>inches</i>			
# OR-46876-699-VBR90-466	468.76	6.99	Brown Fluoroelastomer	Duro 90	Black may be substituted when brown not available
	<i>18.455</i>	<i>0.275</i>			
# OR-48141-533-VBR75-388	481.41	5.33	Brown Fluoroelastomer	Duro 75	Black may be substituted when brown not available
	<i>18.953</i>	<i>0.210</i>			
# OR-48141-533-VBR90-388	481.41	5.33	Brown Fluoroelastomer	Duro 90	Black may be substituted when brown not available
	<i>18.953</i>	<i>0.210</i>			
# OR-48146-699-VBR75-467	481.46	6.99	Brown Fluoroelastomer	Duro 75	Black may be substituted when brown not available
	<i>18.955</i>	<i>0.275</i>			
# OR-48146-699-VBR90-467	481.46	6.99	Brown Fluoroelastomer	Duro 90	Black may be substituted when brown not available
	<i>18.955</i>	<i>0.275</i>			
# OR-49416-699-VBR90-468	494.16	6.99	Brown Fluoroelastomer	Duro 90	Black may be substituted when brown not available
	<i>19.455</i>	<i>0.275</i>			
# OR-49416-699-VBR75-468	494.16	6.99	Brown Fluoroelastomer	Duro 75	Black may be substituted when brown not available
	<i>19.455</i>	<i>0.275</i>			
# OR-50681-533-VBR75-389	506.81	5.33	Brown Fluoroelastomer	Duro 75	Black may be substituted when brown not available
	<i>19.953</i>	<i>0.210</i>			

Indicates item not stocked at time of printing - Please enquire for lead time

Page 190 of 194

E&OE Pricing and all details subject to change without notice - Copyright Miniature Bearings Australia Pty Ltd
MBA Size Listings are a guide to sizes only and must not be solely relied on for critical design information.

O-Rings - Fluoroelastomer

Part Number	Inside Diameter (I.D.) mm <i>inches</i>	Section (t) mm <i>inches</i>	Material	Hardness	Notes
# OR-50681-533-VBR90-389	506.81 <i>19.953</i>	5.33 <i>0.210</i>	Brown Fluoroelastomer	Duro 90	Black may be substituted when brown not available
# OR-50686-699-VBR90-469	506.86 <i>19.955</i>	6.99 <i>0.275</i>	Brown Fluoroelastomer	Duro 90	Black may be substituted when brown not available
# OR-50686-699-VBR75-469	506.86 <i>19.955</i>	6.99 <i>0.275</i>	Brown Fluoroelastomer	Duro 75	Black may be substituted when brown not available
# OR-53221-533-VBR90-390	532.21 <i>20.953</i>	5.33 <i>0.210</i>	Brown Fluoroelastomer	Duro 90	Black may be substituted when brown not available
# OR-53221-533-VBR75-390	532.21 <i>20.953</i>	5.33 <i>0.210</i>	Brown Fluoroelastomer	Duro 75	Black may be substituted when brown not available
# OR-53226-699-VBR75-470	532.26 <i>20.955</i>	6.99 <i>0.275</i>	Brown Fluoroelastomer	Duro 75	Black may be substituted when brown not available
# OR-53226-699-VBR90-470	532.26 <i>20.955</i>	6.99 <i>0.275</i>	Brown Fluoroelastomer	Duro 90	Black may be substituted when brown not available
# OR-55761-533-VBR90-391	557.61 <i>21.953</i>	5.33 <i>0.210</i>	Brown Fluoroelastomer	Duro 90	Black may be substituted when brown not available

Indicates item not stocked at time of printing - Please enquire for lead time

E&OE Pricing and all details subject to change without notice - Copyright Miniature Bearings Australia Pty Ltd

MBA Size Listings are a guide to sizes only and must not be solely relied on for critical design information.

O-Rings - Fluoroelastomer

Part Number	Inside Diameter (I.D.) mm	Section (t) mm	Material	Hardness	Notes
	<i>inches</i>	<i>inches</i>			
# OR-55761-533-VBR75-391	557.61	5.33	Brown Fluoroelastomer	Duro 75	Black may be substituted when brown not available
	<i>21.953</i>	<i>0.210</i>			
# OR-55766-699-VBR75-471	557.66	6.99	Brown Fluoroelastomer	Duro 75	Black may be substituted when brown not available
	<i>21.955</i>	<i>0.275</i>			
# OR-55766-699-VBR90-471	557.66	6.99	Brown Fluoroelastomer	Duro 90	Black may be substituted when brown not available
	<i>21.955</i>	<i>0.275</i>			
# OR-58268-533-VBR75-392	582.68	5.33	Brown Fluoroelastomer	Duro 75	Black may be substituted when brown not available
	<i>22.940</i>	<i>0.210</i>			
# OR-58268-533-VBR90-392	582.68	5.33	Brown Fluoroelastomer	Duro 90	Black may be substituted when brown not available
	<i>22.940</i>	<i>0.210</i>			
# OR-58268-699-VBR90-472	582.68	6.99	Brown Fluoroelastomer	Duro 90	Black may be substituted when brown not available
	<i>22.940</i>	<i>0.275</i>			
# OR-58268-699-VBR75-472	582.68	6.99	Brown Fluoroelastomer	Duro 75	Black may be substituted when brown not available
	<i>22.940</i>	<i>0.275</i>			
# OR-60808-533-VBR90-393	608.08	5.33	Brown Fluoroelastomer	Duro 90	Black may be substituted when brown not available
	<i>23.940</i>	<i>0.210</i>			

Indicates item not stocked at time of printing - Please enquire for lead time

Page 192 of 194

E&OE Pricing and all details subject to change without notice - Copyright Miniature Bearings Australia Pty Ltd
MBA Size Listings are a guide to sizes only and must not be solely relied on for critical design information.

O-Rings - Fluoroelastomer

Part Number	Inside Diameter (I.D.) mm <i>inches</i>	Section (t) mm <i>inches</i>	Material	Hardness	Notes
# OR-60808-533-VBR75-393	608.08 <i>23.940</i>	5.33 <i>0.210</i>	Brown Fluoroelastomer	Duro 75	Black may be substituted when brown not available
# OR-60808-699-VBR75-473	608.08 <i>23.940</i>	6.99 <i>0.275</i>	Brown Fluoroelastomer	Duro 75	Black may be substituted when brown not available
# OR-60808-699-VBR90-473	608.08 <i>23.940</i>	6.99 <i>0.275</i>	Brown Fluoroelastomer	Duro 90	Black may be substituted when brown not available
# OR-63348-533-VBR90-394	633.48 <i>24.940</i>	5.33 <i>0.210</i>	Brown Fluoroelastomer	Duro 90	Black may be substituted when brown not available
# OR-63348-533-VBR75-394	633.48 <i>24.940</i>	5.33 <i>0.210</i>	Brown Fluoroelastomer	Duro 75	Black may be substituted when brown not available
# OR-63348-699-VBR90-474	633.48 <i>24.940</i>	6.99 <i>0.275</i>	Brown Fluoroelastomer	Duro 90	Black may be substituted when brown not available
# OR-65888-533-VBR90-395	658.88 <i>25.940</i>	5.33 <i>0.210</i>	Brown Fluoroelastomer	Duro 90	Black may be substituted when brown not available
# OR-65888-533-VBR75-395	658.88 <i>25.940</i>	5.33 <i>0.210</i>	Brown Fluoroelastomer	Duro 75	Black may be substituted when brown not available

Indicates item not stocked at time of printing - Please enquire for lead time

E&OE Pricing and all details subject to change without notice - Copyright Miniature Bearings Australia Pty Ltd

MBA Size Listings are a guide to sizes only and must not be solely relied on for critical design information.

O-Rings - Fluoroelastomer

Part Number	Inside Diameter (I.D.) mm	Section (t) mm	Material	Hardness	Notes
	<i>inches</i>	<i>inches</i>			
# OR-65888-699-VBR90-475	658.88	6.99	Brown Fluoroelastomer	Duro 90	Black may be substituted when brown not available
	<i>25.940</i>	<i>0.275</i>			
# OR-65888-699-VBR75-475	658.88	6.99	Brown Fluoroelastomer	Duro 75	Black may be substituted when brown not available
	<i>25.940</i>	<i>0.275</i>			

Indicates item not stocked at time of printing - Please enquire for lead time

E&OE Pricing and all details subject to change without notice - Copyright Miniature Bearings Australia Pty Ltd

MBA Size Listings are a guide to sizes only and must not be solely relied on for critical design information.

DISTRIBUTED BY

Distributed By:

