



O-Rings - Neoprene Rubber

10/4/2018

Indicates item not stocked at time of printing - Please enquire for lead time

E&OE Pricing and all details subject to change without notice - Copyright Miniature Bearings Australia Pty Ltd

MBA Size Listings are a guide to sizes only and must not be solely relied on for critical design information.

INFORMATION

Excellent resistance to ageing and weathering effects.

Temperature Range: -20^oC to +100^oC.

Resistant to ozone and refrigeration chemicals such as freon 12 and 22.

Moderate resistance to swelling in mineral oils, greases and water.

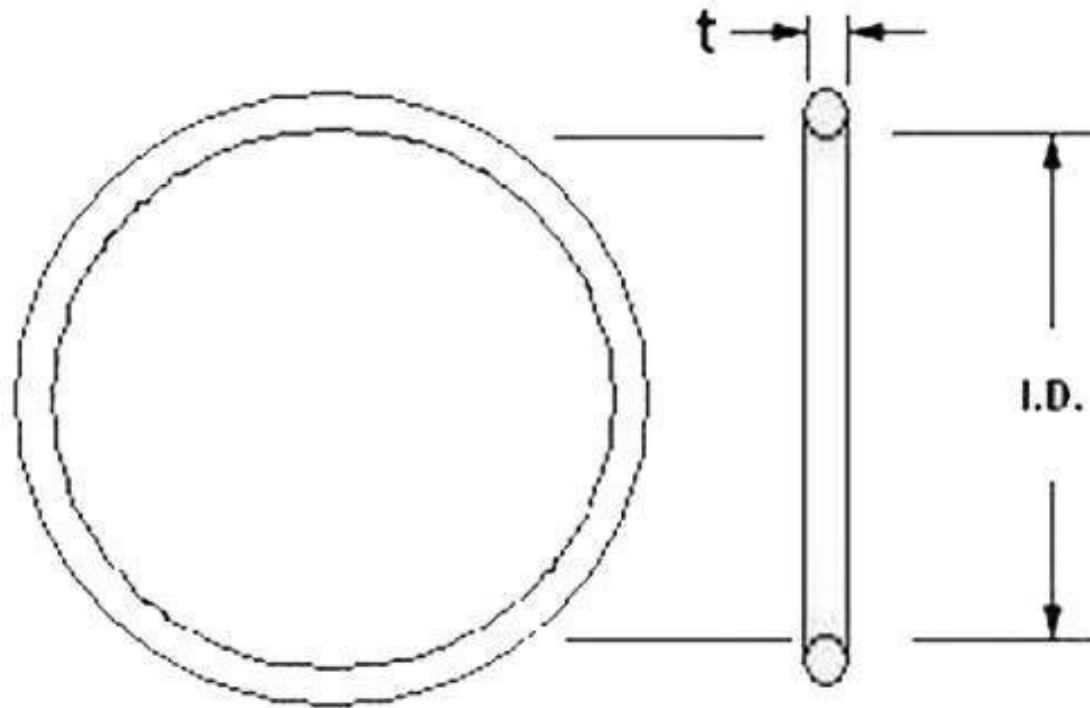
Not resistant to aromatic compounds such as benzene, toluene, chlorinated hydrocarbons, esters, ethers or ketones.

This catalogue to be read in conjunction with information at <http://www.minibearings.com.au//categories/u+groove+pulleys/all/pics/>

Indicates item not stocked at time of printing - Please enquire for lead time

E&OE Pricing and all details subject to change without notice - Copyright Miniature Bearings Australia Pty Ltd

MBA Size Listings are a guide to sizes only and must not be solely relied on for critical design information.



Indicates item not stocked at time of printing - Please enquire for lead time

E&OE Pricing and all details subject to change without notice - Copyright Miniature Bearings Australia Pty Ltd

MBA Size Listings are a guide to sizes only and must not be solely relied on for critical design information.

O-Rings - Neoprene Rubber

Part Number	Inside Diameter (I.D.) mm <i>inches</i>	Section (t) mm <i>inches</i>	Material	Hardness
# OR-00074-102-CR70-001	0.74 <i>0.029</i>	1.02 <i>0.040</i>	Neoprene	Duro 70
OR-00107-127-CR70-002	1.07 <i>0.042</i>	1.27 <i>0.050</i>	Neoprene	Duro 70
# OR-00124-262-CR70-102	1.24 <i>0.049</i>	2.62 <i>0.103</i>	Neoprene	Duro 70
# OR-00142-152-CR70-003	1.42 <i>0.056</i>	1.52 <i>0.060</i>	Neoprene	Duro 70
OR-00178-178-CR70-004	1.78 <i>0.070</i>	1.78 <i>0.070</i>	Neoprene	Duro 70
# OR-00205-262-CR70-103	2.05 <i>0.081</i>	2.62 <i>0.103</i>	Neoprene	Duro 70
# OR-00257-178-CR70-005	2.57 <i>0.101</i>	1.78 <i>0.070</i>	Neoprene	Duro 70
# OR-00284-262-CR70-104	2.84 <i>0.112</i>	2.62 <i>0.103</i>	Neoprene	Duro 70
OR-00290-178-CR70-006	2.90 <i>0.114</i>	1.78 <i>0.070</i>	Neoprene	Duro 70
# OR-00363-262-CR70-105	3.63 <i>0.143</i>	2.62 <i>0.103</i>	Neoprene	Duro 70

Indicates item not stocked at time of printing - Please enquire for lead time

E&OE Pricing and all details subject to change without notice - Copyright Miniature Bearings Australia Pty Ltd

MBA Size Listings are a guide to sizes only and must not be solely relied on for critical design information.

O-Rings - Neoprene Rubber

Part Number	Inside Diameter (I.D.) mm	Section (t) mm	Material	Hardness
	<i>inches</i>	<i>inches</i>		
OR-00369-178-CR70-007	3.69 <i>0.145</i>	1.78 <i>0.070</i>	Neoprene	Duro 70
# OR-00434-353-CR70-201	4.34 <i>0.171</i>	3.53 <i>0.139</i>	Neoprene	Duro 70
# OR-00442-262-CR70-106	4.42 <i>0.174</i>	2.62 <i>0.103</i>	Neoprene	Duro 70
OR-00447-178-CR70-008	4.47 <i>0.176</i>	1.78 <i>0.070</i>	Neoprene	Duro 70
# OR-00523-262-CR70-107	5.23 <i>0.206</i>	2.62 <i>0.103</i>	Neoprene	Duro 70
OR-00528-178-CR70-009	5.28 <i>0.208</i>	1.78 <i>0.070</i>	Neoprene	Duro 70
# OR-00594-353-CR70-202	5.94 <i>0.234</i>	3.53 <i>0.139</i>	Neoprene	Duro 70
# OR-00602-262-CR70-108	6.02 <i>0.237</i>	2.62 <i>0.103</i>	Neoprene	Duro 70
OR-00607-178-CR70-010	6.07 <i>0.239</i>	1.78 <i>0.070</i>	Neoprene	Duro 70
OR-00752-353-CR70-203	7.52 <i>0.296</i>	3.53 <i>0.139</i>	Neoprene	Duro 70

Indicates item not stocked at time of printing - Please enquire for lead time

E&OE Pricing and all details subject to change without notice - Copyright Miniature Bearings Australia Pty Ltd

MBA Size Listings are a guide to sizes only and must not be solely relied on for critical design information.

O-Rings - Neoprene Rubber

Part Number	Inside Diameter (I.D.) mm	Section (t) mm	Material	Hardness
	<i>inches</i>	<i>inches</i>		
# OR-00759-262-CR70-109	7.59 <i>0.299</i>	2.62 <i>0.103</i>	Neoprene	Duro 70
OR-00765-178-CR70-011	7.65 <i>0.301</i>	1.78 <i>0.070</i>	Neoprene	Duro 70
# OR-00912-353-CR70-204	9.12 <i>0.359</i>	3.53 <i>0.139</i>	Neoprene	Duro 70
# OR-00919-262-CR70-110	9.19 <i>0.362</i>	2.62 <i>0.103</i>	Neoprene	Duro 70
OR-00925-178-CR70-012	9.25 <i>0.364</i>	1.78 <i>0.070</i>	Neoprene	Duro 70
# OR-00970-130-CR70	9.70 <i>0.382</i>	1.30 <i>0.051</i>	Neoprene	Duro 70
OR-01000-200-CR70	10.00 <i>0.394</i>	2.00 <i>0.079</i>	Neoprene	Duro 70
# OR-01046-533-CR70-309	10.46 <i>0.412</i>	5.33 <i>0.210</i>	Neoprene	Duro 70
# OR-01069-353-CR70-205	10.69 <i>0.421</i>	3.53 <i>0.139</i>	Neoprene	Duro 70
OR-01077-262-CR70-111	10.77 <i>0.424</i>	2.62 <i>0.103</i>	Neoprene	Duro 70

Indicates item not stocked at time of printing - Please enquire for lead time

E&OE Pricing and all details subject to change without notice - Copyright Miniature Bearings Australia Pty Ltd

MBA Size Listings are a guide to sizes only and must not be solely relied on for critical design information.

O-Rings - Neoprene Rubber

Part Number	Inside Diameter (I.D.) mm <i>inches</i>	Section (t) mm <i>inches</i>	Material	Hardness
# OR-01082-178-CR70-013	10.82 <i>0.426</i>	1.78 <i>0.070</i>	Neoprene	Duro 70
OR-01100-200-CR70	11.00 <i>0.433</i>	2.00 <i>0.079</i>	Neoprene	Duro 70
# OR-01189-196-CR70	11.89 <i>0.468</i>	1.96 <i>0.077</i>	Neoprene	Duro 70
OR-01207-533-CR70-310	12.07 <i>0.475</i>	5.33 <i>0.210</i>	Neoprene	Duro 70
# OR-01229-353-CR70-206	12.29 <i>0.484</i>	3.53 <i>0.139</i>	Neoprene	Duro 70
# OR-01237-262-CR70-112	12.37 <i>0.487</i>	2.62 <i>0.103</i>	Neoprene	Duro 70
# OR-01242-178-CR70-014	12.42 <i>0.489</i>	1.78 <i>0.070</i>	Neoprene	Duro 70
OR-01283-178-CR70	12.83 <i>0.505</i>	1.78 <i>0.070</i>	Neoprene	Duro 70
# OR-01300-170-CR70	13.00 <i>0.512</i>	1.70 <i>0.067</i>	Neoprene	Duro 70
# OR-01300-200-CR70	13.00 <i>0.512</i>	2.00 <i>0.079</i>	Neoprene	Duro 70

Indicates item not stocked at time of printing - Please enquire for lead time

E&OE Pricing and all details subject to change without notice - Copyright Miniature Bearings Australia Pty Ltd
MBA Size Listings are a guide to sizes only and must not be solely relied on for critical design information.

O-Rings - Neoprene Rubber

Part Number	Inside Diameter (I.D.) mm <i>inches</i>	Section (t) mm <i>inches</i>	Material	Hardness
# OR-01364-533-CR70-311	13.64 <i>0.537</i>	5.33 <i>0.210</i>	Neoprene	Duro 70
# OR-01387-353-CR70-207	13.87 <i>0.546</i>	3.53 <i>0.139</i>	Neoprene	Duro 70
# OR-01395-262-CR70-113	13.95 <i>0.549</i>	2.62 <i>0.103</i>	Neoprene	Duro 70
# OR-01400-178-CR70-015	14.00 <i>0.551</i>	1.78 <i>0.070</i>	Neoprene	Duro 70
# OR-01400-300-CR70	14.00 <i>0.551</i>	3.00 <i>0.118</i>	Neoprene	Duro 70
OR-01410-160-CR70	14.10 <i>0.555</i>	1.60 <i>0.063</i>	Neoprene	Duro 70
# OR-01524-533-CR70-312	15.24 <i>0.600</i>	5.33 <i>0.210</i>	Neoprene	Duro 70
# OR-01547-353-CR70-208	15.47 <i>0.609</i>	3.53 <i>0.139</i>	Neoprene	Duro 70
# OR-01550-200-CR70	15.50 <i>0.610</i>	2.00 <i>0.079</i>	Neoprene	Duro 70
OR-01554-262-CR70-114	15.54 <i>0.612</i>	2.62 <i>0.103</i>	Neoprene	Duro 70

Indicates item not stocked at time of printing - Please enquire for lead time

E&OE Pricing and all details subject to change without notice - Copyright Miniature Bearings Australia Pty Ltd

MBA Size Listings are a guide to sizes only and must not be solely relied on for critical design information.

O-Rings - Neoprene Rubber

Part Number	Inside Diameter (I.D.) mm <i>inches</i>	Section (t) mm <i>inches</i>	Material	Hardness
# OR-01560-178-CR70-016	15.60 <i>0.614</i>	1.78 <i>0.070</i>	Neoprene	Duro 70
# OR-01600-150-CR70	16.00 <i>0.630</i>	1.50 <i>0.059</i>	Neoprene	Duro 70
OR-01600-200-CR70	16.00 <i>0.630</i>	2.00 <i>0.079</i>	Neoprene	Duro 70
# OR-01681-533-CR70-313	16.81 <i>0.662</i>	5.33 <i>0.210</i>	Neoprene	Duro 70
# OR-01700-200-CR70	17.00 <i>0.669</i>	2.00 <i>0.079</i>	Neoprene	Duro 70
# OR-01700-300-CR70	17.00 <i>0.669</i>	3.00 <i>0.118</i>	Neoprene	Duro 70
# OR-01704-353-CR70-209	17.04 <i>0.671</i>	3.53 <i>0.139</i>	Neoprene	Duro 70
# OR-01712-262-CR70-115	17.12 <i>0.674</i>	2.62 <i>0.103</i>	Neoprene	Duro 70
# OR-01717-178-CR70-017	17.17 <i>0.676</i>	1.78 <i>0.070</i>	Neoprene	Duro 70
# OR-01750-250-CR70	17.50 <i>0.689</i>	2.50 <i>0.098</i>	Neoprene	Duro 70

Indicates item not stocked at time of printing - Please enquire for lead time

E&OE Pricing and all details subject to change without notice - Copyright Miniature Bearings Australia Pty Ltd

MBA Size Listings are a guide to sizes only and must not be solely relied on for critical design information.

O-Rings - Neoprene Rubber

Part Number	Inside Diameter (I.D.) mm	Section (t) mm	Material	Hardness
	<i>inches</i>	<i>inches</i>		
# OR-01800-150-CR70	18.00 <i>0.709</i>	1.50 <i>0.059</i>	Neoprene	Duro 70
# OR-01842-533-CR70-314	18.42 <i>0.725</i>	5.33 <i>0.210</i>	Neoprene	Duro 70
# OR-01864-353-CR70-210	18.64 <i>0.734</i>	3.53 <i>0.139</i>	Neoprene	Duro 70
# OR-01872-262-CR70-116	18.72 <i>0.737</i>	2.62 <i>0.103</i>	Neoprene	Duro 70
# OR-01877-178-CR70-018	18.77 <i>0.739</i>	1.78 <i>0.070</i>	Neoprene	Duro 70
OR-01999-533-CR70-315	19.99 <i>0.787</i>	5.33 <i>0.210</i>	Neoprene	Duro 70
# OR-02022-353-CR70-211	20.22 <i>0.796</i>	3.53 <i>0.139</i>	Neoprene	Duro 70
# OR-02030-262-CR70-117	20.30 <i>0.799</i>	2.62 <i>0.103</i>	Neoprene	Duro 70
# OR-02035-178-CR70-019	20.35 <i>0.801</i>	1.78 <i>0.070</i>	Neoprene	Duro 70
# OR-02100-200-CR70	21.00 <i>0.827</i>	2.00 <i>0.079</i>	Neoprene	Duro 70

Indicates item not stocked at time of printing - Please enquire for lead time

E&OE Pricing and all details subject to change without notice - Copyright Miniature Bearings Australia Pty Ltd
MBA Size Listings are a guide to sizes only and must not be solely relied on for critical design information.

O-Rings - Neoprene Rubber

Part Number	Inside Diameter (I.D.) mm <i>inches</i>	Section (t) mm <i>inches</i>	Material	Hardness
# OR-02110-160-CR70	21.10 <i>0.831</i>	1.60 <i>0.063</i>	Neoprene	Duro 70
# OR-02150-250-CR70	21.50 <i>0.846</i>	2.50 <i>0.098</i>	Neoprene	Duro 70
OR-02159-533-CR70-316	21.59 <i>0.850</i>	5.33 <i>0.210</i>	Neoprene	Duro 70
OR-02182-353-CR70-212	21.82 <i>0.859</i>	3.53 <i>0.139</i>	Neoprene	Duro 70
# OR-02189-262-CR70-118	21.89 <i>0.862</i>	2.62 <i>0.103</i>	Neoprene	Duro 70
# OR-02195-178-CR70-020	21.95 <i>0.864</i>	1.78 <i>0.070</i>	Neoprene	Duro 70
OR-02316-533-CR70-317	23.16 <i>0.912</i>	5.33 <i>0.210</i>	Neoprene	Duro 70
OR-02339-353-CR70-213	23.39 <i>0.921</i>	3.53 <i>0.139</i>	Neoprene	Duro 70
# OR-02347-262-CR70-119	23.47 <i>0.924</i>	2.62 <i>0.103</i>	Neoprene	Duro 70
# OR-02352-178-CR70-021	23.52 <i>0.926</i>	1.78 <i>0.070</i>	Neoprene	Duro 70

Indicates item not stocked at time of printing - Please enquire for lead time

E&OE Pricing and all details subject to change without notice - Copyright Miniature Bearings Australia Pty Ltd
MBA Size Listings are a guide to sizes only and must not be solely relied on for critical design information.

O-Rings - Neoprene Rubber

Part Number	Inside Diameter (I.D.) mm <i>inches</i>	Section (t) mm <i>inches</i>	Material	Hardness
OR-02400-200-CR70	24.00 <i>0.945</i>	2.00 <i>0.079</i>	Neoprene	Duro 70
# OR-02400-300-CR70	24.00 <i>0.945</i>	3.00 <i>0.118</i>	Neoprene	Duro 70
OR-02477-533-CR70-318	24.77 <i>0.975</i>	5.33 <i>0.210</i>	Neoprene	Duro 70
# OR-02499-353-CR70-214	24.99 <i>0.984</i>	3.53 <i>0.139</i>	Neoprene	Duro 70
OR-02500-150-CR70	25.00 <i>0.984</i>	1.50 <i>0.059</i>	Neoprene	Duro 70
OR-02507-262-CR70-120	25.07 <i>0.987</i>	2.62 <i>0.103</i>	Neoprene	Duro 70
# OR-02512-178-CR70-022	25.12 <i>0.989</i>	1.78 <i>0.070</i>	Neoprene	Duro 70
# OR-02634-533-CR70-319	26.34 <i>1.037</i>	5.33 <i>0.210</i>	Neoprene	Duro 70
# OR-02657-353-CR70-215	26.57 <i>1.046</i>	3.53 <i>0.139</i>	Neoprene	Duro 70
# OR-02664-262-CR70-121	26.64 <i>1.049</i>	2.62 <i>0.103</i>	Neoprene	Duro 70

Indicates item not stocked at time of printing - Please enquire for lead time

E&OE Pricing and all details subject to change without notice - Copyright Miniature Bearings Australia Pty Ltd

MBA Size Listings are a guide to sizes only and must not be solely relied on for critical design information.

O-Rings - Neoprene Rubber

Part Number	Inside Diameter (I.D.) mm	Section (t) mm	Material	Hardness
	<i>inches</i>	<i>inches</i>		
# OR-02670-178-CR70-023	26.70 <i>1.051</i>	1.78 <i>0.070</i>	Neoprene	Duro 70
# OR-02700-300-CR70	27.00 <i>1.063</i>	3.00 <i>0.118</i>	Neoprene	Duro 70
# OR-02750-250-CR70	27.50 <i>1.083</i>	2.50 <i>0.098</i>	Neoprene	Duro 70
# OR-02794-533-CR70-320	27.94 <i>1.100</i>	5.33 <i>0.210</i>	Neoprene	Duro 70
OR-02817-353-CR70-216	28.17 <i>1.109</i>	3.53 <i>0.139</i>	Neoprene	Duro 70
# OR-02824-262-CR70-122	28.24 <i>1.112</i>	2.62 <i>0.103</i>	Neoprene	Duro 70
# OR-02830-178-CR70-024	28.30 <i>1.114</i>	1.78 <i>0.070</i>	Neoprene	Duro 70
# OR-02951-533-CR70-321	29.51 <i>1.162</i>	5.33 <i>0.210</i>	Neoprene	Duro 70
# OR-02975-353-CR70-217	29.75 <i>1.171</i>	3.53 <i>0.139</i>	Neoprene	Duro 70
# OR-02982-262-CR70-123	29.82 <i>1.174</i>	2.62 <i>0.103</i>	Neoprene	Duro 70

Indicates item not stocked at time of printing - Please enquire for lead time

E&OE Pricing and all details subject to change without notice - Copyright Miniature Bearings Australia Pty Ltd

MBA Size Listings are a guide to sizes only and must not be solely relied on for critical design information.

O-Rings - Neoprene Rubber

Part Number	Inside Diameter (I.D.) mm <i>inches</i>	Section (t) mm <i>inches</i>	Material	Hardness
# OR-02987-178-CR70-025	29.87 <i>1.176</i>	1.78 <i>0.070</i>	Neoprene	Duro 70
# OR-03050-250-CR70	30.50 <i>1.201</i>	2.50 <i>0.098</i>	Neoprene	Duro 70
# OR-03112-533-CR70-322	31.12 <i>1.225</i>	5.33 <i>0.210</i>	Neoprene	Duro 70
# OR-03134-353-CR70-218	31.34 <i>1.234</i>	3.53 <i>0.139</i>	Neoprene	Duro 70
# OR-03142-262-CR70-124	31.42 <i>1.237</i>	2.62 <i>0.103</i>	Neoprene	Duro 70
OR-03147-178-CR70-026	31.47 <i>1.239</i>	1.78 <i>0.070</i>	Neoprene	Duro 70
OR-03200-300-CR70	32.00 <i>1.260</i>	3.00 <i>0.118</i>	Neoprene	Duro 70
# OR-03269-533-CR70-323	32.69 <i>1.287</i>	5.33 <i>0.210</i>	Neoprene	Duro 70
# OR-03292-353-CR70-219	32.92 <i>1.296</i>	3.53 <i>0.139</i>	Neoprene	Duro 70
# OR-03299-262-CR70-125	32.99 <i>1.299</i>	2.62 <i>0.103</i>	Neoprene	Duro 70

Indicates item not stocked at time of printing - Please enquire for lead time

E&OE Pricing and all details subject to change without notice - Copyright Miniature Bearings Australia Pty Ltd

MBA Size Listings are a guide to sizes only and must not be solely relied on for critical design information.

O-Rings - Neoprene Rubber

Part Number	Inside Diameter (I.D.) mm <i>inches</i>	Section (t) mm <i>inches</i>	Material	Hardness
# OR-03305-178-CR70-027	33.05 <i>1.301</i>	1.78 <i>0.070</i>	Neoprene	Duro 70
# OR-03429-533-CR70-324	34.29 <i>1.350</i>	5.33 <i>0.210</i>	Neoprene	Duro 70
# OR-03452-353-CR70-220	34.52 <i>1.359</i>	3.53 <i>0.139</i>	Neoprene	Duro 70
# OR-03457-262-CR70-126	34.57 <i>1.361</i>	2.62 <i>0.103</i>	Neoprene	Duro 70
OR-03465-178-CR70-028	34.65 <i>1.364</i>	1.78 <i>0.070</i>	Neoprene	Duro 70
# OR-03550-250-CR70	35.50 <i>1.398</i>	2.50 <i>0.098</i>	Neoprene	Duro 70
OR-03609-353-CR70-221	36.09 <i>1.421</i>	3.53 <i>0.139</i>	Neoprene	Duro 70
# OR-03617-262-CR70-127	36.17 <i>1.424</i>	2.62 <i>0.103</i>	Neoprene	Duro 70
# OR-03747-533-CR70-325	37.47 <i>1.475</i>	5.33 <i>0.210</i>	Neoprene	Duro 70
# OR-03769-353-CR70-222	37.69 <i>1.484</i>	3.53 <i>0.139</i>	Neoprene	Duro 70

Indicates item not stocked at time of printing - Please enquire for lead time

E&OE Pricing and all details subject to change without notice - Copyright Miniature Bearings Australia Pty Ltd

MBA Size Listings are a guide to sizes only and must not be solely relied on for critical design information.

O-Rings - Neoprene Rubber

Part Number	Inside Diameter (I.D.) mm	Section (t) mm	Material	Hardness
	<i>inches</i>	<i>inches</i>		
# OR-03777-262-CR70-128	37.77 <i>1.487</i>	2.62 <i>0.103</i>	Neoprene	Duro 70
# OR-03782-178-CR70-029	37.82 <i>1.489</i>	1.78 <i>0.070</i>	Neoprene	Duro 70
OR-03800-300-CR70	38.00 <i>1.496</i>	3.00 <i>0.118</i>	Neoprene	Duro 70
# OR-03810-159-CR70	38.10 <i>1.500</i>	1.59 <i>0.063</i>	Neoprene	Duro 70
# OR-03934-262-CR70-129	39.34 <i>1.549</i>	2.62 <i>0.103</i>	Neoprene	Duro 70
# OR-04065-533-CR70-326	40.65 <i>1.600</i>	5.33 <i>0.210</i>	Neoprene	Duro 70
# OR-04087-353-CR70-223	40.87 <i>1.609</i>	3.53 <i>0.139</i>	Neoprene	Duro 70
# OR-04094-262-CR70-130	40.94 <i>1.612</i>	2.62 <i>0.103</i>	Neoprene	Duro 70
OR-04100-178-CR70-030	41.00 <i>1.614</i>	1.78 <i>0.070</i>	Neoprene	Duro 70
# OR-04100-400-CR70	41.00 <i>1.614</i>	4.00 <i>0.157</i>	Neoprene	Duro 70

Indicates item not stocked at time of printing - Please enquire for lead time

E&OE Pricing and all details subject to change without notice - Copyright Miniature Bearings Australia Pty Ltd

MBA Size Listings are a guide to sizes only and must not be solely relied on for critical design information.

O-Rings - Neoprene Rubber

Part Number	Inside Diameter (I.D.) mm <i>inches</i>	Section (t) mm <i>inches</i>	Material	Hardness
# OR-04252-262-CR70	42.52 <i>1.674</i>	2.62 <i>0.103</i>	Neoprene	Duro 70
OR-04382-533-CR70-327	43.82 <i>1.725</i>	5.33 <i>0.210</i>	Neoprene	Duro 70
# OR-04404-353-CR70-224	44.04 <i>1.734</i>	3.53 <i>0.139</i>	Neoprene	Duro 70
# OR-04412-262-CR70-132	44.12 <i>1.737</i>	2.62 <i>0.103</i>	Neoprene	Duro 70
OR-04417-178-CR70-031	44.17 <i>1.739</i>	1.78 <i>0.070</i>	Neoprene	Duro 70
# OR-04445-159-CR70	44.45 <i>1.750</i>	1.59 <i>0.063</i>	Neoprene	Duro 70
# OR-04569-262-CR70-133	45.69 <i>1.799</i>	2.62 <i>0.103</i>	Neoprene	Duro 70
# OR-04600-350-CR70	46.00 <i>1.811</i>	3.50 <i>0.138</i>	Neoprene	Duro 70
# OR-04699-533-CR70-328	46.99 <i>1.850</i>	5.33 <i>0.210</i>	Neoprene	Duro 70
# OR-04722-353-CR70-225	47.22 <i>1.859</i>	3.53 <i>0.139</i>	Neoprene	Duro 70

Indicates item not stocked at time of printing - Please enquire for lead time

E&OE Pricing and all details subject to change without notice - Copyright Miniature Bearings Australia Pty Ltd

MBA Size Listings are a guide to sizes only and must not be solely relied on for critical design information.

O-Rings - Neoprene Rubber

Part Number	Inside Diameter (I.D.) mm	Section (t) mm	Material	Hardness
	<i>inches</i>	<i>inches</i>		
# OR-04729-262-CR70-134	47.29 <i>1.862</i>	2.62 <i>0.103</i>	Neoprene	Duro 70
# OR-04735-178-CR70-032	47.35 <i>1.864</i>	1.78 <i>0.070</i>	Neoprene	Duro 70
# OR-04890-262-CR70-135	48.90 <i>1.925</i>	2.62 <i>0.103</i>	Neoprene	Duro 70
# OR-05017-533-CR70-329	50.17 <i>1.975</i>	5.33 <i>0.210</i>	Neoprene	Duro 70
# OR-05039-353-CR70-226	50.39 <i>1.984</i>	3.53 <i>0.139</i>	Neoprene	Duro 70
# OR-05047-262-CR70-136	50.47 <i>1.987</i>	2.62 <i>0.103</i>	Neoprene	Duro 70
# OR-05052-178-CR70-033	50.52 <i>1.989</i>	1.78 <i>0.070</i>	Neoprene	Duro 70
OR-05080-159-CR70	50.80 <i>2.000</i>	1.59 <i>0.063</i>	Neoprene	Duro 70
OR-05100-400-CR70	51.00 <i>2.008</i>	4.00 <i>0.157</i>	Neoprene	Duro 70
# OR-05207-262-CR70-137	52.07 <i>2.050</i>	2.62 <i>0.103</i>	Neoprene	Duro 70

Indicates item not stocked at time of printing - Please enquire for lead time

E&OE Pricing and all details subject to change without notice - Copyright Miniature Bearings Australia Pty Ltd

MBA Size Listings are a guide to sizes only and must not be solely relied on for critical design information.

O-Rings - Neoprene Rubber

Part Number	Inside Diameter (I.D.) mm <i>inches</i>	Section (t) mm <i>inches</i>	Material	Hardness
# OR-05334-533-CR70-330	53.34 <i>2.100</i>	5.33 <i>0.210</i>	Neoprene	Duro 70
# OR-05357-353-CR70-227	53.57 <i>2.109</i>	3.53 <i>0.139</i>	Neoprene	Duro 70
# OR-05364-262-CR70-138	53.64 <i>2.112</i>	2.62 <i>0.103</i>	Neoprene	Duro 70
# OR-05370-178-CR70-034	53.70 <i>2.114</i>	1.78 <i>0.070</i>	Neoprene	Duro 70
OR-05398-159-CR70	53.98 <i>2.125</i>	1.59 <i>0.063</i>	Neoprene	Duro 70
OR-05525-262-CR70-139	55.25 <i>2.175</i>	2.62 <i>0.103</i>	Neoprene	Duro 70
# OR-05600-350-CR70	56.00 <i>2.205</i>	3.50 <i>0.138</i>	Neoprene	Duro 70
# OR-05652-533-CR70-331	56.52 <i>2.225</i>	5.33 <i>0.210</i>	Neoprene	Duro 70
OR-05674-353-CR70-228	56.74 <i>2.234</i>	3.53 <i>0.139</i>	Neoprene	Duro 70
# OR-05682-262-CR70-140	56.82 <i>2.237</i>	2.62 <i>0.103</i>	Neoprene	Duro 70

Indicates item not stocked at time of printing - Please enquire for lead time

E&OE Pricing and all details subject to change without notice - Copyright Miniature Bearings Australia Pty Ltd
MBA Size Listings are a guide to sizes only and must not be solely relied on for critical design information.

O-Rings - Neoprene Rubber

Part Number	Inside Diameter (I.D.) mm <i>inches</i>	Section (t) mm <i>inches</i>	Material	Hardness
# OR-05687-178-CR70-035	56.87 <i>2.239</i>	1.78 <i>0.070</i>	Neoprene	Duro 70
# OR-05700-400-CR70	57.00 <i>2.244</i>	4.00 <i>0.157</i>	Neoprene	Duro 70
# OR-05715-476-CR70	57.15 <i>2.250</i>	4.76 <i>0.187</i>	Neoprene	Duro 70
# OR-05842-262-CR70-141	58.42 <i>2.300</i>	2.62 <i>0.103</i>	Neoprene	Duro 70
# OR-05969-533-CR70-332	59.69 <i>2.350</i>	5.33 <i>0.210</i>	Neoprene	Duro 70
# OR-05992-353-CR70-229	59.92 <i>2.359</i>	3.53 <i>0.139</i>	Neoprene	Duro 70
# OR-05999-262-CR70-142	59.99 <i>2.362</i>	2.62 <i>0.103</i>	Neoprene	Duro 70
# OR-06000-500-CR70	60.00 <i>2.362</i>	5.00 <i>0.197</i>	Neoprene	Duro 70
# OR-06005-178-CR70-036	60.05 <i>2.364</i>	1.78 <i>0.070</i>	Neoprene	Duro 70
OR-06033-159-CR70	60.33 <i>2.375</i>	1.59 <i>0.063</i>	Neoprene	Duro 70

Indicates item not stocked at time of printing - Please enquire for lead time

E&OE Pricing and all details subject to change without notice - Copyright Miniature Bearings Australia Pty Ltd

MBA Size Listings are a guide to sizes only and must not be solely relied on for critical design information.

O-Rings - Neoprene Rubber

Part Number	Inside Diameter (I.D.) mm <i>inches</i>	Section (t) mm <i>inches</i>	Material	Hardness
# OR-06033-476-CR70	60.33 <i>2.375</i>	4.76 <i>0.187</i>	Neoprene	Duro 70
# OR-06160-262-CR70-143	61.60 <i>2.425</i>	2.62 <i>0.103</i>	Neoprene	Duro 70
# OR-06190-476-CR70	61.90 <i>2.437</i>	4.76 <i>0.187</i>	Neoprene	Duro 70
# OR-06287-533-CR70-333	62.87 <i>2.475</i>	5.33 <i>0.210</i>	Neoprene	Duro 70
# OR-06309-353-CR70-230	63.09 <i>2.484</i>	3.53 <i>0.139</i>	Neoprene	Duro 70
# OR-06317-262-CR70-144	63.17 <i>2.487</i>	2.62 <i>0.103</i>	Neoprene	Duro 70
# OR-06322-178-CR70-037	63.22 <i>2.489</i>	1.78 <i>0.070</i>	Neoprene	Duro 70
# OR-06350-159-CR70	63.50 <i>2.500</i>	1.59 <i>0.063</i>	Neoprene	Duro 70
OR-06350-238-CR70	63.50 <i>2.500</i>	2.38 <i>0.094</i>	Neoprene	Duro 70
# OR-06350-476-CR70	63.50 <i>2.500</i>	4.76 <i>0.187</i>	Neoprene	Duro 70

Indicates item not stocked at time of printing - Please enquire for lead time

E&OE Pricing and all details subject to change without notice - Copyright Miniature Bearings Australia Pty Ltd

MBA Size Listings are a guide to sizes only and must not be solely relied on for critical design information.

O-Rings - Neoprene Rubber

Part Number	Inside Diameter (I.D.) mm <i>inches</i>	Section (t) mm <i>inches</i>	Material	Hardness
# OR-06477-262-CR70-145	64.77 <i>2.550</i>	2.62 <i>0.103</i>	Neoprene	Duro 70
OR-06604-533-CR70-334	66.04 <i>2.600</i>	5.33 <i>0.210</i>	Neoprene	Duro 70
# OR-06627-353-CR70-231	66.27 <i>2.609</i>	3.53 <i>0.139</i>	Neoprene	Duro 70
# OR-06634-262-CR70-146	66.34 <i>2.612</i>	2.62 <i>0.103</i>	Neoprene	Duro 70
# OR-06640-178-CR70-038	66.40 <i>2.614</i>	1.78 <i>0.070</i>	Neoprene	Duro 70
# OR-06668-159-CR70	66.68 <i>2.625</i>	1.59 <i>0.063</i>	Neoprene	Duro 70
# OR-06795-262-CR70-147	67.95 <i>2.675</i>	2.62 <i>0.103</i>	Neoprene	Duro 70
# OR-06900-350-CR70	69.00 <i>2.717</i>	3.50 <i>0.138</i>	Neoprene	Duro 70
# OR-06922-533-CR70-335	69.22 <i>2.725</i>	5.33 <i>0.210</i>	Neoprene	Duro 70
# OR-06944-353-CR70-232	69.44 <i>2.734</i>	3.53 <i>0.139</i>	Neoprene	Duro 70

Indicates item not stocked at time of printing - Please enquire for lead time

E&OE Pricing and all details subject to change without notice - Copyright Miniature Bearings Australia Pty Ltd

MBA Size Listings are a guide to sizes only and must not be solely relied on for critical design information.

O-Rings - Neoprene Rubber

Part Number	Inside Diameter (I.D.) mm <i>inches</i>	Section (t) mm <i>inches</i>	Material	Hardness
# OR-06952-262-CR70-148	69.52 <i>2.737</i>	2.62 <i>0.103</i>	Neoprene	Duro 70
# OR-06957-178-CR70-039	69.57 <i>2.739</i>	1.78 <i>0.070</i>	Neoprene	Duro 70
# OR-06985-159-CR70	69.85 <i>2.750</i>	1.59 <i>0.063</i>	Neoprene	Duro 70
# OR-06985-238-CR70	69.85 <i>2.750</i>	2.38 <i>0.094</i>	Neoprene	Duro 70
# OR-07112-262-CR70-149	71.12 <i>2.800</i>	2.62 <i>0.103</i>	Neoprene	Duro 70
# OR-07239-533-CR70-336	72.39 <i>2.850</i>	5.33 <i>0.210</i>	Neoprene	Duro 70
# OR-07262-353-CR70-233	72.62 <i>2.859</i>	3.53 <i>0.139</i>	Neoprene	Duro 70
# OR-07269-262-CR70-150	72.69 <i>2.862</i>	2.62 <i>0.103</i>	Neoprene	Duro 70
# OR-07275-178-CR70-040	72.75 <i>2.864</i>	1.78 <i>0.070</i>	Neoprene	Duro 70
# OR-07303-159-CR70	73.03 <i>2.875</i>	1.59 <i>0.063</i>	Neoprene	Duro 70

Indicates item not stocked at time of printing - Please enquire for lead time

E&OE Pricing and all details subject to change without notice - Copyright Miniature Bearings Australia Pty Ltd

MBA Size Listings are a guide to sizes only and must not be solely relied on for critical design information.

O-Rings - Neoprene Rubber

Part Number	Inside Diameter (I.D.) mm <i>inches</i>	Section (t) mm <i>inches</i>	Material	Hardness
# OR-07303-476-CR70	73.03 <i>2.875</i>	4.76 <i>0.187</i>	Neoprene	Duro 70
# OR-07557-533-CR70-337	75.57 <i>2.975</i>	5.33 <i>0.210</i>	Neoprene	Duro 70
# OR-07579-353-CR70-234	75.79 <i>2.984</i>	3.53 <i>0.139</i>	Neoprene	Duro 70
# OR-07587-262-CR70-151	75.87 <i>2.987</i>	2.62 <i>0.103</i>	Neoprene	Duro 70
# OR-07592-178-CR70-041	75.92 <i>2.989</i>	1.78 <i>0.070</i>	Neoprene	Duro 70
# OR-07620-159-CR70	76.20 <i>3.000</i>	1.59 <i>0.063</i>	Neoprene	Duro 70
OR-07620-238-CR70	76.20 <i>3.000</i>	2.38 <i>0.094</i>	Neoprene	Duro 70
# OR-07620-476-CR70	76.20 <i>3.000</i>	4.76 <i>0.187</i>	Neoprene	Duro 70
# OR-07874-533-CR70-338	78.74 <i>3.100</i>	5.33 <i>0.210</i>	Neoprene	Duro 70
# OR-07897-353-CR70-235	78.97 <i>3.109</i>	3.53 <i>0.139</i>	Neoprene	Duro 70

Indicates item not stocked at time of printing - Please enquire for lead time

E&OE Pricing and all details subject to change without notice - Copyright Miniature Bearings Australia Pty Ltd

MBA Size Listings are a guide to sizes only and must not be solely relied on for critical design information.

O-Rings - Neoprene Rubber

Part Number	Inside Diameter (I.D.) mm <i>inches</i>	Section (t) mm <i>inches</i>	Material	Hardness
# OR-07900-500-CR70	79.00 <i>3.110</i>	5.00 <i>0.197</i>	Neoprene	Duro 70
# OR-08100-500-CR70	81.00 <i>3.189</i>	5.00 <i>0.197</i>	Neoprene	Duro 70
# OR-08192-533-CR70-339	81.92 <i>3.225</i>	5.33 <i>0.210</i>	Neoprene	Duro 70
# OR-08214-353-CR70-236	82.14 <i>3.234</i>	3.53 <i>0.139</i>	Neoprene	Duro 70
# OR-08222-262-CR70-152	82.22 <i>3.237</i>	2.62 <i>0.103</i>	Neoprene	Duro 70
# OR-08227-178-CR70-042	82.27 <i>3.239</i>	1.78 <i>0.070</i>	Neoprene	Duro 70
# OR-08255-159-CR70	82.55 <i>3.250</i>	1.59 <i>0.063</i>	Neoprene	Duro 70
OR-08255-238-CR70	82.55 <i>3.250</i>	2.38 <i>0.094</i>	Neoprene	Duro 70
OR-08255-318-CR70	82.55 <i>3.250</i>	3.18 <i>0.125</i>	Neoprene	Duro 70
# OR-08255-476-CR70	82.55 <i>3.250</i>	4.76 <i>0.187</i>	Neoprene	Duro 70

Indicates item not stocked at time of printing - Please enquire for lead time

E&OE Pricing and all details subject to change without notice - Copyright Miniature Bearings Australia Pty Ltd

MBA Size Listings are a guide to sizes only and must not be solely relied on for critical design information.

O-Rings - Neoprene Rubber

Part Number	Inside Diameter (I.D.) mm <i>inches</i>	Section (t) mm <i>inches</i>	Material	Hardness
# OR-08509-533-CR70-340	85.09 <i>3.350</i>	5.33 <i>0.210</i>	Neoprene	Duro 70
# OR-08532-353-CR70-237	85.32 <i>3.359</i>	3.53 <i>0.139</i>	Neoprene	Duro 70
# OR-08573-476-CR70	85.73 <i>3.375</i>	4.76 <i>0.187</i>	Neoprene	Duro 70
# OR-08827-533-CR70-341	88.27 <i>3.475</i>	5.33 <i>0.210</i>	Neoprene	Duro 70
# OR-08849-353-CR70-238	88.49 <i>3.484</i>	3.53 <i>0.139</i>	Neoprene	Duro 70
# OR-08857-262-CR70-153	88.57 <i>3.487</i>	2.62 <i>0.103</i>	Neoprene	Duro 70
# OR-08862-178-CR70-043	88.62 <i>3.489</i>	1.78 <i>0.070</i>	Neoprene	Duro 70
# OR-08890-159-CR70	88.90 <i>3.500</i>	1.59 <i>0.063</i>	Neoprene	Duro 70
OR-08890-238-CR70	88.90 <i>3.500</i>	2.38 <i>0.094</i>	Neoprene	Duro 70
OR-08890-318-CR70	88.90 <i>3.500</i>	3.18 <i>0.125</i>	Neoprene	Duro 70

Indicates item not stocked at time of printing - Please enquire for lead time

E&OE Pricing and all details subject to change without notice - Copyright Miniature Bearings Australia Pty Ltd

MBA Size Listings are a guide to sizes only and must not be solely relied on for critical design information.

O-Rings - Neoprene Rubber

Part Number	Inside Diameter (I.D.) mm <i>inches</i>	Section (t) mm <i>inches</i>	Material	Hardness
# OR-09144-533-CR70-342	91.44 <i>3.600</i>	5.33 <i>0.210</i>	Neoprene	Duro 70
# OR-09167-353-CR70-239	91.67 <i>3.609</i>	3.53 <i>0.139</i>	Neoprene	Duro 70
# OR-09208-476-CR70	92.08 <i>3.625</i>	4.76 <i>0.187</i>	Neoprene	Duro 70
# OR-09462-533-CR70-343	94.62 <i>3.725</i>	5.33 <i>0.210</i>	Neoprene	Duro 70
# OR-09484-353-CR70-240	94.84 <i>3.734</i>	3.53 <i>0.139</i>	Neoprene	Duro 70
# OR-09492-262-CR70-154	94.92 <i>3.737</i>	2.62 <i>0.103</i>	Neoprene	Duro 70
# OR-09497-178-CR70-044	94.97 <i>3.739</i>	1.78 <i>0.070</i>	Neoprene	Duro 70
# OR-09525-159-CR70	95.25 <i>3.750</i>	1.59 <i>0.063</i>	Neoprene	Duro 70
OR-09525-238-CR70	95.25 <i>3.750</i>	2.38 <i>0.094</i>	Neoprene	Duro 70
# OR-09779-533-CR70-344	97.79 <i>3.850</i>	5.33 <i>0.210</i>	Neoprene	Duro 70

Indicates item not stocked at time of printing - Please enquire for lead time

E&OE Pricing and all details subject to change without notice - Copyright Miniature Bearings Australia Pty Ltd

MBA Size Listings are a guide to sizes only and must not be solely relied on for critical design information.

O-Rings - Neoprene Rubber

Part Number	Inside Diameter (I.D.) mm	Section (t) mm	Material	Hardness
	<i>inches</i>	<i>inches</i>		
# OR-09802-353-CR70-241	98.02 <i>3.859</i>	3.53 <i>0.139</i>	Neoprene	Duro 70
# OR-09843-476-CR70	98.43 <i>3.875</i>	4.76 <i>0.187</i>	Neoprene	Duro 70
# OR-10097-533-CR70-345	100.97 <i>3.975</i>	5.33 <i>0.210</i>	Neoprene	Duro 70
# OR-10119-353-CR70-242	101.19 <i>3.984</i>	3.53 <i>0.139</i>	Neoprene	Duro 70
# OR-10127-262-CR70-155	101.27 <i>3.987</i>	2.62 <i>0.103</i>	Neoprene	Duro 70
# OR-10132-178-CR70-045	101.32 <i>3.989</i>	1.78 <i>0.070</i>	Neoprene	Duro 70
# OR-10160-159-CR70	101.60 <i>4.000</i>	1.59 <i>0.063</i>	Neoprene	Duro 70
# OR-10160-238-CR70	101.60 <i>4.000</i>	2.38 <i>0.094</i>	Neoprene	Duro 70
# OR-10414-533-CR70-346	104.14 <i>4.100</i>	5.33 <i>0.210</i>	Neoprene	Duro 70
# OR-10437-353-CR70-243	104.37 <i>4.109</i>	3.53 <i>0.139</i>	Neoprene	Duro 70

Indicates item not stocked at time of printing - Please enquire for lead time

E&OE Pricing and all details subject to change without notice - Copyright Miniature Bearings Australia Pty Ltd

MBA Size Listings are a guide to sizes only and must not be solely relied on for critical design information.

O-Rings - Neoprene Rubber

Part Number	Inside Diameter (I.D.) mm <i>inches</i>	Section (t) mm <i>inches</i>	Material	Hardness
# OR-10478-476-CR70	104.78 <i>4.125</i>	4.76 <i>0.187</i>	Neoprene	Duro 70
# OR-10732-533-CR70-347	107.32 <i>4.225</i>	5.33 <i>0.210</i>	Neoprene	Duro 70
# OR-10754-353-CR70-244	107.54 <i>4.234</i>	3.53 <i>0.139</i>	Neoprene	Duro 70
# OR-10762-262-CR70-156	107.62 <i>4.237</i>	2.62 <i>0.103</i>	Neoprene	Duro 70
# OR-10767-178-CR70-046	107.67 <i>4.239</i>	1.78 <i>0.070</i>	Neoprene	Duro 70
# OR-10795-159-CR70	107.95 <i>4.250</i>	1.59 <i>0.063</i>	Neoprene	Duro 70
# OR-10795-238-CR70	107.95 <i>4.250</i>	2.38 <i>0.094</i>	Neoprene	Duro 70
# OR-10795-318-CR70	107.95 <i>4.250</i>	3.18 <i>0.125</i>	Neoprene	Duro 70
# OR-10800-300-CR70	108.00 <i>4.252</i>	3.00 <i>0.118</i>	Neoprene	Duro 70
# OR-11049-533-CR70-348	110.49 <i>4.350</i>	5.33 <i>0.210</i>	Neoprene	Duro 70

Indicates item not stocked at time of printing - Please enquire for lead time

E&OE Pricing and all details subject to change without notice - Copyright Miniature Bearings Australia Pty Ltd

MBA Size Listings are a guide to sizes only and must not be solely relied on for critical design information.

O-Rings - Neoprene Rubber

Part Number	Inside Diameter (I.D.) mm <i>inches</i>	Section (t) mm <i>inches</i>	Material	Hardness
# OR-11072-353-CR70-245	110.72 <i>4.359</i>	3.53 <i>0.139</i>	Neoprene	Duro 70
# OR-11100-500-CR70	111.00 <i>4.370</i>	5.00 <i>0.197</i>	Neoprene	Duro 70
# OR-11367-533-CR70-349	113.67 <i>4.475</i>	5.33 <i>0.210</i>	Neoprene	Duro 70
# OR-11367-699-CR70-425	113.67 <i>4.475</i>	6.99 <i>0.275</i>	Neoprene	Duro 70
# OR-11389-353-CR70-246	113.89 <i>4.484</i>	3.53 <i>0.139</i>	Neoprene	Duro 70
# OR-11397-262-CR70-157	113.97 <i>4.487</i>	2.62 <i>0.103</i>	Neoprene	Duro 70
# OR-11400-300-CR70	114.00 <i>4.488</i>	3.00 <i>0.118</i>	Neoprene	Duro 70
# OR-11402-178-CR70-047	114.02 <i>4.489</i>	1.78 <i>0.070</i>	Neoprene	Duro 70
# OR-11430-159-CR70	114.30 <i>4.500</i>	1.59 <i>0.063</i>	Neoprene	Duro 70
# OR-11430-238-CR70	114.30 <i>4.500</i>	2.38 <i>0.094</i>	Neoprene	Duro 70

Indicates item not stocked at time of printing - Please enquire for lead time

E&OE Pricing and all details subject to change without notice - Copyright Miniature Bearings Australia Pty Ltd

MBA Size Listings are a guide to sizes only and must not be solely relied on for critical design information.

O-Rings - Neoprene Rubber

Part Number	Inside Diameter (I.D.) mm	Section (t) mm	Material	Hardness
	<i>inches</i>	<i>inches</i>		
# OR-11430-318-CR70	114.30 <i>4.500</i>	3.18 <i>0.125</i>	Neoprene	Duro 70
# OR-11430-476-CR70	114.30 <i>4.500</i>	4.76 <i>0.187</i>	Neoprene	Duro 70
# OR-11684-533-CR70-350	116.84 <i>4.600</i>	5.33 <i>0.210</i>	Neoprene	Duro 70
# OR-11684-699-CR70-426	116.84 <i>4.600</i>	6.99 <i>0.275</i>	Neoprene	Duro 70
# OR-11707-353-CR70-247	117.07 <i>4.609</i>	3.53 <i>0.139</i>	Neoprene	Duro 70
# OR-12002-533-CR70-351	120.02 <i>4.725</i>	5.33 <i>0.210</i>	Neoprene	Duro 70
# OR-12002-699-CR70-427	120.02 <i>4.725</i>	6.99 <i>0.275</i>	Neoprene	Duro 70
# OR-12024-353-CR70-248	120.24 <i>4.734</i>	3.53 <i>0.139</i>	Neoprene	Duro 70
# OR-12032-262-CR70-158	120.32 <i>4.737</i>	2.62 <i>0.103</i>	Neoprene	Duro 70
# OR-12037-178-CR70-048	120.37 <i>4.739</i>	1.78 <i>0.070</i>	Neoprene	Duro 70

Indicates item not stocked at time of printing - Please enquire for lead time

E&OE Pricing and all details subject to change without notice - Copyright Miniature Bearings Australia Pty Ltd

MBA Size Listings are a guide to sizes only and must not be solely relied on for critical design information.

O-Rings - Neoprene Rubber

Part Number	Inside Diameter (I.D.) mm	Section (t) mm	Material	Hardness
	<i>inches</i>	<i>inches</i>		
# OR-12065-159-CR70	120.65 <i>4.750</i>	1.59 <i>0.063</i>	Neoprene	Duro 70
# OR-12065-238-CR70	120.65 <i>4.750</i>	2.38 <i>0.094</i>	Neoprene	Duro 70
# OR-12065-318-CR70	120.65 <i>4.750</i>	3.18 <i>0.125</i>	Neoprene	Duro 70
# OR-12065-476-CR70	120.65 <i>4.750</i>	4.76 <i>0.187</i>	Neoprene	Duro 70
# OR-12065-635-CR70	120.65 <i>4.750</i>	6.35 <i>0.250</i>	Neoprene	Duro 70
# OR-12100-300-CR70	121.00 <i>4.764</i>	3.00 <i>0.118</i>	Neoprene	Duro 70
# OR-12319-533-CR70-352	123.19 <i>4.850</i>	5.33 <i>0.210</i>	Neoprene	Duro 70
# OR-12319-699-CR70-428	123.19 <i>4.850</i>	6.99 <i>0.275</i>	Neoprene	Duro 70
# OR-12342-353-CR70-249	123.42 <i>4.859</i>	3.53 <i>0.139</i>	Neoprene	Duro 70
# OR-12637-533-CR70-353	126.37 <i>4.975</i>	5.33 <i>0.210</i>	Neoprene	Duro 70

Indicates item not stocked at time of printing - Please enquire for lead time

E&OE Pricing and all details subject to change without notice - Copyright Miniature Bearings Australia Pty Ltd

MBA Size Listings are a guide to sizes only and must not be solely relied on for critical design information.

O-Rings - Neoprene Rubber

Part Number	Inside Diameter (I.D.) mm <i>inches</i>	Section (t) mm <i>inches</i>	Material	Hardness
# OR-12637-699-CR70-429	126.37 <i>4.975</i>	6.99 <i>0.275</i>	Neoprene	Duro 70
# OR-12659-353-CR70-250	126.59 <i>4.984</i>	3.53 <i>0.139</i>	Neoprene	Duro 70
# OR-12667-262-CR70-159	126.67 <i>4.987</i>	2.62 <i>0.103</i>	Neoprene	Duro 70
# OR-12672-178-CR70-049	126.72 <i>4.989</i>	1.78 <i>0.070</i>	Neoprene	Duro 70
# OR-12700-159-CR70	127.00 <i>5.000</i>	1.59 <i>0.063</i>	Neoprene	Duro 70
# OR-12700-238-CR70	127.00 <i>5.000</i>	2.38 <i>0.094</i>	Neoprene	Duro 70
# OR-12700-300-CR70	127.00 <i>5.000</i>	3.00 <i>0.118</i>	Neoprene	Duro 70
# OR-12700-318-CR70	127.00 <i>5.000</i>	3.18 <i>0.125</i>	Neoprene	Duro 70
# OR-12954-533-CR70-354	129.54 <i>5.100</i>	5.33 <i>0.210</i>	Neoprene	Duro 70
# OR-12954-699-CR70-430	129.54 <i>5.100</i>	6.99 <i>0.275</i>	Neoprene	Duro 70

Indicates item not stocked at time of printing - Please enquire for lead time

E&OE Pricing and all details subject to change without notice - Copyright Miniature Bearings Australia Pty Ltd

MBA Size Listings are a guide to sizes only and must not be solely relied on for critical design information.

O-Rings - Neoprene Rubber

Part Number	Inside Diameter (I.D.) mm	Section (t) mm	Material	Hardness
	<i>inches</i>	<i>inches</i>		
# OR-12977-353-CR70-251	129.77 <i>5.109</i>	3.53 <i>0.139</i>	Neoprene	Duro 70
# OR-13018-476-CR70	130.18 <i>5.125</i>	4.76 <i>0.187</i>	Neoprene	Duro 70
# OR-13018-635-CR70	130.18 <i>5.125</i>	6.35 <i>0.250</i>	Neoprene	Duro 70
# OR-13272-533-CR70-355	132.72 <i>5.225</i>	5.33 <i>0.210</i>	Neoprene	Duro 70
# OR-13272-699-CR70-431	132.72 <i>5.225</i>	6.99 <i>0.275</i>	Neoprene	Duro 70
# OR-13294-353-CR70-252	132.94 <i>5.234</i>	3.53 <i>0.139</i>	Neoprene	Duro 70
# OR-13300-300-CR70	133.00 <i>5.236</i>	3.00 <i>0.118</i>	Neoprene	Duro 70
# OR-13302-262-CR70-160	133.02 <i>5.237</i>	2.62 <i>0.103</i>	Neoprene	Duro 70
# OR-13307-178-CR70-050	133.07 <i>5.239</i>	1.78 <i>0.070</i>	Neoprene	Duro 70
# OR-13335-159-CR70	133.35 <i>5.250</i>	1.59 <i>0.063</i>	Neoprene	Duro 70

Indicates item not stocked at time of printing - Please enquire for lead time

E&OE Pricing and all details subject to change without notice - Copyright Miniature Bearings Australia Pty Ltd
MBA Size Listings are a guide to sizes only and must not be solely relied on for critical design information.

O-Rings - Neoprene Rubber

Part Number	Inside Diameter (I.D.) mm	Section (t) mm	Material	Hardness
	<i>inches</i>	<i>inches</i>		
# OR-13335-238-CR70	133.35 <i>5.250</i>	2.38 <i>0.094</i>	Neoprene	Duro 70
# OR-13335-318-CR70	133.35 <i>5.250</i>	3.18 <i>0.125</i>	Neoprene	Duro 70
# OR-13589-533-CR70-356	135.89 <i>5.350</i>	5.33 <i>0.210</i>	Neoprene	Duro 70
# OR-13589-699-CR70-432	135.89 <i>5.350</i>	6.99 <i>0.275</i>	Neoprene	Duro 70
# OR-13612-353-CR70-253	136.12 <i>5.359</i>	3.53 <i>0.139</i>	Neoprene	Duro 70
# OR-13907-533-CR70-357	139.07 <i>5.475</i>	5.33 <i>0.210</i>	Neoprene	Duro 70
# OR-13907-699-CR70-433	139.07 <i>5.475</i>	6.99 <i>0.275</i>	Neoprene	Duro 70
# OR-13929-353-CR70-254	139.29 <i>5.484</i>	3.53 <i>0.139</i>	Neoprene	Duro 70
# OR-13937-262-CR70-161	139.37 <i>5.487</i>	2.62 <i>0.103</i>	Neoprene	Duro 70
# OR-13970-238-CR70	139.70 <i>5.500</i>	2.38 <i>0.094</i>	Neoprene	Duro 70

Indicates item not stocked at time of printing - Please enquire for lead time

E&OE Pricing and all details subject to change without notice - Copyright Miniature Bearings Australia Pty Ltd

MBA Size Listings are a guide to sizes only and must not be solely relied on for critical design information.

O-Rings - Neoprene Rubber

Part Number	Inside Diameter (I.D.) mm <i>inches</i>	Section (t) mm <i>inches</i>	Material	Hardness
# OR-13970-318-CR70	139.70 <i>5.500</i>	3.18 <i>0.125</i>	Neoprene	Duro 70
OR-13970-476-CR70	139.70 <i>5.500</i>	4.76 <i>0.187</i>	Neoprene	Duro 70
OR-14000-300-CR70	140.00 <i>5.512</i>	3.00 <i>0.118</i>	Neoprene	Duro 70
# OR-14224-533-CR70-358	142.24 <i>5.600</i>	5.33 <i>0.210</i>	Neoprene	Duro 70
# OR-14224-699-CR70-434	142.24 <i>5.600</i>	6.99 <i>0.275</i>	Neoprene	Duro 70
# OR-14247-353-CR70-255	142.47 <i>5.609</i>	3.53 <i>0.139</i>	Neoprene	Duro 70
# OR-14542-533-CR70-359	145.42 <i>5.725</i>	5.33 <i>0.210</i>	Neoprene	Duro 70
# OR-14542-699-CR70-435	145.42 <i>5.725</i>	6.99 <i>0.275</i>	Neoprene	Duro 70
# OR-14564-353-CR70-256	145.64 <i>5.734</i>	3.53 <i>0.139</i>	Neoprene	Duro 70
# OR-14572-262-CR70-162	145.72 <i>5.737</i>	2.62 <i>0.103</i>	Neoprene	Duro 70

Indicates item not stocked at time of printing - Please enquire for lead time

E&OE Pricing and all details subject to change without notice - Copyright Miniature Bearings Australia Pty Ltd
MBA Size Listings are a guide to sizes only and must not be solely relied on for critical design information.

O-Rings - Neoprene Rubber

Part Number	Inside Diameter (I.D.) mm	Section (t) mm	Material	Hardness
	<i>inches</i>	<i>inches</i>		
# OR-14600-300-CR70	146.00 <i>5.748</i>	3.00 <i>0.118</i>	Neoprene	Duro 70
# OR-14605-238-CR70	146.05 <i>5.750</i>	2.38 <i>0.094</i>	Neoprene	Duro 70
# OR-14605-318-CR70	146.05 <i>5.750</i>	3.18 <i>0.125</i>	Neoprene	Duro 70
# OR-14859-533-CR70-360	148.59 <i>5.850</i>	5.33 <i>0.210</i>	Neoprene	Duro 70
# OR-14859-699-CR70-436	148.59 <i>5.850</i>	6.99 <i>0.275</i>	Neoprene	Duro 70
# OR-14882-353-CR70-257	148.82 <i>5.859</i>	3.53 <i>0.139</i>	Neoprene	Duro 70
# OR-14923-476-CR70	149.23 <i>5.875</i>	4.76 <i>0.187</i>	Neoprene	Duro 70
# OR-14923-635-CR70	149.23 <i>5.875</i>	6.35 <i>0.250</i>	Neoprene	Duro 70
# OR-15177-533-CR70-361	151.77 <i>5.975</i>	5.33 <i>0.210</i>	Neoprene	Duro 70
# OR-15177-699-CR70-437	151.77 <i>5.975</i>	6.99 <i>0.275</i>	Neoprene	Duro 70

Indicates item not stocked at time of printing - Please enquire for lead time

E&OE Pricing and all details subject to change without notice - Copyright Miniature Bearings Australia Pty Ltd

MBA Size Listings are a guide to sizes only and must not be solely relied on for critical design information.

O-Rings - Neoprene Rubber

Part Number	Inside Diameter (I.D.) mm	Section (t) mm	Material	Hardness
	<i>inches</i>	<i>inches</i>		
# OR-15199-353-CR70-258	151.99 <i>5.984</i>	3.53 <i>0.139</i>	Neoprene	Duro 70
# OR-15200-300-CR70	152.00 <i>5.984</i>	3.00 <i>0.118</i>	Neoprene	Duro 70
# OR-15207-262-CR70-163	152.07 <i>5.987</i>	2.62 <i>0.103</i>	Neoprene	Duro 70
# OR-15240-238-CR70	152.40 <i>6.000</i>	2.38 <i>0.094</i>	Neoprene	Duro 70
# OR-15240-318-CR70	152.40 <i>6.000</i>	3.18 <i>0.125</i>	Neoprene	Duro 70
# OR-15812-533-CR70-362	158.12 <i>6.225</i>	5.33 <i>0.210</i>	Neoprene	Duro 70
# OR-15812-699-CR70-438	158.12 <i>6.225</i>	6.99 <i>0.275</i>	Neoprene	Duro 70
# OR-15834-353-CR70-259	158.34 <i>6.234</i>	3.53 <i>0.139</i>	Neoprene	Duro 70
# OR-15842-262-CR70-164	158.42 <i>6.237</i>	2.62 <i>0.103</i>	Neoprene	Duro 70
# OR-15875-318-CR70	158.75 <i>6.250</i>	3.18 <i>0.125</i>	Neoprene	Duro 70

Indicates item not stocked at time of printing - Please enquire for lead time

E&OE Pricing and all details subject to change without notice - Copyright Miniature Bearings Australia Pty Ltd

MBA Size Listings are a guide to sizes only and must not be solely relied on for critical design information.

O-Rings - Neoprene Rubber

Part Number	Inside Diameter (I.D.) mm	Section (t) mm	Material	Hardness
	<i>inches</i>	<i>inches</i>		
# OR-15900-300-CR70	159.00 <i>6.260</i>	3.00 <i>0.118</i>	Neoprene	Duro 70
# OR-16447-533-CR70-363	164.47 <i>6.475</i>	5.33 <i>0.210</i>	Neoprene	Duro 70
# OR-16447-699-CR70-439	164.47 <i>6.475</i>	6.99 <i>0.275</i>	Neoprene	Duro 70
# OR-16469-353-CR70-260	164.69 <i>6.484</i>	3.53 <i>0.139</i>	Neoprene	Duro 70
# OR-16477-262-CR70-165	164.77 <i>6.487</i>	2.62 <i>0.103</i>	Neoprene	Duro 70
# OR-16500-300-CR70	165.00 <i>6.496</i>	3.00 <i>0.118</i>	Neoprene	Duro 70
# OR-16510-238-CR70	165.10 <i>6.500</i>	2.38 <i>0.094</i>	Neoprene	Duro 70
# OR-16510-318-CR70	165.10 <i>6.500</i>	3.18 <i>0.125</i>	Neoprene	Duro 70
# OR-17082-533-CR70-364	170.82 <i>6.725</i>	5.33 <i>0.210</i>	Neoprene	Duro 70
# OR-17082-699-CR70-440	170.82 <i>6.725</i>	6.99 <i>0.275</i>	Neoprene	Duro 70

Indicates item not stocked at time of printing - Please enquire for lead time

E&OE Pricing and all details subject to change without notice - Copyright Miniature Bearings Australia Pty Ltd

MBA Size Listings are a guide to sizes only and must not be solely relied on for critical design information.

O-Rings - Neoprene Rubber

Part Number	Inside Diameter (I.D.) mm <i>inches</i>	Section (t) mm <i>inches</i>	Material	Hardness
# OR-17104-353-CR70-261	171.04 <i>6.734</i>	3.53 <i>0.139</i>	Neoprene	Duro 70
# OR-17112-262-CR70-166	171.12 <i>6.737</i>	2.62 <i>0.103</i>	Neoprene	Duro 70
# OR-17145-635-CR70	171.45 <i>6.750</i>	6.35 <i>0.250</i>	Neoprene	Duro 70
# OR-17717-533-CR70-365	177.17 <i>6.975</i>	5.33 <i>0.210</i>	Neoprene	Duro 70
# OR-17717-699-CR70-441	177.17 <i>6.975</i>	6.99 <i>0.275</i>	Neoprene	Duro 70
# OR-17739-353-CR70-262	177.39 <i>6.984</i>	3.53 <i>0.139</i>	Neoprene	Duro 70
OR-17747-262-CR70-167	177.47 <i>6.987</i>	2.62 <i>0.103</i>	Neoprene	Duro 70
# OR-17780-238-CR70	177.80 <i>7.000</i>	2.38 <i>0.094</i>	Neoprene	Duro 70
# OR-17780-318-CR70	177.80 <i>7.000</i>	3.18 <i>0.125</i>	Neoprene	Duro 70
# OR-17780-635-CR70	177.80 <i>7.000</i>	6.35 <i>0.250</i>	Neoprene	Duro 70

Indicates item not stocked at time of printing - Please enquire for lead time

E&OE Pricing and all details subject to change without notice - Copyright Miniature Bearings Australia Pty Ltd

MBA Size Listings are a guide to sizes only and must not be solely relied on for critical design information.

O-Rings - Neoprene Rubber

Part Number	Inside Diameter (I.D.) mm	Section (t) mm	Material	Hardness
	<i>inches</i>	<i>inches</i>		
# OR-17800-300-CR70	178.00 <i>7.008</i>	3.00 <i>0.118</i>	Neoprene	Duro 70
# OR-18352-533-CR70-366	183.52 <i>7.225</i>	5.33 <i>0.210</i>	Neoprene	Duro 70
# OR-18352-699-CR70-442	183.52 <i>7.225</i>	6.99 <i>0.275</i>	Neoprene	Duro 70
# OR-18374-353-CR70-263	183.74 <i>7.234</i>	3.53 <i>0.139</i>	Neoprene	Duro 70
# OR-18382-262-CR70-168	183.82 <i>7.237</i>	2.62 <i>0.103</i>	Neoprene	Duro 70
# OR-18415-635-CR70	184.15 <i>7.250</i>	6.35 <i>0.250</i>	Neoprene	Duro 70
# OR-18987-533-CR70-367	189.87 <i>7.475</i>	5.33 <i>0.210</i>	Neoprene	Duro 70
# OR-18987-699-CR70-443	189.87 <i>7.475</i>	6.99 <i>0.275</i>	Neoprene	Duro 70
# OR-19009-353-CR70-264	190.09 <i>7.484</i>	3.53 <i>0.139</i>	Neoprene	Duro 70
# OR-19017-262-CR70-169	190.17 <i>7.487</i>	2.62 <i>0.103</i>	Neoprene	Duro 70

Indicates item not stocked at time of printing - Please enquire for lead time

E&OE Pricing and all details subject to change without notice - Copyright Miniature Bearings Australia Pty Ltd

MBA Size Listings are a guide to sizes only and must not be solely relied on for critical design information.

O-Rings - Neoprene Rubber

Part Number	Inside Diameter (I.D.) mm <i>inches</i>	Section (t) mm <i>inches</i>	Material	Hardness
# OR-19050-238-CR70	190.50 <i>7.500</i>	2.38 <i>0.094</i>	Neoprene	Duro 70
# OR-19050-318-CR70	190.50 <i>7.500</i>	3.18 <i>0.125</i>	Neoprene	Duro 70
# OR-19050-635-CR70	190.50 <i>7.500</i>	6.35 <i>0.250</i>	Neoprene	Duro 70
# OR-19100-300-CR70	191.00 <i>7.520</i>	3.00 <i>0.118</i>	Neoprene	Duro 70
# OR-19622-533-CR70-368	196.22 <i>7.725</i>	5.33 <i>0.210</i>	Neoprene	Duro 70
# OR-19622-699-CR70-444	196.22 <i>7.725</i>	6.99 <i>0.275</i>	Neoprene	Duro 70
# OR-19644-353-CR70-265	196.44 <i>7.734</i>	3.53 <i>0.139</i>	Neoprene	Duro 70
# OR-19652-262-CR70-170	196.52 <i>7.737</i>	2.62 <i>0.103</i>	Neoprene	Duro 70
# OR-19685-635-CR70	196.85 <i>7.750</i>	6.35 <i>0.250</i>	Neoprene	Duro 70
# OR-20257-533-CR70-369	202.57 <i>7.975</i>	5.33 <i>0.210</i>	Neoprene	Duro 70

Indicates item not stocked at time of printing - Please enquire for lead time

E&OE Pricing and all details subject to change without notice - Copyright Miniature Bearings Australia Pty Ltd

MBA Size Listings are a guide to sizes only and must not be solely relied on for critical design information.

O-Rings - Neoprene Rubber

Part Number	Inside Diameter (I.D.) mm <i>inches</i>	Section (t) mm <i>inches</i>	Material	Hardness
# OR-20257-699-CR70-445	202.57 <i>7.975</i>	6.99 <i>0.275</i>	Neoprene	Duro 70
# OR-20279-353-CR70-266	202.79 <i>7.984</i>	3.53 <i>0.139</i>	Neoprene	Duro 70
# OR-20287-262-CR70-171	202.87 <i>7.987</i>	2.62 <i>0.103</i>	Neoprene	Duro 70
# OR-20300-300-CR70	203.00 <i>7.992</i>	3.00 <i>0.118</i>	Neoprene	Duro 70
# OR-20320-238-CR70	203.20 <i>8.000</i>	2.38 <i>0.094</i>	Neoprene	Duro 70
# OR-20320-318-CR70	203.20 <i>8.000</i>	3.18 <i>0.125</i>	Neoprene	Duro 70
# OR-20320-635-CR70	203.20 <i>8.000</i>	6.35 <i>0.250</i>	Neoprene	Duro 70
# OR-20892-533-CR70-370	208.92 <i>8.225</i>	5.33 <i>0.210</i>	Neoprene	Duro 70
# OR-20914-353-CR70-267	209.14 <i>8.234</i>	3.53 <i>0.139</i>	Neoprene	Duro 70
# OR-20922-262-CR70-172	209.22 <i>8.237</i>	2.62 <i>0.103</i>	Neoprene	Duro 70

Indicates item not stocked at time of printing - Please enquire for lead time

E&OE Pricing and all details subject to change without notice - Copyright Miniature Bearings Australia Pty Ltd

MBA Size Listings are a guide to sizes only and must not be solely relied on for critical design information.

O-Rings - Neoprene Rubber

Part Number	Inside Diameter (I.D.) mm	Section (t) mm	Material	Hardness
	<i>inches</i>	<i>inches</i>		
# OR-21527-533-CR70-371	215.27 <i>8.475</i>	5.33 <i>0.210</i>	Neoprene	Duro 70
# OR-21527-699-CR70-446	215.27 <i>8.475</i>	6.99 <i>0.275</i>	Neoprene	Duro 70
# OR-21549-353-CR70-268	215.49 <i>8.484</i>	3.53 <i>0.139</i>	Neoprene	Duro 70
# OR-21557-262-CR70-173	215.57 <i>8.487</i>	2.62 <i>0.103</i>	Neoprene	Duro 70
# OR-21590-238-CR70	215.90 <i>8.500</i>	2.38 <i>0.094</i>	Neoprene	Duro 70
# OR-21590-318-CR70	215.90 <i>8.500</i>	3.18 <i>0.125</i>	Neoprene	Duro 70
# OR-21590-635-CR70	215.90 <i>8.500</i>	6.35 <i>0.250</i>	Neoprene	Duro 70
# OR-21600-300-CR70	216.00 <i>8.504</i>	3.00 <i>0.118</i>	Neoprene	Duro 70
# OR-22162-533-CR70-372	221.62 <i>8.725</i>	5.33 <i>0.210</i>	Neoprene	Duro 70
# OR-22184-353-CR70-269	221.84 <i>8.734</i>	3.53 <i>0.139</i>	Neoprene	Duro 70

Indicates item not stocked at time of printing - Please enquire for lead time

E&OE Pricing and all details subject to change without notice - Copyright Miniature Bearings Australia Pty Ltd

MBA Size Listings are a guide to sizes only and must not be solely relied on for critical design information.

O-Rings - Neoprene Rubber

Part Number	Inside Diameter (I.D.) mm	Section (t) mm	Material	Hardness
	<i>inches</i>	<i>inches</i>		
# OR-22192-262-CR70-174	221.92 <i>8.737</i>	2.62 <i>0.103</i>	Neoprene	Duro 70
# OR-22797-533-CR70-373	227.97 <i>8.975</i>	5.33 <i>0.210</i>	Neoprene	Duro 70
# OR-22797-699-CR70-447	227.97 <i>8.975</i>	6.99 <i>0.275</i>	Neoprene	Duro 70
# OR-22819-353-CR70-270	228.19 <i>8.984</i>	3.53 <i>0.139</i>	Neoprene	Duro 70
# OR-22827-262-CR70-175	228.27 <i>8.987</i>	2.62 <i>0.103</i>	Neoprene	Duro 70
# OR-22860-238-CR70	228.60 <i>9.000</i>	2.38 <i>0.094</i>	Neoprene	Duro 70
# OR-22860-318-CR70	228.60 <i>9.000</i>	3.18 <i>0.125</i>	Neoprene	Duro 70
# OR-22860-635-CR70	228.60 <i>9.000</i>	6.35 <i>0.250</i>	Neoprene	Duro 70
# OR-22900-300-CR70	229.00 <i>9.016</i>	3.00 <i>0.118</i>	Neoprene	Duro 70
# OR-23432-533-CR70-374	234.32 <i>9.225</i>	5.33 <i>0.210</i>	Neoprene	Duro 70

Indicates item not stocked at time of printing - Please enquire for lead time

E&OE Pricing and all details subject to change without notice - Copyright Miniature Bearings Australia Pty Ltd

MBA Size Listings are a guide to sizes only and must not be solely relied on for critical design information.

O-Rings - Neoprene Rubber

Part Number	Inside Diameter (I.D.) mm <i>inches</i>	Section (t) mm <i>inches</i>	Material	Hardness
# OR-23454-353-CR70-271	234.54 <i>9.234</i>	3.53 <i>0.139</i>	Neoprene	Duro 70
# OR-23462-262-CR70-176	234.62 <i>9.237</i>	2.62 <i>0.103</i>	Neoprene	Duro 70
# OR-24067-533-CR70-375	240.67 <i>9.475</i>	5.33 <i>0.210</i>	Neoprene	Duro 70
# OR-24067-699-CR70-448	240.67 <i>9.475</i>	6.99 <i>0.275</i>	Neoprene	Duro 70
# OR-24089-353-CR70-272	240.89 <i>9.484</i>	3.53 <i>0.139</i>	Neoprene	Duro 70
# OR-24097-262-CR70-177	240.97 <i>9.487</i>	2.62 <i>0.103</i>	Neoprene	Duro 70
# OR-24100-300-CR70	241.00 <i>9.488</i>	3.00 <i>0.118</i>	Neoprene	Duro 70
# OR-24130-318-CR70	241.30 <i>9.500</i>	3.18 <i>0.125</i>	Neoprene	Duro 70
# OR-24130-635-CR70	241.30 <i>9.500</i>	6.35 <i>0.250</i>	Neoprene	Duro 70
# OR-24702-533-CR70-376	247.02 <i>9.725</i>	5.33 <i>0.210</i>	Neoprene	Duro 70

Indicates item not stocked at time of printing - Please enquire for lead time

E&OE Pricing and all details subject to change without notice - Copyright Miniature Bearings Australia Pty Ltd

MBA Size Listings are a guide to sizes only and must not be solely relied on for critical design information.

O-Rings - Neoprene Rubber

Part Number	Inside Diameter (I.D.) mm <i>inches</i>	Section (t) mm <i>inches</i>	Material	Hardness
# OR-24726-353-CR70-273	247.26 <i>9.735</i>	3.53 <i>0.139</i>	Neoprene	Duro 70
# OR-24732-262-CR70-178	247.32 <i>9.737</i>	2.62 <i>0.103</i>	Neoprene	Duro 70
# OR-24765-238-CR70	247.65 <i>9.750</i>	2.38 <i>0.094</i>	Neoprene	Duro 70
# OR-25337-533-CR70-377	253.37 <i>9.975</i>	5.33 <i>0.210</i>	Neoprene	Duro 70
# OR-25337-699-CR70-449	253.37 <i>9.975</i>	6.99 <i>0.275</i>	Neoprene	Duro 70
# OR-25359-353-CR70-274	253.59 <i>9.984</i>	3.53 <i>0.139</i>	Neoprene	Duro 70
# OR-25400-300-CR70	254.00 <i>10.000</i>	3.00 <i>0.118</i>	Neoprene	Duro 70
# OR-25400-318-CR70	254.00 <i>10.000</i>	3.18 <i>0.125</i>	Neoprene	Duro 70
# OR-26607-533-CR70-378	266.07 <i>10.475</i>	5.33 <i>0.210</i>	Neoprene	Duro 70
# OR-26607-699-CR70-450	266.07 <i>10.475</i>	6.99 <i>0.275</i>	Neoprene	Duro 70

Indicates item not stocked at time of printing - Please enquire for lead time

E&OE Pricing and all details subject to change without notice - Copyright Miniature Bearings Australia Pty Ltd

MBA Size Listings are a guide to sizes only and must not be solely relied on for critical design information.

O-Rings - Neoprene Rubber

Part Number	Inside Diameter (I.D.) mm	Section (t) mm	Material	Hardness
	<i>inches</i>	<i>inches</i>		
# OR-26629-353-CR70-275	266.29 <i>10.484</i>	3.53 <i>0.139</i>	Neoprene	Duro 70
# OR-26670-318-CR70	266.70 <i>10.500</i>	3.18 <i>0.125</i>	Neoprene	Duro 70
# OR-26670-635-CR70	266.70 <i>10.500</i>	6.35 <i>0.250</i>	Neoprene	Duro 70
# OR-26700-300-CR70	267.00 <i>10.512</i>	3.00 <i>0.118</i>	Neoprene	Duro 70
# OR-27877-533-CR70-379	278.77 <i>10.975</i>	5.33 <i>0.210</i>	Neoprene	Duro 70
# OR-27877-699-CR70-451	278.77 <i>10.975</i>	6.99 <i>0.275</i>	Neoprene	Duro 70
# OR-27899-353-CR70-276	278.99 <i>10.984</i>	3.53 <i>0.139</i>	Neoprene	Duro 70
# OR-27900-300-CR70	279.00 <i>10.984</i>	3.00 <i>0.118</i>	Neoprene	Duro 70
# OR-27940-318-CR70	279.40 <i>11.000</i>	3.18 <i>0.125</i>	Neoprene	Duro 70
# OR-29147-533-CR70-380	291.47 <i>11.475</i>	5.33 <i>0.210</i>	Neoprene	Duro 70

Indicates item not stocked at time of printing - Please enquire for lead time

E&OE Pricing and all details subject to change without notice - Copyright Miniature Bearings Australia Pty Ltd

MBA Size Listings are a guide to sizes only and must not be solely relied on for critical design information.

O-Rings - Neoprene Rubber

Part Number	Inside Diameter (I.D.) mm <i>inches</i>	Section (t) mm <i>inches</i>	Material	Hardness
# OR-29147-699-CR70-452	291.47 <i>11.475</i>	6.99 <i>0.275</i>	Neoprene	Duro 70
# OR-29169-353-CR70-277	291.69 <i>11.484</i>	3.53 <i>0.139</i>	Neoprene	Duro 70
# OR-29200-300-CR70	292.00 <i>11.496</i>	3.00 <i>0.118</i>	Neoprene	Duro 70
# OR-29210-318-CR70	292.10 <i>11.500</i>	3.18 <i>0.125</i>	Neoprene	Duro 70
# OR-29210-635-CR70	292.10 <i>11.500</i>	6.35 <i>0.250</i>	Neoprene	Duro 70
# OR-30417-533-CR70-381	304.17 <i>11.975</i>	5.33 <i>0.210</i>	Neoprene	Duro 70
# OR-30417-699-CR70-453	304.17 <i>11.975</i>	6.99 <i>0.275</i>	Neoprene	Duro 70
# OR-30439-353-CR70-278	304.39 <i>11.984</i>	3.53 <i>0.139</i>	Neoprene	Duro 70
# OR-30480-318-CR70	304.80 <i>12.000</i>	3.18 <i>0.125</i>	Neoprene	Duro 70
# OR-30480-635-CR70	304.80 <i>12.000</i>	6.35 <i>0.250</i>	Neoprene	Duro 70

Indicates item not stocked at time of printing - Please enquire for lead time

E&OE Pricing and all details subject to change without notice - Copyright Miniature Bearings Australia Pty Ltd

MBA Size Listings are a guide to sizes only and must not be solely relied on for critical design information.

O-Rings - Neoprene Rubber

Part Number	Inside Diameter (I.D.) mm <i>inches</i>	Section (t) mm <i>inches</i>	Material	Hardness
# OR-30500-300-CR70	305.00 <i>12.008</i>	3.00 <i>0.118</i>	Neoprene	Duro 70
# OR-31687-699-CR70-454	316.87 <i>12.475</i>	6.99 <i>0.275</i>	Neoprene	Duro 70
# OR-32957-533-CR70-382	329.57 <i>12.975</i>	5.33 <i>0.210</i>	Neoprene	Duro 70
# OR-32957-699-CR70-455	329.57 <i>12.975</i>	6.99 <i>0.275</i>	Neoprene	Duro 70
# OR-32979-353-CR70-279	329.79 <i>12.984</i>	3.53 <i>0.139</i>	Neoprene	Duro 70
# OR-33000-300-CR70	330.00 <i>12.992</i>	3.00 <i>0.118</i>	Neoprene	Duro 70
# OR-33020-318-CR70	330.20 <i>13.000</i>	3.18 <i>0.125</i>	Neoprene	Duro 70
# OR-34227-699-CR70-456	342.27 <i>13.475</i>	6.99 <i>0.275</i>	Neoprene	Duro 70
# OR-34290-635-CR70	342.90 <i>13.500</i>	6.35 <i>0.250</i>	Neoprene	Duro 70
# OR-35497-533-CR70-383	354.97 <i>13.975</i>	5.33 <i>0.210</i>	Neoprene	Duro 70

Indicates item not stocked at time of printing - Please enquire for lead time

E&OE Pricing and all details subject to change without notice - Copyright Miniature Bearings Australia Pty Ltd

MBA Size Listings are a guide to sizes only and must not be solely relied on for critical design information.

O-Rings - Neoprene Rubber

Part Number	Inside Diameter (I.D.) mm <i>inches</i>	Section (t) mm <i>inches</i>	Material	Hardness
# OR-35497-699-CR70-457	354.97 <i>13.975</i>	6.99 <i>0.275</i>	Neoprene	Duro 70
# OR-35519-353-CR70-280	355.19 <i>13.984</i>	3.53 <i>0.139</i>	Neoprene	Duro 70
# OR-35560-318-CR70	355.60 <i>14.000</i>	3.18 <i>0.125</i>	Neoprene	Duro 70
OR-35600-300-CR70	356.00 <i>14.016</i>	3.00 <i>0.118</i>	Neoprene	Duro 70
# OR-36767-699-CR70-458	367.67 <i>14.475</i>	6.99 <i>0.275</i>	Neoprene	Duro 70
# OR-38037-533-CR70-384	380.37 <i>14.975</i>	5.33 <i>0.210</i>	Neoprene	Duro 70
# OR-38037-699-CR70-459	380.37 <i>14.975</i>	6.99 <i>0.275</i>	Neoprene	Duro 70
# OR-38059-353-CR70-281	380.59 <i>14.984</i>	3.53 <i>0.139</i>	Neoprene	Duro 70
# OR-38100-300-CR70	381.00 <i>15.000</i>	3.00 <i>0.118</i>	Neoprene	Duro 70
# OR-38100-318-CR70	381.00 <i>15.000</i>	3.18 <i>0.125</i>	Neoprene	Duro 70

Indicates item not stocked at time of printing - Please enquire for lead time

E&OE Pricing and all details subject to change without notice - Copyright Miniature Bearings Australia Pty Ltd

MBA Size Listings are a guide to sizes only and must not be solely relied on for critical design information.

O-Rings - Neoprene Rubber

Part Number	Inside Diameter (I.D.) mm	Section (t) mm	Material	Hardness
	<i>inches</i>	<i>inches</i>		
# OR-38100-635-CR70	381.00 <i>15.000</i>	6.35 <i>0.250</i>	Neoprene	Duro 70
# OR-39307-699-CR70-460	393.07 <i>15.475</i>	6.99 <i>0.275</i>	Neoprene	Duro 70
# OR-40526-353-CR70-282	405.26 <i>15.955</i>	3.53 <i>0.139</i>	Neoprene	Duro 70
# OR-40526-533-CR70-385	405.26 <i>15.955</i>	5.33 <i>0.210</i>	Neoprene	Duro 70
# OR-40526-699-CR70-461	405.26 <i>15.955</i>	6.99 <i>0.275</i>	Neoprene	Duro 70
# OR-41796-699-CR70-462	417.96 <i>16.455</i>	6.99 <i>0.275</i>	Neoprene	Duro 70
# OR-43066-353-CR70-283	430.66 <i>16.955</i>	3.53 <i>0.139</i>	Neoprene	Duro 70
# OR-43066-533-CR70-386	430.66 <i>16.955</i>	5.33 <i>0.210</i>	Neoprene	Duro 70
# OR-43066-699-CR70-463	430.66 <i>16.955</i>	6.99 <i>0.275</i>	Neoprene	Duro 70
# OR-43180-635-CR70	431.80 <i>17.000</i>	6.35 <i>0.250</i>	Neoprene	Duro 70

Indicates item not stocked at time of printing - Please enquire for lead time

E&OE Pricing and all details subject to change without notice - Copyright Miniature Bearings Australia Pty Ltd

MBA Size Listings are a guide to sizes only and must not be solely relied on for critical design information.

O-Rings - Neoprene Rubber

Part Number	Inside Diameter (I.D.) mm <i>inches</i>	Section (t) mm <i>inches</i>	Material	Hardness
# OR-44336-699-CR70-464	443.36 <i>17.455</i>	6.99 <i>0.275</i>	Neoprene	Duro 70
# OR-45606-353-CR70-284	456.06 <i>17.955</i>	3.53 <i>0.139</i>	Neoprene	Duro 70
# OR-45606-699-CR70-465	456.06 <i>17.955</i>	6.99 <i>0.275</i>	Neoprene	Duro 70
OR-48260-635-CR70	482.60 <i>19.000</i>	6.35 <i>0.250</i>	Neoprene	Duro 70
# OR-53221-533-CR70-390	532.21 <i>20.953</i>	5.33 <i>0.210</i>	Neoprene	Duro 70
# OR-53340-635-CR70	533.40 <i>21.000</i>	6.35 <i>0.250</i>	Neoprene	Duro 70
# OR-55761-533-CR70-391	557.61 <i>21.953</i>	5.33 <i>0.210</i>	Neoprene	Duro 70
# OR-58268-533-CR70-392	582.68 <i>22.940</i>	5.33 <i>0.210</i>	Neoprene	Duro 70
# OR-60808-533-CR70-393	608.08 <i>23.940</i>	5.33 <i>0.210</i>	Neoprene	Duro 70
# OR-63348-533-CR70-394	633.48 <i>24.940</i>	5.33 <i>0.210</i>	Neoprene	Duro 70

Indicates item not stocked at time of printing - Please enquire for lead time

E&OE Pricing and all details subject to change without notice - Copyright Miniature Bearings Australia Pty Ltd

MBA Size Listings are a guide to sizes only and must not be solely relied on for critical design information.

O-Rings - Neoprene Rubber

Part Number	Inside Diameter (I.D.) mm	Section (t) mm	Material	Hardness
	<i>inches</i>	<i>inches</i>		
# OR-65888-533-CR70-395	658.88	5.33	Neoprene	Duro 70
	<i>25.940</i>	<i>0.210</i>		

Indicates item not stocked at time of printing - Please enquire for lead time

E&OE Pricing and all details subject to change without notice - Copyright Miniature Bearings Australia Pty Ltd

MBA Size Listings are a guide to sizes only and must not be solely relied on for critical design information.

DISTRIBUTED BY

Distributed By:

