



Pillars - Threaded

10/4/2018

Indicates item not stocked at time of printing - Please enquire for lead time

E&OE Pricing and all details subject to change without notice - Copyright Miniature Bearings Australia Pty Ltd

MBA Size Listings are a guide to sizes only and must not be solely relied on for critical design information.

Page 1 of 27

INFORMATION

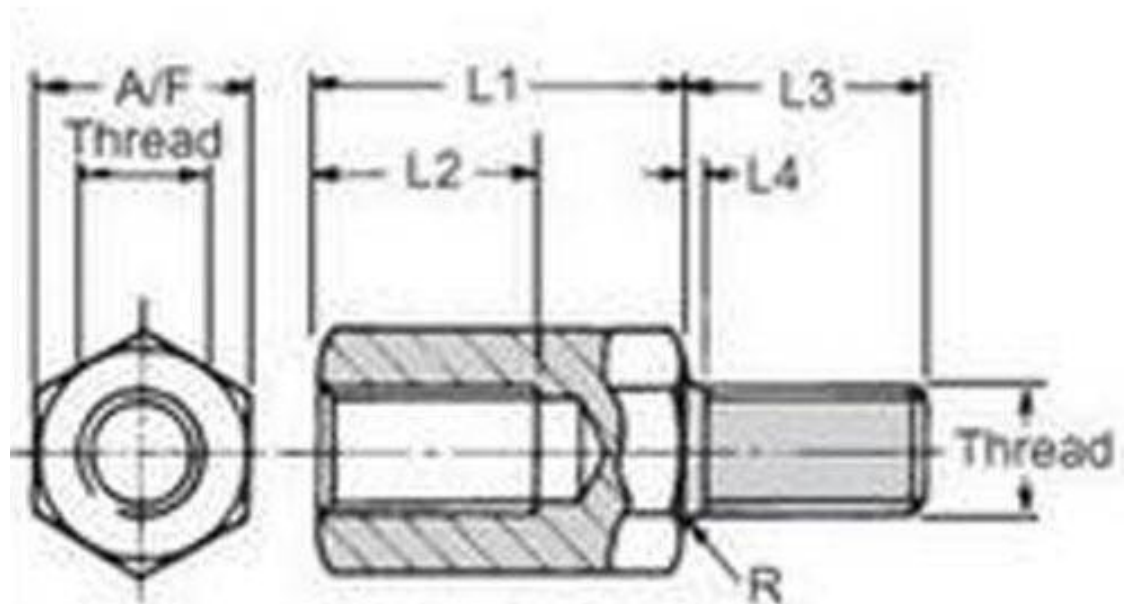
Standoffs

Also know as stand offs

Indicates item not stocked at time of printing - Please enquire for lead time

E&OE Pricing and all details subject to change without notice - Copyright Miniature Bearings Australia Pty Ltd

MBA Size Listings are a guide to sizes only and must not be solely relied on for critical design information.



Indicates item not stocked at time of printing - Please enquire for lead time

E&OE Pricing and all details subject to change without notice - Copyright Miniature Bearings Australia Pty Ltd

MBA Size Listings are a guide to sizes only and must not be solely relied on for critical design information.

Pillars - Threaded

Part Number	Thread Size	Stud Length (L3) mm	Base Length (L1) mm	Across Flats (A/F) mm	Bore Thread Length (L2) mm	Unthreaded Length (L4) mm	Radius (R) mm	Material	Finish
		<i>inches</i>	<i>inches</i>	<i>inches</i>	<i>inches</i>	<i>inches</i>	<i>inches</i>		
# SHX-TP-0200-04-011-BZ	M2x0.4 (2mm Standard)	6.00 <i>0.236</i>	5.00 <i>0.197</i>	4.00 <i>0.157</i>	2.50 <i>0.098</i>	0.70 <i>0.028</i>	0.10 <i>0.004</i>	Brass	Electro-Silver Finish
# SHX-TP-0200-04-014-BZ	M2x0.4 (2mm Standard)	6.00 <i>0.236</i>	8.00 <i>0.315</i>	4.00 <i>0.157</i>	5.00 <i>0.197</i>	0.70 <i>0.028</i>	0.10 <i>0.004</i>	Brass	Electro-Silver Finish
SHX-TP-0200-04-016-BZ	M2x0.4 (2mm Standard)	6.00 <i>0.236</i>	10.00 <i>0.394</i>	4.00 <i>0.157</i>	5.00 <i>0.197</i>	0.70 <i>0.028</i>	0.10 <i>0.004</i>	Brass	Electro-Silver Finish
# SHX-TP-0200-04-018-BZ	M2x0.4 (2mm Standard)	6.00 <i>0.236</i>	12.00 <i>0.472</i>	4.00 <i>0.157</i>	6.00 <i>0.236</i>	0.70 <i>0.028</i>	0.10 <i>0.004</i>	Brass	Electro-Silver Finish
# SHX-TP-0200-04-021-BZ	M2x0.4 (2mm Standard)	6.00 <i>0.236</i>	15.00 <i>0.591</i>	4.00 <i>0.157</i>	6.00 <i>0.236</i>	0.70 <i>0.028</i>	0.10 <i>0.004</i>	Brass	Electro-Silver Finish
# SHX-TP-0200-04-024-BZ	M2x0.4 (2mm Standard)	6.00 <i>0.236</i>	18.00 <i>0.709</i>	4.00 <i>0.157</i>	6.00 <i>0.236</i>	0.70 <i>0.028</i>	0.10 <i>0.004</i>	Brass	Electro-Silver Finish
# SHX-TP-0200-04-026-BZ	M2x0.4 (2mm Standard)	6.00 <i>0.236</i>	20.00 <i>0.787</i>	4.00 <i>0.157</i>	6.00 <i>0.236</i>	0.70 <i>0.028</i>	0.10 <i>0.004</i>	Brass	Electro-Silver Finish
# SHX-TP-0200-04-031-BZ	M2x0.4 (2mm Standard)	6.00 <i>0.236</i>	25.00 <i>0.984</i>	4.00 <i>0.157</i>	6.00 <i>0.236</i>	0.70 <i>0.028</i>	0.10 <i>0.004</i>	Brass	Electro-Silver Finish

Indicates item not stocked at time of printing - Please enquire for lead time

Page 4 of 27

E&OE Pricing and all details subject to change without notice - Copyright Miniature Bearings Australia Pty Ltd
MBA Size Listings are a guide to sizes only and must not be solely relied on for critical design information.

Pillars - Threaded

Part Number	Thread Size	Stud Length (L3) mm	Base Length (L1) mm	Across Flats (A/F) mm	Bore Thread Length (L2) mm	Unthreaded Length (L4) mm	Radius (R) mm	Material	Finish
		<i>inches</i>	<i>inches</i>	<i>inches</i>	<i>inches</i>	<i>inches</i>	<i>inches</i>		
# SHX-TP-0200-04-036-BZ	M2x0.4 (2mm Standard)	6.00 <i>0.236</i>	30.00 <i>1.181</i>	4.00 <i>0.157</i>	6.00 <i>0.236</i>	0.70 <i>0.028</i>	0.10 <i>0.004</i>	Brass	Electro-Silver Finish
# SHX-TP-0200-04-041-BZ	M2x0.4 (2mm Standard)	6.00 <i>0.236</i>	35.00 <i>1.378</i>	4.00 <i>0.157</i>	6.00 <i>0.236</i>	0.70 <i>0.028</i>	0.10 <i>0.004</i>	Brass	Electro-Silver Finish
# SHX-TP-0200-04-046-BZ	M2x0.4 (2mm Standard)	6.00 <i>0.236</i>	40.00 <i>1.575</i>	4.00 <i>0.157</i>	6.00 <i>0.236</i>	0.70 <i>0.028</i>	0.10 <i>0.004</i>	Brass	Electro-Silver Finish
SHX-TP-0250-05-011-BZ	M2.5x0.45 (2.5mm Standard)	6.00 <i>0.236</i>	5.00 <i>0.197</i>	5.00 <i>0.197</i>	2.50 <i>0.098</i>	0.80 <i>0.031</i>	0.10 <i>0.004</i>	Brass	Electro-Silver Finish
SHX-TP-0250-05-014-BZ	M2.5x0.45 (2.5mm Standard)	6.00 <i>0.236</i>	8.00 <i>0.315</i>	5.00 <i>0.197</i>	5.00 <i>0.197</i>	0.80 <i>0.031</i>	0.10 <i>0.004</i>	Brass	Electro-Silver Finish
SHX-TP-0250-05-016-BZ	M2.5x0.45 (2.5mm Standard)	6.00 <i>0.236</i>	10.00 <i>0.394</i>	5.00 <i>0.197</i>	5.00 <i>0.197</i>	0.80 <i>0.031</i>	0.10 <i>0.004</i>	Brass	Electro-Silver Finish
SHX-TP-0250-05-018-BZ	M2.5x0.45 (2.5mm Standard)	6.00 <i>0.236</i>	12.00 <i>0.472</i>	5.00 <i>0.197</i>	5.00 <i>0.197</i>	0.80 <i>0.031</i>	0.10 <i>0.004</i>	Brass	Electro-Silver Finish

Indicates item not stocked at time of printing - Please enquire for lead time

Page 5 of 27

E&OE Pricing and all details subject to change without notice - Copyright Miniature Bearings Australia Pty Ltd
MBA Size Listings are a guide to sizes only and must not be solely relied on for critical design information.

Pillars - Threaded

Part Number	Thread Size	Stud Length (L3) mm	Base Length (L1) mm	Across Flats (A/F) mm	Bore Thread Length (L2) mm	Unthreaded Length (L4) mm	Radius (R) mm	Material	Finish
		<i>inches</i>	<i>inches</i>	<i>inches</i>	<i>inches</i>	<i>inches</i>	<i>inches</i>		
SHX-TP-0250-05-021-BZ	M2.5x0.45 (2.5mm Standard)	6.00	15.00	5.00	6.00	0.80	0.10	Brass	Electro-Silver Finish
		<i>0.236</i>	<i>0.591</i>	<i>0.197</i>	<i>0.236</i>	<i>0.031</i>	<i>0.004</i>		
# SHX-TP-0250-05-024-BZ	M2.5x0.45 (2.5mm Standard)	6.00	18.00	5.00	6.00	0.80	0.10	Brass	Electro-Silver Finish
		<i>0.236</i>	<i>0.709</i>	<i>0.197</i>	<i>0.236</i>	<i>0.031</i>	<i>0.004</i>		
SHX-TP-0250-05-026-BZ	M2.5x0.45 (2.5mm Standard)	6.00	20.00	5.00	6.00	0.80	0.10	Brass	Electro-Silver Finish
		<i>0.236</i>	<i>0.787</i>	<i>0.197</i>	<i>0.236</i>	<i>0.031</i>	<i>0.004</i>		
SHX-TP-0250-05-031-BZ	M2.5x0.45 (2.5mm Standard)	6.00	25.00	5.00	6.00	0.80	0.10	Brass	Electro-Silver Finish
		<i>0.236</i>	<i>0.984</i>	<i>0.197</i>	<i>0.236</i>	<i>0.031</i>	<i>0.004</i>		
# SHX-TP-0250-05-036-BZ	M2.5x0.45 (2.5mm Standard)	6.00	30.00	5.00	6.00	0.80	0.10	Brass	Electro-Silver Finish
		<i>0.236</i>	<i>1.181</i>	<i>0.197</i>	<i>0.236</i>	<i>0.031</i>	<i>0.004</i>		
# SHX-TP-0250-05-041-BZ	M2.5x0.45 (2.5mm Standard)	6.00	35.00	5.00	6.00	0.80	0.10	Brass	Electro-Silver Finish
		<i>0.236</i>	<i>1.378</i>	<i>0.197</i>	<i>0.236</i>	<i>0.031</i>	<i>0.004</i>		
# SHX-TP-0250-05-046-BZ	M2.5x0.45 (2.5mm Standard)	6.00	40.00	5.00	6.00	0.80	0.10	Brass	Electro-Silver Finish
		<i>0.236</i>	<i>1.575</i>	<i>0.197</i>	<i>0.236</i>	<i>0.031</i>	<i>0.004</i>		

Indicates item not stocked at time of printing - Please enquire for lead time

Page 6 of 27

E&OE Pricing and all details subject to change without notice - Copyright Miniature Bearings Australia Pty Ltd
MBA Size Listings are a guide to sizes only and must not be solely relied on for critical design information.

Pillars - Threaded

Part Number	Thread Size	Stud Length (L3) mm	Base Length (L1) mm	Across Flats (A/F) mm	Bore Thread Length (L2) mm	Unthreaded Length (L4) mm	Radius (R) mm	Material	Finish
		<i>inches</i>	<i>inches</i>	<i>inches</i>	<i>inches</i>	<i>inches</i>	<i>inches</i>		
# SHX-TP-0285C-06-011-A	4-40 UNC (2.845mm)	4.76 <i>0.187</i>	6.35 <i>0.250</i>	6.35 <i>0.250</i>	3.48 <i>0.137</i>	-	-	Aluminum	Plain
# SHX-TP-0285C-06-014-A	4-40 UNC (2.845mm)	4.76 <i>0.187</i>	9.53 <i>0.375</i>	6.35 <i>0.250</i>	6.35 <i>0.250</i>	-	-	Aluminum	Plain
# SHX-TP-0285C-06-017-A	4-40 UNC (2.845mm)	4.76 <i>0.187</i>	12.70 <i>0.500</i>	6.35 <i>0.250</i>	6.35 <i>0.250</i>	-	-	Aluminum	Plain
# SHX-TP-0285C-06-017-BZ	4-40 UNC (2.845mm)	4.76 <i>0.187</i>	12.70 <i>0.500</i>	6.35 <i>0.250</i>	6.35 <i>0.250</i>	-	-	Brass	Electro-Zinc Yellow
# SHX-TP-0285C-06-017-S3	4-40 UNC (2.845mm)	4.76 <i>0.187</i>	12.70 <i>0.500</i>	6.35 <i>0.250</i>	6.35 <i>0.250</i>	-	-	Stainless Steel	-
# SHX-TP-0285C-06-021-A	4-40 UNC (2.845mm)	4.76 <i>0.187</i>	15.88 <i>0.625</i>	6.35 <i>0.250</i>	6.35 <i>0.250</i>	-	-	Aluminum	Plain
# SHX-TP-0285C-06-030-A	4-40 UNC (2.845mm)	4.76 <i>0.187</i>	25.40 <i>1.000</i>	6.35 <i>0.250</i>	6.35 <i>0.250</i>	-	-	Aluminum	Plain
# SHX-TP-0285C-06-037-A	4-40 UNC (2.845mm)	4.76 <i>0.187</i>	31.75 <i>1.250</i>	6.35 <i>0.250</i>	6.35 <i>0.250</i>	-	-	Aluminum	Plain

Indicates item not stocked at time of printing - Please enquire for lead time

Page 7 of 27

E&OE Pricing and all details subject to change without notice - Copyright Miniature Bearings Australia Pty Ltd
MBA Size Listings are a guide to sizes only and must not be solely relied on for critical design information.

Pillars - Threaded

Part Number	Thread Size	Stud Length (L3) mm	Base Length (L1) mm	Across Flats (A/F) mm	Bore Thread Length (L2) mm	Unthreaded Length (L4) mm	Radius (R) mm	Material	Finish
		<i>inches</i>	<i>inches</i>	<i>inches</i>	<i>inches</i>	<i>inches</i>	<i>inches</i>		
# SHX-TP-0300-06-011-BZ	M3x0.5 (3mm Standard)	4.76 <i>0.187</i>	6.00 <i>0.236</i>	6.00 <i>0.236</i>	2.80 <i>0.110</i>	-	-	Brass	Chromate Zinc Plated
SHX-TP-0300-06-018-BZ	M3x0.5 (3mm Standard)	4.76 <i>0.187</i>	13.00 <i>0.512</i>	6.00 <i>0.236</i>	6.40 <i>0.252</i>	-	-	Brass	Chromate Zinc Plated
SHX-TP-0300-06-021-BZ	M3x0.5 (3mm Standard)	4.76 <i>0.187</i>	16.00 <i>0.630</i>	6.00 <i>0.236</i>	6.40 <i>0.252</i>	-	-	Brass	Chromate Zinc Plated
SHX-TP-0300-06-024-BZ	M3x0.5 (3mm Standard)	4.76 <i>0.187</i>	19.00 <i>0.748</i>	6.00 <i>0.236</i>	6.40 <i>0.252</i>	-	-	Brass	Chromate Zinc Plated
SHX-TP-0300-06-036-BZ	M3x0.5 (3mm Standard)	4.76 <i>0.187</i>	31.00 <i>1.220</i>	6.00 <i>0.236</i>	6.40 <i>0.252</i>	-	-	Brass	Chromate Zinc Plated
# SHX-TP-0300-10-011-BZ	M3x0.5 (3mm Standard)	6.35 <i>0.250</i>	4.760 <i>0.187</i>	10.00 <i>0.394</i>	6.40 <i>0.252</i>	-	-	Brass	Chromate Zinc Plated
# SHX-TP-0300-06-013-S3	M3x0.5 (3mm Standard)	8.00 <i>0.315</i>	5.00 <i>0.197</i>	5.50 <i>0.217</i>	3.00 <i>0.118</i>	-	-	303 Stainless Steel	None
# SHX-TP-0300-05-013-BZ	M3x0.5 (3mm Standard)	8.00 <i>0.315</i>	5.00 <i>0.197</i>	5.00 <i>0.197</i>	3.00 <i>0.118</i>	0.90 <i>0.035</i>	0.10 <i>0.004</i>	Brass	Electro-Silver Finish

Indicates item not stocked at time of printing - Please enquire for lead time

E&OE Pricing and all details subject to change without notice - Copyright Miniature Bearings Australia Pty Ltd
MBA Size Listings are a guide to sizes only and must not be solely relied on for critical design information.

Pillars - Threaded

Part Number	Thread Size	Stud Length (L3) mm	Base Length (L1) mm	Across Flats (A/F) mm	Bore Thread Length (L2) mm	Unthreaded Length (L4) mm	Radius (R) mm	Material	Finish
		<i>inches</i>	<i>inches</i>	<i>inches</i>	<i>inches</i>	<i>inches</i>	<i>inches</i>		
# SHX-TP-0300-05-013-MZ	M3x0.5 (3mm Standard)	8.00 <i>0.315</i>	5.00 <i>0.197</i>	5.00 <i>0.197</i>	3.00 <i>0.118</i>	0.90 <i>0.035</i>	0.10 <i>0.004</i>	Mild Steel (S 300 Pb)	Electro-Zinc Yellow
# SHX-TP-0300-05-016-MZ	M3x0.5 (3mm Standard)	8.00 <i>0.315</i>	8.00 <i>0.315</i>	5.00 <i>0.197</i>	5.00 <i>0.197</i>	0.90 <i>0.035</i>	0.10 <i>0.004</i>	Mild Steel (S 300 Pb)	Electro-Zinc Yellow
# SHX-TP-0300-06-016-S3	M3x0.5 (3mm Standard)	8.00 <i>0.315</i>	8.00 <i>0.315</i>	5.50 <i>0.217</i>	5.00 <i>0.197</i>	-	-	303 Stainless Steel	None
SHX-TP-0300-05-016-BZ	M3x0.5 (3mm Standard)	8.00 <i>0.315</i>	8.00 <i>0.315</i>	5.00 <i>0.197</i>	5.00 <i>0.197</i>	0.90 <i>0.035</i>	0.10 <i>0.004</i>	Brass	Electro-Silver Finish
SHX-TP-0300-05-018-MZ	M3x0.5 (3mm Standard)	8.00 <i>0.315</i>	10.00 <i>0.394</i>	5.00 <i>0.197</i>	5.00 <i>0.197</i>	0.90 <i>0.035</i>	0.10 <i>0.004</i>	Mild Steel (S 300 Pb)	Electro-Zinc Yellow
# SHX-TP-0300-05-018-BZ	M3x0.5 (3mm Standard)	8.00 <i>0.315</i>	10.00 <i>0.394</i>	5.00 <i>0.197</i>	5.00 <i>0.197</i>	0.90 <i>0.035</i>	0.10 <i>0.004</i>	Brass	Electro-Silver Finish
SHX-TP-0300-06-018-S3	M3x0.5 (3mm Standard)	8.00 <i>0.315</i>	10.00 <i>0.394</i>	5.50 <i>0.217</i>	5.00 <i>0.197</i>	-	-	303 Stainless Steel	None
SHX-TP-0300-05-020-BZ	M3x0.5 (3mm Standard)	8.00 <i>0.315</i>	12.00 <i>0.472</i>	5.00 <i>0.197</i>	8.00 <i>0.315</i>	0.90 <i>0.035</i>	0.10 <i>0.004</i>	Brass	Electro-Silver Finish

Indicates item not stocked at time of printing - Please enquire for lead time

Page 9 of 27

E&OE Pricing and all details subject to change without notice - Copyright Miniature Bearings Australia Pty Ltd
MBA Size Listings are a guide to sizes only and must not be solely relied on for critical design information.

Pillars - Threaded

Part Number	Thread Size	Stud Length (L3) mm	Base Length (L1) mm	Across Flats (A/F) mm	Bore Thread Length (L2) mm	Unthreaded Length (L4) mm	Radius (R) mm	Material	Finish
		<i>inches</i>	<i>inches</i>	<i>inches</i>	<i>inches</i>	<i>inches</i>	<i>inches</i>		
# SHX-TP-0300-05-020-MZ	M3x0.5 (3mm Standard)	8.00 <i>0.315</i>	12.00 <i>0.472</i>	5.00 <i>0.197</i>	8.00 <i>0.315</i>	0.90 <i>0.035</i>	0.10 <i>0.004</i>	Mild Steel (S 300 Pb)	Electro-Zinc Yellow
# SHX-TP-0300-06-020-S3	M3x0.5 (3mm Standard)	8.00 <i>0.315</i>	12.00 <i>0.472</i>	5.50 <i>0.217</i>	8.00 <i>0.315</i>	-	-	303 Stainless Steel	None
# SHX-TP-0300-05-023-BZ	M3x0.5 (3mm Standard)	8.00 <i>0.315</i>	15.00 <i>0.591</i>	5.00 <i>0.197</i>	8.00 <i>0.315</i>	0.90 <i>0.035</i>	0.10 <i>0.004</i>	Brass	Electro-Silver Finish
# SHX-TP-0300-06-023-S3	M3x0.5 (3mm Standard)	8.00 <i>0.315</i>	15.00 <i>0.591</i>	5.50 <i>0.217</i>	8.00 <i>0.315</i>	-	-	303 Stainless Steel	None
# SHX-TP-0300-05-023-MZ	M3x0.5 (3mm Standard)	8.00 <i>0.315</i>	15.00 <i>0.591</i>	5.00 <i>0.197</i>	8.00 <i>0.315</i>	0.90 <i>0.035</i>	0.10 <i>0.004</i>	Mild Steel (S 300 Pb)	Electro-Zinc Yellow
# SHX-TP-0300-06-026-S3	M3x0.5 (3mm Standard)	8.00 <i>0.315</i>	18.00 <i>0.709</i>	5.50 <i>0.217</i>	8.00 <i>0.315</i>	-	-	303 Stainless Steel	None
# SHX-TP-0300-05-026-BZ	M3x0.5 (3mm Standard)	8.00 <i>0.315</i>	18.00 <i>0.709</i>	5.00 <i>0.197</i>	8.00 <i>0.315</i>	0.90 <i>0.035</i>	0.10 <i>0.004</i>	Brass	Electro-Silver Finish
# SHX-TP-0300-05-026-MZ	M3x0.5 (3mm Standard)	8.00 <i>0.315</i>	18.00 <i>0.709</i>	5.00 <i>0.197</i>	8.00 <i>0.315</i>	0.90 <i>0.035</i>	0.10 <i>0.004</i>	Mild Steel (S 300 Pb)	Electro-Zinc Yellow

Indicates item not stocked at time of printing - Please enquire for lead time

Page 10 of 27

E&OE Pricing and all details subject to change without notice - Copyright Miniature Bearings Australia Pty Ltd
MBA Size Listings are a guide to sizes only and must not be solely relied on for critical design information.

Pillars - Threaded

Part Number	Thread Size	Stud Length (L3) mm	Base Length (L1) mm	Across Flats (A/F) mm	Bore Thread Length (L2) mm	Unthreaded Length (L4) mm	Radius (R) mm	Material	Finish
		<i>inches</i>	<i>inches</i>	<i>inches</i>	<i>inches</i>	<i>inches</i>	<i>inches</i>		
# SHX-TP-0300-06-028-S3	M3x0.5 (3mm Standard)	8.00 <i>0.315</i>	20.00 <i>0.787</i>	5.50 <i>0.217</i>	8.00 <i>0.315</i>	-	-	303 Stainless Steel	None
# SHX-TP-0300-05-028-MZ	M3x0.5 (3mm Standard)	8.00 <i>0.315</i>	20.00 <i>0.787</i>	5.00 <i>0.197</i>	8.00 <i>0.315</i>	0.90 <i>0.035</i>	0.10 <i>0.004</i>	Mild Steel (S 300 Pb)	Electro-Zinc Yellow
SHX-TP-0300-05-028-BZ	M3x0.5 (3mm Standard)	8.00 <i>0.315</i>	20.00 <i>0.787</i>	5.00 <i>0.197</i>	8.00 <i>0.315</i>	0.90 <i>0.035</i>	0.10 <i>0.004</i>	Brass	Electro-Silver Finish
# SHX-TP-0300-06-035-S3	M3x0.5 (3mm Standard)	10.00 <i>0.394</i>	25.00 <i>0.984</i>	5.50 <i>0.217</i>	10.00 <i>0.394</i>	-	-	303 Stainless Steel	None
SHX-TP-0300-05-035-BZ	M3x0.5 (3mm Standard)	10.00 <i>0.394</i>	25.00 <i>0.984</i>	5.00 <i>0.197</i>	10.00 <i>0.394</i>	0.90 <i>0.035</i>	0.10 <i>0.004</i>	Brass	Electro-Silver Finish
# SHX-TP-0300-05-035-MZ	M3x0.5 (3mm Standard)	10.00 <i>0.394</i>	25.00 <i>0.984</i>	5.00 <i>0.197</i>	10.00 <i>0.394</i>	0.90 <i>0.035</i>	0.10 <i>0.004</i>	Mild Steel (S 300 Pb)	Electro-Zinc Yellow
# SHX-TP-0300-05-040-MZ	M3x0.5 (3mm Standard)	10.00 <i>0.394</i>	30.00 <i>1.181</i>	5.00 <i>0.197</i>	10.00 <i>0.394</i>	0.90 <i>0.035</i>	0.10 <i>0.004</i>	Mild Steel (S 300 Pb)	Electro-Zinc Yellow
# SHX-TP-0300-05-040-BZ	M3x0.5 (3mm Standard)	10.00 <i>0.394</i>	30.00 <i>1.181</i>	5.00 <i>0.197</i>	10.00 <i>0.394</i>	0.90 <i>0.035</i>	0.10 <i>0.004</i>	Brass	Electro-Silver Finish

Indicates item not stocked at time of printing - Please enquire for lead time

Page 11 of 27

E&OE Pricing and all details subject to change without notice - Copyright Miniature Bearings Australia Pty Ltd
MBA Size Listings are a guide to sizes only and must not be solely relied on for critical design information.

Pillars - Threaded

Part Number	Thread Size	Stud Length (L3) mm	Base Length (L1) mm	Across Flats (A/F) mm	Bore Thread Length (L2) mm	Unthreaded Length (L4) mm	Radius (R) mm	Material	Finish
		<i>inches</i>	<i>inches</i>	<i>inches</i>	<i>inches</i>	<i>inches</i>	<i>inches</i>		
# SHX-TP-0300-05-045-BZ	M3x0.5 (3mm Standard)	10.00 <i>0.394</i>	35.00 <i>1.378</i>	5.00 <i>0.197</i>	10.00 <i>0.394</i>	0.90 <i>0.035</i>	0.10 <i>0.004</i>	Brass	Electro-Silver Finish
SHX-TP-0300-05-045-MZ	M3x0.5 (3mm Standard)	10.00 <i>0.394</i>	35.00 <i>1.378</i>	5.00 <i>0.197</i>	10.00 <i>0.394</i>	0.90 <i>0.035</i>	0.10 <i>0.004</i>	Mild Steel (S 300 Pb)	Electro-Zinc Yellow
# SHX-TP-0300-05-050-MZ	M3x0.5 (3mm Standard)	10.00 <i>0.394</i>	40.00 <i>1.575</i>	5.00 <i>0.197</i>	10.00 <i>0.394</i>	0.90 <i>0.035</i>	0.10 <i>0.004</i>	Mild Steel (S 300 Pb)	Electro-Zinc Yellow
SHX-TP-0300-05-050-BZ	M3x0.5 (3mm Standard)	10.00 <i>0.394</i>	40.00 <i>1.575</i>	5.00 <i>0.197</i>	10.00 <i>0.394</i>	0.90 <i>0.035</i>	0.10 <i>0.004</i>	Brass	Electro-Silver Finish
# SHX-TP-0300-05-055-MZ	M3x0.5 (3mm Standard)	10.00 <i>0.394</i>	45.00 <i>1.772</i>	5.00 <i>0.197</i>	10.00 <i>0.394</i>	0.90 <i>0.035</i>	0.10 <i>0.004</i>	Mild Steel (S 300 Pb)	Electro-Zinc Yellow
# SHX-TP-0300-05-055-BZ	M3x0.5 (3mm Standard)	10.00 <i>0.394</i>	45.00 <i>1.772</i>	5.00 <i>0.197</i>	10.00 <i>0.394</i>	0.90 <i>0.035</i>	0.10 <i>0.004</i>	Brass	Electro-Silver Finish
# SHX-TP-0300-05-060-MZ	M3x0.5 (3mm Standard)	10.00 <i>0.394</i>	50.00 <i>1.969</i>	5.00 <i>0.197</i>	10.00 <i>0.394</i>	0.90 <i>0.035</i>	0.10 <i>0.004</i>	Mild Steel (S 300 Pb)	Electro-Zinc Yellow
# SHX-TP-0300-05-060-BZ	M3x0.5 (3mm Standard)	10.00 <i>0.394</i>	50.00 <i>1.969</i>	5.00 <i>0.197</i>	10.00 <i>0.394</i>	0.90 <i>0.035</i>	0.10 <i>0.004</i>	Brass	Electro-Silver Finish

Indicates item not stocked at time of printing - Please enquire for lead time

Page 12 of 27

E&OE Pricing and all details subject to change without notice - Copyright Miniature Bearings Australia Pty Ltd
MBA Size Listings are a guide to sizes only and must not be solely relied on for critical design information.

Pillars - Threaded

Part Number	Thread Size	Stud Length (L3) mm	Base Length (L1) mm	Across Flats (A/F) mm	Bore Thread Length (L2) mm	Unthreaded Length (L4) mm	Radius (R) mm	Material	Finish
		<i>inches</i>	<i>inches</i>	<i>inches</i>	<i>inches</i>	<i>inches</i>	<i>inches</i>		
# SHX-TP-0300-05-065-MZ	M3x0.5 (3mm Standard)	10.00 <i>0.394</i>	55.00 <i>2.165</i>	5.00 <i>0.197</i>	10.00 <i>0.394</i>	0.90 <i>0.035</i>	0.10 <i>0.004</i>	Mild Steel (S 300 Pb)	Electro-Zinc Yellow
# SHX-TP-0300-05-065-BZ	M3x0.5 (3mm Standard)	10.00 <i>0.394</i>	55.00 <i>2.165</i>	5.00 <i>0.197</i>	10.00 <i>0.394</i>	0.90 <i>0.035</i>	0.10 <i>0.004</i>	Brass	Electro-Silver Finish
# SHX-TP-0300-05-070-MZ	M3x0.5 (3mm Standard)	10.00 <i>0.394</i>	60.00 <i>2.362</i>	5.00 <i>0.197</i>	10.00 <i>0.394</i>	0.90 <i>0.035</i>	0.10 <i>0.004</i>	Mild Steel (S 300 Pb)	Electro-Zinc Yellow
# SHX-TP-0300-05-070-BZ	M3x0.5 (3mm Standard)	10.00 <i>0.394</i>	60.00 <i>2.362</i>	5.00 <i>0.197</i>	10.00 <i>0.394</i>	0.90 <i>0.035</i>	0.10 <i>0.004</i>	Brass	Electro-Silver Finish
# SHX-TP-0300-05-080-MZ	M3x0.5 (3mm Standard)	10.00 <i>0.394</i>	70.00 <i>2.756</i>	5.00 <i>0.197</i>	10.00 <i>0.394</i>	0.90 <i>0.035</i>	0.10 <i>0.004</i>	Mild Steel (S 300 Pb)	Electro-Zinc Yellow
# SHX-TP-0300-05-080-BZ	M3x0.5 (3mm Standard)	10.00 <i>0.394</i>	70.00 <i>2.756</i>	5.00 <i>0.197</i>	10.00 <i>0.394</i>	0.90 <i>0.035</i>	0.10 <i>0.004</i>	Brass	Electro-Silver Finish
# SHX-TP-0300-05-090-BZ	M3x0.5 (3mm Standard)	10.00 <i>0.394</i>	80.00 <i>3.150</i>	5.00 <i>0.197</i>	10.00 <i>0.394</i>	0.90 <i>0.035</i>	0.10 <i>0.004</i>	Brass	Electro-Silver Finish
# SHX-TP-0300-05-090-MZ	M3x0.5 (3mm Standard)	10.00 <i>0.394</i>	80.00 <i>3.150</i>	5.00 <i>0.197</i>	10.00 <i>0.394</i>	0.90 <i>0.035</i>	0.10 <i>0.004</i>	Mild Steel (S 300 Pb)	Electro-Zinc Yellow

Indicates item not stocked at time of printing - Please enquire for lead time

Page 13 of 27

E&OE Pricing and all details subject to change without notice - Copyright Miniature Bearings Australia Pty Ltd
MBA Size Listings are a guide to sizes only and must not be solely relied on for critical design information.

Pillars - Threaded

Part Number	Thread Size	Stud Length (L3) mm	Base Length (L1) mm	Across Flats (A/F) mm	Bore Thread Length (L2) mm	Unthreaded Length (L4) mm	Radius (R) mm	Material	Finish
		<i>inches</i>	<i>inches</i>	<i>inches</i>	<i>inches</i>	<i>inches</i>	<i>inches</i>		
SHX-TP-0350-06-016-BZ	M3.5x0.6 (3.5mm Standard)	6.35 <i>0.250</i>	10.00 <i>0.394</i>	6.00 <i>0.236</i>	6.50 <i>0.256</i>	-	-	Brass	Chromate Zinc Plated
# SHX-TP-0350-06-025-BZ	M3.5x0.6 (3.5mm Standard)	6.35 <i>0.250</i>	19.00 <i>0.748</i>	6.00 <i>0.236</i>	9.50 <i>0.374</i>	-	-	Brass	Chromate Zinc Plated
# SHX-TP-0350C-06-016-A	6-32 UNC (3.5mm)	6.35 <i>0.250</i>	9.53 <i>0.375</i>	6.35 <i>0.250</i>	6.35 <i>0.250</i>	-	-	Aluminum	Plain
# SHX-TP-0350C-06-019-A	6-32 UNC (3.5mm)	6.35 <i>0.250</i>	12.70 <i>0.500</i>	6.35 <i>0.250</i>	9.53 <i>0.375</i>	-	-	Aluminum	Plain
# SHX-TP-0350C-06-019-S3	6-32 UNC (3.5mm)	6.35 <i>0.250</i>	12.70 <i>0.500</i>	6.35 <i>0.250</i>	9.53 <i>0.375</i>	-	-	Stainless Steel	-
# SHX-TP-0350C-06-022-S3	6-32 UNC (3.5mm)	6.35 <i>0.250</i>	15.88 <i>0.625</i>	6.35 <i>0.250</i>	9.53 <i>0.375</i>	-	-	Stainless Steel	-
# SHX-TP-0350C-06-025-S3	6-32 UNC (3.5mm)	6.35 <i>0.250</i>	19.05 <i>0.750</i>	6.35 <i>0.250</i>	9.53 <i>0.375</i>	-	-	Stainless Steel	-
# SHX-TP-0350C-06-029-S3	6-32 UNC (3.5mm)	6.35 <i>0.250</i>	22.23 <i>0.875</i>	6.35 <i>0.250</i>	9.53 <i>0.375</i>	-	-	Stainless Steel	-

Indicates item not stocked at time of printing - Please enquire for lead time

E&OE Pricing and all details subject to change without notice - Copyright Miniature Bearings Australia Pty Ltd
MBA Size Listings are a guide to sizes only and must not be solely relied on for critical design information.

Pillars - Threaded

Part Number	Thread Size	Stud Length (L3) mm	Base Length (L1) mm	Across Flats (A/F) mm	Bore Thread Length (L2) mm	Unthreaded Length (L4) mm	Radius (R) mm	Material	Finish
		<i>inches</i>	<i>inches</i>	<i>inches</i>	<i>inches</i>	<i>inches</i>	<i>inches</i>		
# SHX-TP-0350C-06-032-A	6-32 UNC (3.5mm)	6.35 <i>0.250</i>	25.40 <i>1.000</i>	6.35 <i>0.250</i>	9.53 <i>0.375</i>	-	-	Aluminum	Plain
SHX-TP-0350C-06-032-S3	6-32 UNC (3.5mm)	6.35 <i>0.250</i>	25.40 <i>1.000</i>	6.35 <i>0.250</i>	9.53 <i>0.375</i>	-	-	Stainless Steel	-
SHX-TP-0400-07-013-MZ	M4x0.7 (4mm Standard)	8.00 <i>0.315</i>	5.00 <i>0.197</i>	7.00 <i>0.276</i>	3.00 <i>0.118</i>	1.20 <i>0.047</i>	0.20 <i>0.008</i>	Mild Steel (S 300 Pb)	Electro-Zinc Yellow
# SHX-TP-0400-07-013-BZ	M4x0.7 (4mm Standard)	8.00 <i>0.315</i>	5.00 <i>0.197</i>	7.00 <i>0.276</i>	3.00 <i>0.118</i>	1.20 <i>0.047</i>	0.20 <i>0.008</i>	Brass	Electro-Silver Finish
# SHX-TP-0400-07-013-S3	M4x0.7 (4mm Standard)	8.00 <i>0.315</i>	5.00 <i>0.197</i>	7.00 <i>0.276</i>	8.00 <i>0.315</i>	-	-	303 Stainless Steel	None
# SHX-TP-0400-07-016-MZ	M4x0.7 (4mm Standard)	8.00 <i>0.315</i>	8.00 <i>0.315</i>	7.00 <i>0.276</i>	5.00 <i>0.197</i>	1.20 <i>0.047</i>	0.20 <i>0.008</i>	Mild Steel (S 300 Pb)	Electro-Zinc Yellow
# SHX-TP-0400-07-016-BZ	M4x0.7 (4mm Standard)	8.00 <i>0.315</i>	8.00 <i>0.315</i>	7.00 <i>0.276</i>	5.00 <i>0.197</i>	1.20 <i>0.047</i>	0.20 <i>0.008</i>	Brass	Electro-Silver Finish
SHX-TP-0400-07-016-S3	M4x0.7 (4mm Standard)	8.00 <i>0.315</i>	8.00 <i>0.315</i>	7.00 <i>0.276</i>	8.00 <i>0.315</i>	-	-	303 Stainless Steel	None

Indicates item not stocked at time of printing - Please enquire for lead time

E&OE Pricing and all details subject to change without notice - Copyright Miniature Bearings Australia Pty Ltd

MBA Size Listings are a guide to sizes only and must not be solely relied on for critical design information.

Pillars - Threaded

Part Number	Thread Size	Stud Length (L3) mm	Base Length (L1) mm	Across Flats (A/F) mm	Bore Thread Length (L2) mm	Unthreaded Length (L4) mm	Radius (R) mm	Material	Finish
		<i>inches</i>	<i>inches</i>	<i>inches</i>	<i>inches</i>	<i>inches</i>	<i>inches</i>		
# SHX-TP-0400-07-018-BZ	M4x0.7 (4mm Standard)	8.00 <i>0.315</i>	10.00 <i>0.394</i>	7.00 <i>0.276</i>	5.00 <i>0.197</i>	1.20 <i>0.047</i>	0.20 <i>0.008</i>	Brass	Electro-Silver Finish
# SHX-TP-0400-07-018-MZ	M4x0.7 (4mm Standard)	8.00 <i>0.315</i>	10.00 <i>0.394</i>	7.00 <i>0.276</i>	5.00 <i>0.197</i>	1.20 <i>0.047</i>	0.20 <i>0.008</i>	Mild Steel (S 300 Pb)	Electro-Zinc Yellow
SHX-TP-0400-07-018-S3	M4x0.7 (4mm Standard)	8.00 <i>0.315</i>	10.00 <i>0.394</i>	7.00 <i>0.276</i>	8.00 <i>0.315</i>	-	-	303 Stainless Steel	None
# SHX-TP-0400-07-020-MZ	M4x0.7 (4mm Standard)	8.00 <i>0.315</i>	12.00 <i>0.472</i>	7.00 <i>0.276</i>	8.00 <i>0.315</i>	1.20 <i>0.047</i>	0.20 <i>0.008</i>	Mild Steel (S 300 Pb)	Electro-Zinc Yellow
# SHX-TP-0400-07-020-S3	M4x0.7 (4mm Standard)	8.00 <i>0.315</i>	12.00 <i>0.472</i>	7.00 <i>0.276</i>	8.00 <i>0.315</i>	-	-	303 Stainless Steel	None
# SHX-TP-0400-07-020-BZ	M4x0.7 (4mm Standard)	8.00 <i>0.315</i>	12.00 <i>0.472</i>	7.00 <i>0.276</i>	8.00 <i>0.315</i>	1.20 <i>0.047</i>	0.20 <i>0.008</i>	Brass	Electro-Silver Finish
# SHX-TP-0400-07-023-MZ	M4x0.7 (4mm Standard)	8.00 <i>0.315</i>	15.00 <i>0.591</i>	7.00 <i>0.276</i>	8.00 <i>0.315</i>	1.20 <i>0.047</i>	0.20 <i>0.008</i>	Mild Steel (S 300 Pb)	Electro-Zinc Yellow
SHX-TP-0400-07-023-S3	M4x0.7 (4mm Standard)	8.00 <i>0.315</i>	15.00 <i>0.591</i>	7.00 <i>0.276</i>	8.00 <i>0.315</i>	-	-	303 Stainless Steel	None

Indicates item not stocked at time of printing - Please enquire for lead time

E&OE Pricing and all details subject to change without notice - Copyright Miniature Bearings Australia Pty Ltd

MBA Size Listings are a guide to sizes only and must not be solely relied on for critical design information.

Pillars - Threaded

Part Number	Thread Size	Stud Length (L3) mm	Base Length (L1) mm	Across Flats (A/F) mm	Bore Thread Length (L2) mm	Unthreaded Length (L4) mm	Radius (R) mm	Material	Finish
		<i>inches</i>	<i>inches</i>	<i>inches</i>	<i>inches</i>	<i>inches</i>	<i>inches</i>		
# SHX-TP-0400-07-023-BZ	M4x0.7 (4mm Standard)	8.00 <i>0.315</i>	15.00 <i>0.591</i>	7.00 <i>0.276</i>	8.00 <i>0.315</i>	1.20 <i>0.047</i>	0.20 <i>0.008</i>	Brass	Electro-Silver Finish
# SHX-TP-0400-07-026-BZ	M4x0.7 (4mm Standard)	8.00 <i>0.315</i>	18.00 <i>0.709</i>	7.00 <i>0.276</i>	8.00 <i>0.315</i>	1.20 <i>0.047</i>	0.20 <i>0.008</i>	Brass	Electro-Silver Finish
# SHX-TP-0400-07-026-MZ	M4x0.7 (4mm Standard)	8.00 <i>0.315</i>	18.00 <i>0.709</i>	7.00 <i>0.276</i>	8.00 <i>0.315</i>	1.20 <i>0.047</i>	0.20 <i>0.008</i>	Mild Steel (S 300 Pb)	Electro-Zinc Yellow
# SHX-TP-0400-07-026-S3	M4x0.7 (4mm Standard)	8.00 <i>0.315</i>	18.00 <i>0.709</i>	7.00 <i>0.276</i>	8.00 <i>0.315</i>	-	-	303 Stainless Steel	None
# SHX-TP-0400-07-028-BZ	M4x0.7 (4mm Standard)	8.00 <i>0.315</i>	20.00 <i>0.787</i>	7.00 <i>0.276</i>	8.00 <i>0.315</i>	1.20 <i>0.047</i>	0.20 <i>0.008</i>	Brass	Electro-Silver Finish
SHX-TP-0400-07-028-MZ	M4x0.7 (4mm Standard)	8.00 <i>0.315</i>	20.00 <i>0.787</i>	7.00 <i>0.276</i>	8.00 <i>0.315</i>	1.20 <i>0.047</i>	0.20 <i>0.008</i>	Mild Steel (S 300 Pb)	Electro-Zinc Yellow
# SHX-TP-0400-07-028-S3	M4x0.7 (4mm Standard)	8.00 <i>0.315</i>	20.00 <i>0.787</i>	7.00 <i>0.276</i>	8.00 <i>0.315</i>	-	-	303 Stainless Steel	None
# SHX-TP-0400-06-016-BZ	M4x0.7 (4mm Standard)	9.53 <i>0.375</i>	6.00 <i>0.236</i>	6.00 <i>0.236</i>	4.00 <i>0.157</i>	-	-	Brass	Chromate Zinc Plated

Indicates item not stocked at time of printing - Please enquire for lead time

E&OE Pricing and all details subject to change without notice - Copyright Miniature Bearings Australia Pty Ltd

MBA Size Listings are a guide to sizes only and must not be solely relied on for critical design information.

Pillars - Threaded

Part Number	Thread Size	Stud Length (L3) mm	Base Length (L1) mm	Across Flats (A/F) mm	Bore Thread Length (L2) mm	Unthreaded Length (L4) mm	Radius (R) mm	Material	Finish
		<i>inches</i>	<i>inches</i>	<i>inches</i>	<i>inches</i>	<i>inches</i>	<i>inches</i>		
# SHX-TP-0400-06-023-BZ	M4x0.7 (4mm Standard)	9.53 <i>0.375</i>	13.00 <i>0.512</i>	6.00 <i>0.236</i>	9.00 <i>0.354</i>	-	-	Brass	Chromate Zinc Plated
# SHX-TP-0400-06-026-BZ	M4x0.7 (4mm Standard)	9.53 <i>0.375</i>	16.00 <i>0.630</i>	6.00 <i>0.236</i>	11.10 <i>0.437</i>	-	-	Brass	Chromate Zinc Plated
# SHX-TP-0400-06-035-BZ	M4x0.7 (4mm Standard)	9.53 <i>0.375</i>	25.00 <i>0.984</i>	6.00 <i>0.236</i>	11.10 <i>0.437</i>	-	-	Brass	Chromate Zinc Plated
# SHX-TP-0400-07-035-MZ	M4x0.7 (4mm Standard)	10.00 <i>0.394</i>	25.00 <i>0.984</i>	7.00 <i>0.276</i>	10.00 <i>0.394</i>	1.20 <i>0.047</i>	0.20 <i>0.008</i>	Mild Steel (S 300 Pb)	Electro-Zinc Yellow
# SHX-TP-0400-07-035-S3	M4x0.7 (4mm Standard)	10.00 <i>0.394</i>	25.00 <i>0.984</i>	7.00 <i>0.276</i>	10.00 <i>0.394</i>	-	-	303 Stainless Steel	None
# SHX-TP-0400-07-035-BZ	M4x0.7 (4mm Standard)	10.00 <i>0.394</i>	25.00 <i>0.984</i>	7.00 <i>0.276</i>	10.00 <i>0.394</i>	1.20 <i>0.047</i>	0.20 <i>0.008</i>	Brass	Electro-Silver Finish
# SHX-TP-0400-07-040-MZ	M4x0.7 (4mm Standard)	10.00 <i>0.394</i>	30.00 <i>1.181</i>	7.00 <i>0.276</i>	10.00 <i>0.394</i>	1.20 <i>0.047</i>	0.20 <i>0.008</i>	Mild Steel (S 300 Pb)	Electro-Zinc Yellow
# SHX-TP-0400-07-040-BZ	M4x0.7 (4mm Standard)	10.00 <i>0.394</i>	30.00 <i>1.181</i>	7.00 <i>0.276</i>	10.00 <i>0.394</i>	1.20 <i>0.047</i>	0.20 <i>0.008</i>	Brass	Electro-Silver Finish

Indicates item not stocked at time of printing - Please enquire for lead time

Page 18 of 27

E&OE Pricing and all details subject to change without notice - Copyright Miniature Bearings Australia Pty Ltd
MBA Size Listings are a guide to sizes only and must not be solely relied on for critical design information.

Pillars - Threaded

Part Number	Thread Size	Stud Length (L3) mm	Base Length (L1) mm	Across Flats (A/F) mm	Bore Thread Length (L2) mm	Unthreaded Length (L4) mm	Radius (R) mm	Material	Finish
		<i>inches</i>	<i>inches</i>	<i>inches</i>	<i>inches</i>	<i>inches</i>	<i>inches</i>		
# SHX-TP-0400-07-045-BZ	M4x0.7 (4mm Standard)	10.00 <i>0.394</i>	35.00 <i>1.378</i>	7.00 <i>0.276</i>	10.00 <i>0.394</i>	1.20 <i>0.047</i>	0.20 <i>0.008</i>	Brass	Electro-Silver Finish
# SHX-TP-0400-07-045-MZ	M4x0.7 (4mm Standard)	10.00 <i>0.394</i>	35.00 <i>1.378</i>	7.00 <i>0.276</i>	10.00 <i>0.394</i>	1.20 <i>0.047</i>	0.20 <i>0.008</i>	Mild Steel (S 300 Pb)	Electro-Zinc Yellow
SHX-TP-0400-07-050-BZ	M4x0.7 (4mm Standard)	10.00 <i>0.394</i>	40.00 <i>1.575</i>	7.00 <i>0.276</i>	10.00 <i>0.394</i>	1.20 <i>0.047</i>	0.20 <i>0.008</i>	Brass	Electro-Silver Finish
# SHX-TP-0400-07-050-MZ	M4x0.7 (4mm Standard)	10.00 <i>0.394</i>	40.00 <i>1.575</i>	7.00 <i>0.276</i>	10.00 <i>0.394</i>	1.20 <i>0.047</i>	0.20 <i>0.008</i>	Mild Steel (S 300 Pb)	Electro-Zinc Yellow
# SHX-TP-0400-07-055-BZ	M4x0.7 (4mm Standard)	10.00 <i>0.394</i>	45.00 <i>1.772</i>	7.00 <i>0.276</i>	10.00 <i>0.394</i>	1.20 <i>0.047</i>	0.20 <i>0.008</i>	Brass	Electro-Silver Finish
# SHX-TP-0400-07-055-MZ	M4x0.7 (4mm Standard)	10.00 <i>0.394</i>	45.00 <i>1.772</i>	7.00 <i>0.276</i>	10.00 <i>0.394</i>	1.20 <i>0.047</i>	0.20 <i>0.008</i>	Mild Steel (S 300 Pb)	Electro-Zinc Yellow
# SHX-TP-0400-07-060-BZ	M4x0.7 (4mm Standard)	10.00 <i>0.394</i>	50.00 <i>1.969</i>	7.00 <i>0.276</i>	10.00 <i>0.394</i>	1.20 <i>0.047</i>	0.20 <i>0.008</i>	Brass	Electro-Silver Finish
# SHX-TP-0400-07-060-MZ	M4x0.7 (4mm Standard)	10.00 <i>0.394</i>	50.00 <i>1.969</i>	7.00 <i>0.276</i>	10.00 <i>0.394</i>	1.20 <i>0.047</i>	0.20 <i>0.008</i>	Mild Steel (S 300 Pb)	Electro-Zinc Yellow

Indicates item not stocked at time of printing - Please enquire for lead time

Page 19 of 27

E&OE Pricing and all details subject to change without notice - Copyright Miniature Bearings Australia Pty Ltd
MBA Size Listings are a guide to sizes only and must not be solely relied on for critical design information.

Pillars - Threaded

Part Number	Thread Size	Stud Length (L3) mm	Base Length (L1) mm	Across Flats (A/F) mm	Bore Thread Length (L2) mm	Unthreaded Length (L4) mm	Radius (R) mm	Material	Finish
		<i>inches</i>	<i>inches</i>	<i>inches</i>	<i>inches</i>	<i>inches</i>	<i>inches</i>		
# SHX-TP-0400-07-065-BZ	M4x0.7 (4mm Standard)	10.00 <i>0.394</i>	55.00 <i>2.165</i>	7.00 <i>0.276</i>	10.00 <i>0.394</i>	1.20 <i>0.047</i>	0.20 <i>0.008</i>	Brass	Electro-Silver Finish
# SHX-TP-0400-07-065-MZ	M4x0.7 (4mm Standard)	10.00 <i>0.394</i>	55.00 <i>2.165</i>	7.00 <i>0.276</i>	10.00 <i>0.394</i>	1.20 <i>0.047</i>	0.20 <i>0.008</i>	Mild Steel (S 300 Pb)	Electro-Zinc Yellow
# SHX-TP-0400-07-070-MZ	M4x0.7 (4mm Standard)	10.00 <i>0.394</i>	60.00 <i>2.362</i>	7.00 <i>0.276</i>	10.00 <i>0.394</i>	1.20 <i>0.047</i>	0.20 <i>0.008</i>	Mild Steel (S 300 Pb)	Electro-Zinc Yellow
# SHX-TP-0400-07-070-BZ	M4x0.7 (4mm Standard)	10.00 <i>0.394</i>	60.00 <i>2.362</i>	7.00 <i>0.276</i>	10.00 <i>0.394</i>	1.20 <i>0.047</i>	0.20 <i>0.008</i>	Brass	Electro-Silver Finish
# SHX-TP-0400-07-080-BZ	M4x0.7 (4mm Standard)	10.00 <i>0.394</i>	70.00 <i>2.756</i>	7.00 <i>0.276</i>	10.00 <i>0.394</i>	1.20 <i>0.047</i>	0.20 <i>0.008</i>	Brass	Electro-Silver Finish
# SHX-TP-0400-07-080-MZ	M4x0.7 (4mm Standard)	10.00 <i>0.394</i>	70.00 <i>2.756</i>	7.00 <i>0.276</i>	10.00 <i>0.394</i>	1.20 <i>0.047</i>	0.20 <i>0.008</i>	Mild Steel (S 300 Pb)	Electro-Zinc Yellow
# SHX-TP-0400-07-090-BZ	M4x0.7 (4mm Standard)	10.00 <i>0.394</i>	80.00 <i>3.150</i>	7.00 <i>0.276</i>	10.00 <i>0.394</i>	1.20 <i>0.047</i>	0.20 <i>0.008</i>	Brass	Electro-Silver Finish
SHX-TP-0400-07-090-MZ	M4x0.7 (4mm Standard)	10.00 <i>0.394</i>	80.00 <i>3.150</i>	7.00 <i>0.276</i>	10.00 <i>0.394</i>	1.20 <i>0.047</i>	0.20 <i>0.008</i>	Mild Steel (S 300 Pb)	Electro-Zinc Yellow

Indicates item not stocked at time of printing - Please enquire for lead time

Page 20 of 27

E&OE Pricing and all details subject to change without notice - Copyright Miniature Bearings Australia Pty Ltd
MBA Size Listings are a guide to sizes only and must not be solely relied on for critical design information.

Pillars - Threaded

Part Number	Thread Size	Stud Length (L3) mm	Base Length (L1) mm	Across Flats (A/F) mm	Bore Thread Length (L2) mm	Unthreaded Length (L4) mm	Radius (R) mm	Material	Finish
		<i>inches</i>	<i>inches</i>	<i>inches</i>	<i>inches</i>	<i>inches</i>	<i>inches</i>		
# SHX-TP-0417C-06-022-A	8-32 UNC (4.166mm)	9.53 <i>0.375</i>	12.70 <i>0.500</i>	6.35 <i>0.250</i>	11.11 <i>0.437</i>	-	-	Aluminum	Plain
# SHX-TP-0417C-06-029-BZ	8-32 UNC (4.166mm)	9.53 <i>0.375</i>	19.05 <i>0.750</i>	6.35 <i>0.250</i>	11.11 <i>0.437</i>	-	-	Brass	Electro-Zinc Yellow
# SHX-TP-0417C-06-035-A	8-32 UNC (4.166mm)	9.53 <i>0.375</i>	25.40 <i>1.000</i>	6.35 <i>0.250</i>	11.11 <i>0.437</i>	-	-	Aluminum	Plain
# SHX-TP-0417C-06-035-S3	8-32 UNC (4.166mm)	9.53 <i>0.375</i>	25.40 <i>1.000</i>	6.35 <i>0.250</i>	11.11 <i>0.437</i>	-	-	Stainless Steel	-
# SHX-TP-0417C-06-041-S3	8-32 UNC (4.166mm)	9.53 <i>0.375</i>	31.75 <i>1.250</i>	6.35 <i>0.250</i>	11.11 <i>0.437</i>	-	-	Stainless Steel	-
# SHX-TP-0417C-06-041-A	8-32 UNC (4.166mm)	9.53 <i>0.375</i>	31.75 <i>1.250</i>	6.35 <i>0.250</i>	6.35 <i>0.250</i>	-	-	Aluminum	Plain
# SHX-TP-0500-08-013-MZ	M5x0.8 (5mm Standard)	8.00 <i>0.315</i>	5.00 <i>0.197</i>	8.00 <i>0.315</i>	3.00 <i>0.118</i>	1.40 <i>0.055</i>	0.20 <i>0.008</i>	Mild Steel (S 300 Pb)	Electro-Zinc Yellow
# SHX-TP-0500-08-013-BZ	M5x0.8 (5mm Standard)	8.00 <i>0.315</i>	5.00 <i>0.197</i>	8.00 <i>0.315</i>	3.00 <i>0.118</i>	1.40 <i>0.055</i>	0.20 <i>0.008</i>	Brass	Electro-Silver Finish

Indicates item not stocked at time of printing - Please enquire for lead time

Page 21 of 27

E&OE Pricing and all details subject to change without notice - Copyright Miniature Bearings Australia Pty Ltd
MBA Size Listings are a guide to sizes only and must not be solely relied on for critical design information.

Pillars - Threaded

Part Number	Thread Size	Stud Length (L3) mm	Base Length (L1) mm	Across Flats (A/F) mm	Bore Thread Length (L2) mm	Unthreaded Length (L4) mm	Radius (R) mm	Material	Finish
		<i>inches</i>	<i>inches</i>	<i>inches</i>	<i>inches</i>	<i>inches</i>	<i>inches</i>		
SHX-TP-0500-08-016-BZ	M5x0.8 (5mm Standard)	8.00 <i>0.315</i>	8.00 <i>0.315</i>	8.00 <i>0.315</i>	5.00 <i>0.197</i>	1.40 <i>0.055</i>	0.20 <i>0.008</i>	Brass	Electro-Silver Finish
# SHX-TP-0500-08-016-MZ	M5x0.8 (5mm Standard)	8.00 <i>0.315</i>	8.00 <i>0.315</i>	8.00 <i>0.315</i>	5.00 <i>0.197</i>	1.40 <i>0.055</i>	0.20 <i>0.008</i>	Mild Steel (S 300 Pb)	Electro-Zinc Yellow
# SHX-TP-0500-08-018-BZ	M5x0.8 (5mm Standard)	8.00 <i>0.315</i>	10.00 <i>0.394</i>	8.00 <i>0.315</i>	5.00 <i>0.197</i>	1.40 <i>0.055</i>	0.20 <i>0.008</i>	Brass	Electro-Silver Finish
# SHX-TP-0500-08-018-MZ	M5x0.8 (5mm Standard)	8.00 <i>0.315</i>	10.00 <i>0.394</i>	8.00 <i>0.315</i>	5.00 <i>0.197</i>	1.40 <i>0.055</i>	0.20 <i>0.008</i>	Mild Steel (S 300 Pb)	Electro-Zinc Yellow
# SHX-TP-0500-08-020-BZ	M5x0.8 (5mm Standard)	8.00 <i>0.315</i>	12.00 <i>0.472</i>	8.00 <i>0.315</i>	8.00 <i>0.315</i>	1.40 <i>0.055</i>	0.20 <i>0.008</i>	Brass	Electro-Silver Finish
# SHX-TP-0500-08-020-MZ	M5x0.8 (5mm Standard)	8.00 <i>0.315</i>	12.00 <i>0.472</i>	8.00 <i>0.315</i>	8.00 <i>0.315</i>	1.40 <i>0.055</i>	0.20 <i>0.008</i>	Mild Steel (S 300 Pb)	Electro-Zinc Yellow
# SHX-TP-0500-08-023-BZ	M5x0.8 (5mm Standard)	8.00 <i>0.315</i>	15.00 <i>0.591</i>	8.00 <i>0.315</i>	8.00 <i>0.315</i>	1.40 <i>0.055</i>	0.20 <i>0.008</i>	Brass	Electro-Silver Finish
# SHX-TP-0500-08-023-MZ	M5x0.8 (5mm Standard)	8.00 <i>0.315</i>	15.00 <i>0.591</i>	8.00 <i>0.315</i>	8.00 <i>0.315</i>	1.40 <i>0.055</i>	0.20 <i>0.008</i>	Mild Steel (S 300 Pb)	Electro-Zinc Yellow

Indicates item not stocked at time of printing - Please enquire for lead time

Page 22 of 27

E&OE Pricing and all details subject to change without notice - Copyright Miniature Bearings Australia Pty Ltd
MBA Size Listings are a guide to sizes only and must not be solely relied on for critical design information.

Pillars - Threaded

Part Number	Thread Size	Stud Length (L3) mm	Base Length (L1) mm	Across Flats (A/F) mm	Bore Thread Length (L2) mm	Unthreaded Length (L4) mm	Radius (R) mm	Material	Finish
		<i>inches</i>	<i>inches</i>	<i>inches</i>	<i>inches</i>	<i>inches</i>	<i>inches</i>		
# SHX-TP-0500-08-026-MZ	M5x0.8 (5mm Standard)	8.00 <i>0.315</i>	18.00 <i>0.709</i>	8.00 <i>0.315</i>	8.00 <i>0.315</i>	1.40 <i>0.055</i>	0.20 <i>0.008</i>	Mild Steel (S 300 Pb)	Electro-Zinc Yellow
# SHX-TP-0500-08-026-BZ	M5x0.8 (5mm Standard)	8.00 <i>0.315</i>	18.00 <i>0.709</i>	8.00 <i>0.315</i>	8.00 <i>0.315</i>	1.40 <i>0.055</i>	0.20 <i>0.008</i>	Brass	Electro-Silver Finish
# SHX-TP-0500-08-028-BZ	M5x0.8 (5mm Standard)	8.00 <i>0.315</i>	20.00 <i>0.787</i>	8.00 <i>0.315</i>	8.00 <i>0.315</i>	1.40 <i>0.055</i>	0.20 <i>0.008</i>	Brass	Electro-Silver Finish
# SHX-TP-0500-08-028-MZ	M5x0.8 (5mm Standard)	8.00 <i>0.315</i>	20.00 <i>0.787</i>	8.00 <i>0.315</i>	8.00 <i>0.315</i>	1.40 <i>0.055</i>	0.20 <i>0.008</i>	Mild Steel (S 300 Pb)	Electro-Zinc Yellow
# SHX-TP-0500-08-035-BZ	M5x0.8 (5mm Standard)	10.00 <i>0.394</i>	25.00 <i>0.984</i>	8.00 <i>0.315</i>	10.00 <i>0.394</i>	1.40 <i>0.055</i>	0.20 <i>0.008</i>	Brass	Electro-Silver Finish
# SHX-TP-0500-08-035-MZ	M5x0.8 (5mm Standard)	10.00 <i>0.394</i>	25.00 <i>0.984</i>	8.00 <i>0.315</i>	10.00 <i>0.394</i>	1.40 <i>0.055</i>	0.20 <i>0.008</i>	Mild Steel (S 300 Pb)	Electro-Zinc Yellow
# SHX-TP-0500-08-040-BZ	M5x0.8 (5mm Standard)	10.00 <i>0.394</i>	30.00 <i>1.181</i>	8.00 <i>0.315</i>	10.00 <i>0.394</i>	1.40 <i>0.055</i>	0.20 <i>0.008</i>	Brass	Electro-Silver Finish
SHX-TP-0500-08-040-MZ	M5x0.8 (5mm Standard)	10.00 <i>0.394</i>	30.00 <i>1.181</i>	8.00 <i>0.315</i>	10.00 <i>0.394</i>	1.40 <i>0.055</i>	0.20 <i>0.008</i>	Mild Steel (S 300 Pb)	Electro-Zinc Yellow

Indicates item not stocked at time of printing - Please enquire for lead time

Page 23 of 27

E&OE Pricing and all details subject to change without notice - Copyright Miniature Bearings Australia Pty Ltd
MBA Size Listings are a guide to sizes only and must not be solely relied on for critical design information.

Pillars - Threaded

Part Number	Thread Size	Stud Length (L3) mm	Base Length (L1) mm	Across Flats (A/F) mm	Bore Thread Length (L2) mm	Unthreaded Length (L4) mm	Radius (R) mm	Material	Finish
		<i>inches</i>	<i>inches</i>	<i>inches</i>	<i>inches</i>	<i>inches</i>	<i>inches</i>		
# SHX-TP-0500-08-045-BZ	M5x0.8 (5mm Standard)	10.00 <i>0.394</i>	35.00 <i>1.378</i>	8.00 <i>0.315</i>	10.00 <i>0.394</i>	1.40 <i>0.055</i>	0.20 <i>0.008</i>	Brass	Electro-Silver Finish
SHX-TP-0500-08-045-MZ	M5x0.8 (5mm Standard)	10.00 <i>0.394</i>	35.00 <i>1.378</i>	8.00 <i>0.315</i>	10.00 <i>0.394</i>	1.40 <i>0.055</i>	0.20 <i>0.008</i>	Mild Steel (S 300 Pb)	Electro-Zinc Yellow
# SHX-TP-0500-08-050-BZ	M5x0.8 (5mm Standard)	10.00 <i>0.394</i>	40.00 <i>1.575</i>	8.00 <i>0.315</i>	10.00 <i>0.394</i>	1.40 <i>0.055</i>	0.20 <i>0.008</i>	Brass	Electro-Silver Finish
SHX-TP-0500-08-050-MZ	M5x0.8 (5mm Standard)	10.00 <i>0.394</i>	40.00 <i>1.575</i>	8.00 <i>0.315</i>	10.00 <i>0.394</i>	1.40 <i>0.055</i>	0.20 <i>0.008</i>	Mild Steel (S 300 Pb)	Electro-Zinc Yellow
# SHX-TP-0500-08-055-MZ	M5x0.8 (5mm Standard)	10.00 <i>0.394</i>	45.00 <i>1.772</i>	8.00 <i>0.315</i>	10.00 <i>0.394</i>	1.40 <i>0.055</i>	0.20 <i>0.008</i>	Mild Steel (S 300 Pb)	Electro-Zinc Yellow
# SHX-TP-0500-08-055-BZ	M5x0.8 (5mm Standard)	10.00 <i>0.394</i>	45.00 <i>1.772</i>	8.00 <i>0.315</i>	10.00 <i>0.394</i>	1.40 <i>0.055</i>	0.20 <i>0.008</i>	Brass	Electro-Silver Finish
SHX-TP-0500-08-060-MZ	M5x0.8 (5mm Standard)	10.00 <i>0.394</i>	50.00 <i>1.969</i>	8.00 <i>0.315</i>	10.00 <i>0.394</i>	1.40 <i>0.055</i>	0.20 <i>0.008</i>	Mild Steel (S 300 Pb)	Electro-Zinc Yellow
SHX-TP-0500-08-060-BZ	M5x0.8 (5mm Standard)	10.00 <i>0.394</i>	50.00 <i>1.969</i>	8.00 <i>0.315</i>	10.00 <i>0.394</i>	1.40 <i>0.055</i>	0.20 <i>0.008</i>	Brass	Electro-Silver Finish

Indicates item not stocked at time of printing - Please enquire for lead time

Page 24 of 27

E&OE Pricing and all details subject to change without notice - Copyright Miniature Bearings Australia Pty Ltd
MBA Size Listings are a guide to sizes only and must not be solely relied on for critical design information.

Pillars - Threaded

Part Number	Thread Size	Stud Length (L3) mm	Base Length (L1) mm	Across Flats (A/F) mm	Bore Thread Length (L2) mm	Unthreaded Length (L4) mm	Radius (R) mm	Material	Finish
		<i>inches</i>	<i>inches</i>	<i>inches</i>	<i>inches</i>	<i>inches</i>	<i>inches</i>		
# SHX-TP-0500-08-065-BZ	M5x0.8 (5mm Standard)	10.00 <i>0.394</i>	55.00 <i>2.165</i>	8.00 <i>0.315</i>	10.00 <i>0.394</i>	1.40 <i>0.055</i>	0.20 <i>0.008</i>	Brass	Electro-Silver Finish
# SHX-TP-0500-08-065-MZ	M5x0.8 (5mm Standard)	10.00 <i>0.394</i>	55.00 <i>2.165</i>	8.00 <i>0.315</i>	10.00 <i>0.394</i>	1.40 <i>0.055</i>	0.20 <i>0.008</i>	Mild Steel (S 300 Pb)	Electro-Zinc Yellow
# SHX-TP-0500-08-070-BZ	M5x0.8 (5mm Standard)	10.00 <i>0.394</i>	60.00 <i>2.362</i>	8.00 <i>0.315</i>	10.00 <i>0.394</i>	1.40 <i>0.055</i>	0.20 <i>0.008</i>	Brass	Electro-Silver Finish
# SHX-TP-0500-08-070-MZ	M5x0.8 (5mm Standard)	10.00 <i>0.394</i>	60.00 <i>2.362</i>	8.00 <i>0.315</i>	10.00 <i>0.394</i>	1.40 <i>0.055</i>	0.20 <i>0.008</i>	Mild Steel (S 300 Pb)	Electro-Zinc Yellow
# SHX-TP-0500-08-080-BZ	M5x0.8 (5mm Standard)	10.00 <i>0.394</i>	70.00 <i>2.756</i>	8.00 <i>0.315</i>	10.00 <i>0.394</i>	1.40 <i>0.055</i>	0.20 <i>0.008</i>	Brass	Electro-Silver Finish
SHX-TP-0500-08-080-MZ	M5x0.8 (5mm Standard)	10.00 <i>0.394</i>	70.00 <i>2.756</i>	8.00 <i>0.315</i>	10.00 <i>0.394</i>	1.40 <i>0.055</i>	0.20 <i>0.008</i>	Mild Steel (S 300 Pb)	Electro-Zinc Yellow
# SHX-TP-0500-08-090-BZ	M5x0.8 (5mm Standard)	10.00 <i>0.394</i>	80.00 <i>3.150</i>	8.00 <i>0.315</i>	10.00 <i>0.394</i>	1.40 <i>0.055</i>	0.20 <i>0.008</i>	Brass	Electro-Silver Finish
# SHX-TP-0500-08-090-MZ	M5x0.8 (5mm Standard)	10.00 <i>0.394</i>	80.00 <i>3.150</i>	8.00 <i>0.315</i>	10.00 <i>0.394</i>	1.40 <i>0.055</i>	0.20 <i>0.008</i>	Mild Steel (S 300 Pb)	Electro-Zinc Yellow

Indicates item not stocked at time of printing - Please enquire for lead time

Page 25 of 27

E&OE Pricing and all details subject to change without notice - Copyright Miniature Bearings Australia Pty Ltd
MBA Size Listings are a guide to sizes only and must not be solely relied on for critical design information.

Pillars - Threaded

Part Number	Thread Size	Stud Length (L3) mm	Base Length (L1) mm	Across Flats (A/F) mm	Bore Thread Length (L2) mm	Unthreaded Length (L4) mm	Radius (R) mm	Material	Finish
		<i>inches</i>	<i>inches</i>	<i>inches</i>	<i>inches</i>	<i>inches</i>	<i>inches</i>		
# SHX-TP-0600-10-018-MZ	M6x1 (6mm Standard)	8.00 <i>0.315</i>	10.00 <i>0.394</i>	10.00 <i>0.394</i>	5.00 <i>0.197</i>	2.10 <i>0.083</i>	0.25 <i>0.010</i>	Mild Steel (S 300 Pb)	Electro-Zinc Yellow
# SHX-TP-0600-10-020-MZ	M6x1 (6mm Standard)	8.00 <i>0.315</i>	12.00 <i>0.472</i>	10.00 <i>0.394</i>	8.00 <i>0.315</i>	2.10 <i>0.083</i>	0.25 <i>0.010</i>	Mild Steel (S 300 Pb)	Electro-Zinc Yellow
# SHX-TP-0600-10-023-MZ	M6x1 (6mm Standard)	8.00 <i>0.315</i>	15.00 <i>0.591</i>	10.00 <i>0.394</i>	8.00 <i>0.315</i>	2.10 <i>0.083</i>	0.25 <i>0.010</i>	Mild Steel (S 300 Pb)	Electro-Zinc Yellow
# SHX-TP-0600-10-026-MZ	M6x1 (6mm Standard)	8.00 <i>0.315</i>	18.00 <i>0.709</i>	10.00 <i>0.394</i>	8.00 <i>0.315</i>	2.10 <i>0.083</i>	0.25 <i>0.010</i>	Mild Steel (S 300 Pb)	Electro-Zinc Yellow
# SHX-TP-0600-10-028-MZ	M6x1 (6mm Standard)	8.00 <i>0.315</i>	20.00 <i>0.787</i>	10.00 <i>0.394</i>	8.00 <i>0.315</i>	2.10 <i>0.083</i>	0.25 <i>0.010</i>	Mild Steel (S 300 Pb)	Electro-Zinc Yellow
# SHX-TP-0600-10-035-MZ	M6x1 (6mm Standard)	10.00 <i>0.394</i>	25.00 <i>0.984</i>	10.00 <i>0.394</i>	10.00 <i>0.394</i>	2.10 <i>0.083</i>	0.25 <i>0.010</i>	Mild Steel (S 300 Pb)	Electro-Zinc Yellow
# SHX-TP-0600-10-040-MZ	M6x1 (6mm Standard)	10.00 <i>0.394</i>	30.00 <i>1.181</i>	10.00 <i>0.394</i>	10.00 <i>0.394</i>	2.10 <i>0.083</i>	0.25 <i>0.010</i>	Mild Steel (S 300 Pb)	Electro-Zinc Yellow
# SHX-TP-0600-10-045-MZ	M6x1 (6mm Standard)	10.00 <i>0.394</i>	35.00 <i>1.378</i>	10.00 <i>0.394</i>	10.00 <i>0.394</i>	2.10 <i>0.083</i>	0.25 <i>0.010</i>	Mild Steel (S 300 Pb)	Electro-Zinc Yellow

Indicates item not stocked at time of printing - Please enquire for lead time

Page 26 of 27

E&OE Pricing and all details subject to change without notice - Copyright Miniature Bearings Australia Pty Ltd
MBA Size Listings are a guide to sizes only and must not be solely relied on for critical design information.

Pillars - Threaded

Part Number	Thread Size	Stud Length (L3) mm	Base Length (L1) mm	Across Flats (A/F) mm	Bore Thread Length (L2) mm	Unthreaded Length (L4) mm	Radius (R) mm	Material	Finish
		<i>inches</i>	<i>inches</i>	<i>inches</i>	<i>inches</i>	<i>inches</i>	<i>inches</i>		
# SHX-TP-0600-10-050-MZ	M6x1 (6mm Standard)	10.00 <i>0.394</i>	40.00 <i>1.575</i>	10.00 <i>0.394</i>	10.00 <i>0.394</i>	2.10 <i>0.083</i>	0.25 <i>0.010</i>	Mild Steel (S 300 Pb)	Electro-Zinc Yellow
# SHX-TP-0600-10-055-MZ	M6x1 (6mm Standard)	10.00 <i>0.394</i>	45.00 <i>1.772</i>	10.00 <i>0.394</i>	10.00 <i>0.394</i>	2.10 <i>0.083</i>	0.25 <i>0.010</i>	Mild Steel (S 300 Pb)	Electro-Zinc Yellow
SHX-TP-0600-10-060-MZ	M6x1 (6mm Standard)	10.00 <i>0.394</i>	50.00 <i>1.969</i>	10.00 <i>0.394</i>	10.00 <i>0.394</i>	2.10 <i>0.083</i>	0.25 <i>0.010</i>	Mild Steel (S 300 Pb)	Electro-Zinc Yellow
# SHX-TP-0600-10-065-MZ	M6x1 (6mm Standard)	10.00 <i>0.394</i>	55.00 <i>2.165</i>	10.00 <i>0.394</i>	10.00 <i>0.394</i>	2.10 <i>0.083</i>	0.25 <i>0.010</i>	Mild Steel (S 300 Pb)	Electro-Zinc Yellow
# SHX-TP-0600-10-070-MZ	M6x1 (6mm Standard)	10.00 <i>0.394</i>	60.00 <i>2.362</i>	10.00 <i>0.394</i>	10.00 <i>0.394</i>	2.10 <i>0.083</i>	0.25 <i>0.010</i>	Mild Steel (S 300 Pb)	Electro-Zinc Yellow
SHX-TP-0600-10-080-MZ	M6x1 (6mm Standard)	10.00 <i>0.394</i>	70.00 <i>2.756</i>	10.00 <i>0.394</i>	10.00 <i>0.394</i>	2.10 <i>0.083</i>	0.25 <i>0.010</i>	Mild Steel (S 300 Pb)	Electro-Zinc Yellow
# SHX-TP-0600-10-090-MZ	M6x1 (6mm Standard)	10.00 <i>0.394</i>	80.00 <i>3.150</i>	10.00 <i>0.394</i>	10.00 <i>0.394</i>	2.10 <i>0.083</i>	0.25 <i>0.010</i>	Mild Steel (S 300 Pb)	Electro-Zinc Yellow

Indicates item not stocked at time of printing - Please enquire for lead time

Page 27 of 27

E&OE Pricing and all details subject to change without notice - Copyright Miniature Bearings Australia Pty Ltd
MBA Size Listings are a guide to sizes only and must not be solely relied on for critical design information.

DISTRIBUTED BY

Distributed By:

