



# **Pins - Ball Lock - T-Handle - Industrial - Steel and Aluminium**

10/4/2018

# Indicates item not stocked at time of printing - Please enquire for lead time

E&OE Pricing and all details subject to change without notice - Copyright Miniature Bearings Australia Pty Ltd

MBA Size Listings are a guide to sizes only and must not be solely relied on for critical design information.

Page 1 of 15

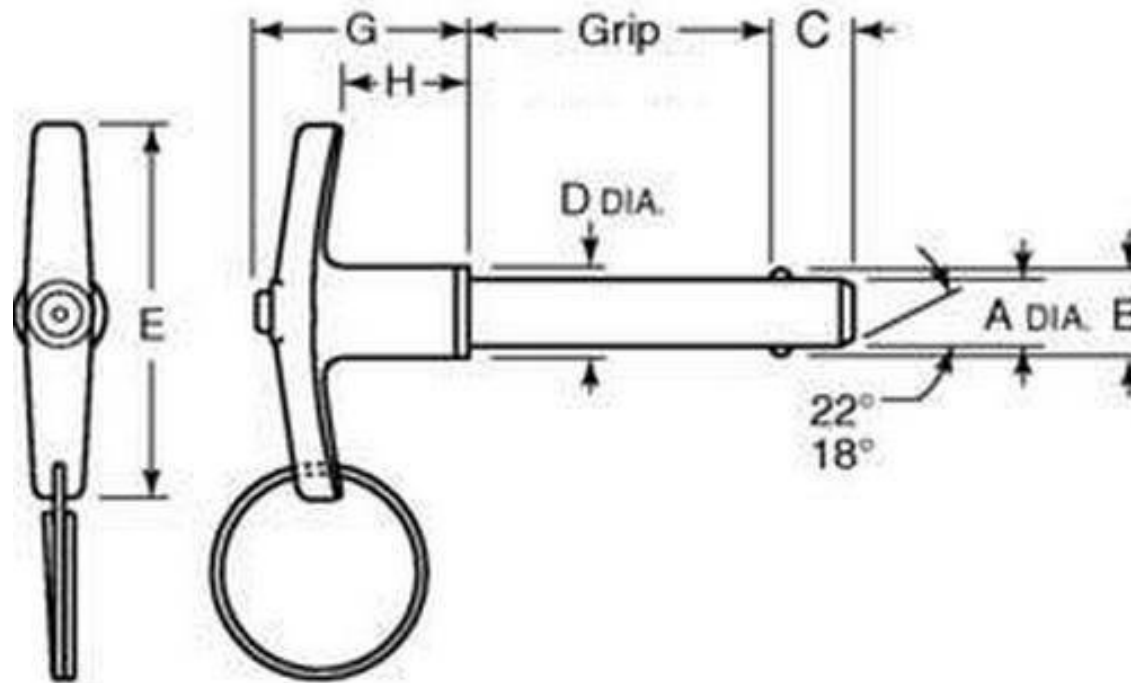
## INFORMATION

Quick release. Heat treated carbon and alloy steel. Aluminium handle. 440C stainless ball. 300 Grade stainless ring. Tee handle. Also called detent pins.

# Indicates item not stocked at time of printing - Please enquire for lead time

E&OE Pricing and all details subject to change without notice - Copyright Miniature Bearings Australia Pty Ltd

MBA Size Listings are a guide to sizes only and must not be solely relied on for critical design information.



# Indicates item not stocked at time of printing - Please enquire for lead time

E&OE Pricing and all details subject to change without notice - Copyright Miniature Bearings Australia Pty Ltd

MBA Size Listings are a guide to sizes only and must not be solely relied on for critical design information.

## Pins - Ball Lock - T-Handle - Industrial - Steel and Aluminium

Part Number	Nominal Diameter mm <i>inches</i>	Grip Length mm <i>inches</i>	Locking Ball to End (C) mm <i>inches</i>	Extended Ball Distance (B) mm <i>inches</i>	Shank Diameter (D) mm <i>inches</i>	Handle Width (E) mm <i>inches</i>	Handle Height (G) mm <i>inches</i>	Handle Shank Length (H)
# BLP-048-0127-TI-AC	4.76 <i>0.187</i>	12.70 <i>0.500</i>	6.60 <i>0.260</i>	5.58 <i>0.220</i>		46.10 <i>1.815</i>	32.25 <i>1.270</i>	-
# BLP-048-0254-TI-AC	4.76 <i>0.187</i>	25.40 <i>1.000</i>	6.60 <i>0.260</i>	5.58 <i>0.220</i>		46.10 <i>1.815</i>	32.25 <i>1.270</i>	-
# BLP-048-0381-TI-AC	4.76 <i>0.187</i>	38.10 <i>1.500</i>	6.60 <i>0.260</i>	5.58 <i>0.220</i>		46.10 <i>1.815</i>	32.25 <i>1.270</i>	-
# BLP-048-0508-TI-AC	4.76 <i>0.187</i>	50.80 <i>2.000</i>	6.60 <i>0.260</i>	5.58 <i>0.220</i>		46.10 <i>1.815</i>	32.25 <i>1.270</i>	-
# BLP-048-0635-TI-AC	4.76 <i>0.187</i>	63.50 <i>2.500</i>	6.60 <i>0.260</i>	5.58 <i>0.220</i>		46.10 <i>1.815</i>	32.25 <i>1.270</i>	-
# BLP-048-0762-TI-AC	4.76 <i>0.187</i>	76.20 <i>3.000</i>	6.60 <i>0.260</i>	5.58 <i>0.220</i>		46.10 <i>1.815</i>	32.25 <i>1.270</i>	-
# BLP-048-1016-TI-AC	4.76 <i>0.187</i>	101.60 <i>4.000</i>	6.60 <i>0.260</i>	5.58 <i>0.220</i>		46.10 <i>1.815</i>	32.25 <i>1.270</i>	-
# BLP-050-0250-TI-AC	5.00 <i>0.197</i>	25.00 <i>0.984</i>	6.00 <i>0.236</i>	5.54 <i>0.218</i>	13.00 <i>0.512</i>	46.00 <i>1.811</i>	32.00 <i>1.260</i>	18
# BLP-060-0150-TI-AC	6.00 <i>0.236</i>	15.00 <i>0.591</i>	7.00 <i>0.276</i>	6.99 <i>0.275</i>	13.00 <i>0.512</i>	46.00 <i>1.811</i>	32.00 <i>1.260</i>	18
# BLP-060-0200-TI-AC	6.00 <i>0.236</i>	20.00 <i>0.787</i>	7.00 <i>0.276</i>	6.99 <i>0.275</i>	13.00 <i>0.512</i>	46.00 <i>1.811</i>	32.00 <i>1.260</i>	18

# Indicates item not stocked at time of printing - Please enquire for lead time

Page 4 of 15

E&OE Pricing and all details subject to change without notice - Copyright Miniature Bearings Australia Pty Ltd  
MBA Size Listings are a guide to sizes only and must not be solely relied on for critical design information.

## Pins - Ball Lock - T-Handle - Industrial - Steel and Aluminium

Part Number	Nominal Diameter mm	Grip Length mm	Locking Ball to End (C) mm	Extended Ball Distance (B) mm	Shank Diameter (D) mm	Handle Width (E) mm	Handle Height (G) mm	Handle Shank Length (H)
	<i>inches</i>	<i>inches</i>	<i>inches</i>	<i>inches</i>	<i>inches</i>	<i>inches</i>	<i>inches</i>	
# BLP-060-0250-TI-AC	6.00 <i>0.236</i>	25.00 <i>0.984</i>	7.00 <i>0.276</i>	6.99 <i>0.275</i>	13.00 <i>0.512</i>	46.00 <i>1.811</i>	32.00 <i>1.260</i>	18
# BLP-060-0300-TI-AC	6.00 <i>0.236</i>	30.00 <i>1.181</i>	7.00 <i>0.276</i>	6.99 <i>0.275</i>	13.00 <i>0.512</i>	46.00 <i>1.811</i>	32.00 <i>1.260</i>	18
# BLP-060-0400-TI-AC	6.00 <i>0.236</i>	40.00 <i>1.575</i>	7.00 <i>0.276</i>	6.99 <i>0.275</i>	13.00 <i>0.512</i>	46.00 <i>1.811</i>	32.00 <i>1.260</i>	18
# BLP-060-0500-TI-AC	6.00 <i>0.236</i>	50.00 <i>1.969</i>	7.00 <i>0.276</i>	6.99 <i>0.275</i>	13.00 <i>0.512</i>	46.00 <i>1.811</i>	32.00 <i>1.260</i>	18
# BLP-060-1000-TI-AC	6.00 <i>0.236</i>	100.00 <i>3.937</i>	7.00 <i>0.276</i>	6.99 <i>0.275</i>	13.00 <i>0.512</i>	46.00 <i>1.811</i>	32.00 <i>1.260</i>	18
# BLP-064-0127-TI-AC	6.35 <i>0.250</i>	12.70 <i>0.500</i>	7.36 <i>0.290</i>	7.34 <i>0.289</i>		46.10 <i>1.815</i>	32.25 <i>1.270</i>	-
# BLP-064-0254-TI-AC	6.35 <i>0.250</i>	25.40 <i>1.000</i>	7.36 <i>0.290</i>	7.34 <i>0.289</i>		46.10 <i>1.815</i>	32.25 <i>1.270</i>	-
# BLP-064-0381-TI-AC	6.35 <i>0.250</i>	38.10 <i>1.500</i>	7.36 <i>0.290</i>	7.34 <i>0.289</i>		46.10 <i>1.815</i>	32.25 <i>1.270</i>	-
# BLP-064-0508-TI-AC	6.35 <i>0.250</i>	50.80 <i>2.000</i>	7.36 <i>0.290</i>	7.34 <i>0.289</i>		46.10 <i>1.815</i>	32.25 <i>1.270</i>	-
# BLP-064-0635-TI-AC	6.35 <i>0.250</i>	63.50 <i>2.500</i>	7.36 <i>0.290</i>	7.34 <i>0.289</i>		46.10 <i>1.815</i>	32.25 <i>1.270</i>	-

# Indicates item not stocked at time of printing - Please enquire for lead time

Page 5 of 15

E&OE Pricing and all details subject to change without notice - Copyright Miniature Bearings Australia Pty Ltd  
MBA Size Listings are a guide to sizes only and must not be solely relied on for critical design information.

## Pins - Ball Lock - T-Handle - Industrial - Steel and Aluminium

Part Number	Nominal Diameter mm <i>inches</i>	Grip Length mm <i>inches</i>	Locking Ball to End (C) mm <i>inches</i>	Extended Ball Distance (B) mm <i>inches</i>	Shank Diameter (D) mm <i>inches</i>	Handle Width (E) mm <i>inches</i>	Handle Height (G) mm <i>inches</i>	Handle Shank Length (H)
# BLP-064-0762-TI-AC	6.35 <i>0.250</i>	76.20 <i>3.000</i>	7.36 <i>0.290</i>	7.34 <i>0.289</i>		46.10 <i>1.815</i>	32.25 <i>1.270</i>	-
# BLP-064-0889-TI-AC	6.35 <i>0.250</i>	88.90 <i>3.500</i>	7.36 <i>0.290</i>	7.34 <i>0.289</i>		46.10 <i>1.815</i>	32.25 <i>1.270</i>	-
# BLP-064-1016-TI-AC	6.35 <i>0.250</i>	101.60 <i>4.000</i>	7.36 <i>0.290</i>	7.34 <i>0.289</i>		46.10 <i>1.815</i>	32.25 <i>1.270</i>	-
# BLP-079-0127-TI-AC	7.94 <i>0.313</i>	12.70 <i>0.500</i>	8.38 <i>0.330</i>	9.52 <i>0.375</i>		46.10 <i>1.815</i>	32.25 <i>1.270</i>	-
# BLP-079-0254-TI-AC	7.94 <i>0.313</i>	25.40 <i>1.000</i>	8.38 <i>0.330</i>	9.52 <i>0.375</i>		46.10 <i>1.815</i>	32.25 <i>1.270</i>	-
# BLP-079-0381-TI-AC	7.94 <i>0.313</i>	38.10 <i>1.500</i>	8.38 <i>0.330</i>	9.52 <i>0.375</i>		46.10 <i>1.815</i>	32.25 <i>1.270</i>	-
# BLP-079-0508-TI-AC	7.94 <i>0.313</i>	50.80 <i>2.000</i>	8.38 <i>0.330</i>	9.52 <i>0.375</i>		46.10 <i>1.815</i>	32.25 <i>1.270</i>	-
# BLP-079-0635-TI-AC	7.94 <i>0.313</i>	63.50 <i>2.500</i>	8.38 <i>0.330</i>	9.52 <i>0.375</i>		46.10 <i>1.815</i>	32.25 <i>1.270</i>	-
# BLP-079-0762-TI-AC	7.94 <i>0.313</i>	76.20 <i>3.000</i>	8.38 <i>0.330</i>	9.52 <i>0.375</i>		46.10 <i>1.815</i>	32.25 <i>1.270</i>	-
# BLP-079-0889-TI-AC	7.94 <i>0.313</i>	88.90 <i>3.500</i>	8.38 <i>0.330</i>	9.52 <i>0.375</i>		46.10 <i>1.815</i>	32.25 <i>1.270</i>	-

# Indicates item not stocked at time of printing - Please enquire for lead time

Page 6 of 15

E&OE Pricing and all details subject to change without notice - Copyright Miniature Bearings Australia Pty Ltd  
MBA Size Listings are a guide to sizes only and must not be solely relied on for critical design information.

## Pins - Ball Lock - T-Handle - Industrial - Steel and Aluminium

Part Number	Nominal Diameter mm	Grip Length mm	Locking Ball to End (C) mm	Extended Ball Distance (B) mm	Shank Diameter (D) mm	Handle Width (E) mm	Handle Height (G) mm	Handle Shank Length (H)
	<i>inches</i>	<i>inches</i>	<i>inches</i>	<i>inches</i>	<i>inches</i>	<i>inches</i>	<i>inches</i>	
# BLP-079-1016-TI-AC	7.94 <i>0.313</i>	101.60 <i>4.000</i>	8.38 <i>0.330</i>	9.52 <i>0.375</i>		46.10 <i>1.815</i>	32.25 <i>1.270</i>	-
# BLP-079-1143-TI-AC	7.94 <i>0.313</i>	114.30 <i>4.500</i>	8.38 <i>0.330</i>	9.52 <i>0.375</i>		46.10 <i>1.815</i>	32.25 <i>1.270</i>	-
# BLP-079-1270-TI-AC	7.94 <i>0.313</i>	127.00 <i>5.000</i>	8.38 <i>0.330</i>	9.52 <i>0.375</i>		46.10 <i>1.815</i>	32.25 <i>1.270</i>	-
# BLP-080-0250-TI-AC	8.00 <i>0.315</i>	25.00 <i>0.984</i>	8.00 <i>0.315</i>	9.42 <i>0.371</i>	13.00 <i>0.512</i>	46.00 <i>1.811</i>	32.00 <i>1.260</i>	18
# BLP-080-0300-TI-AC	8.00 <i>0.315</i>	30.00 <i>1.181</i>	8.00 <i>0.315</i>	9.42 <i>0.371</i>	13.00 <i>0.512</i>	46.00 <i>1.811</i>	32.00 <i>1.260</i>	18
# BLP-080-0400-TI-AC	8.00 <i>0.315</i>	40.00 <i>1.575</i>	8.00 <i>0.315</i>	9.42 <i>0.371</i>	13.00 <i>0.512</i>	46.00 <i>1.811</i>	32.00 <i>1.260</i>	18
# BLP-080-0500-TI-AC	8.00 <i>0.315</i>	50.00 <i>1.969</i>	8.00 <i>0.315</i>	9.42 <i>0.371</i>	13.00 <i>0.512</i>	46.00 <i>1.811</i>	32.00 <i>1.260</i>	18
# BLP-080-1000-TI-AC	8.00 <i>0.315</i>	100.00 <i>3.937</i>	8.00 <i>0.315</i>	9.42 <i>0.371</i>	13.00 <i>0.512</i>	46.00 <i>1.811</i>	32.00 <i>1.260</i>	18
# BLP-095-0127-TI-AC	9.53 <i>0.375</i>	12.70 <i>0.500</i>	9.27 <i>0.365</i>	11.17 <i>0.440</i>		52.45 <i>2.065</i>	36.83 <i>1.450</i>	-
# BLP-095-0254-TI-AC	9.53 <i>0.375</i>	25.40 <i>1.000</i>	9.27 <i>0.365</i>	11.17 <i>0.440</i>		52.45 <i>2.065</i>	36.83 <i>1.450</i>	-

# Indicates item not stocked at time of printing - Please enquire for lead time

Page 7 of 15

E&OE Pricing and all details subject to change without notice - Copyright Miniature Bearings Australia Pty Ltd  
MBA Size Listings are a guide to sizes only and must not be solely relied on for critical design information.

## Pins - Ball Lock - T-Handle - Industrial - Steel and Aluminium

Part Number	Nominal Diameter mm <i>inches</i>	Grip Length mm <i>inches</i>	Locking Ball to End (C) mm <i>inches</i>	Extended Ball Distance (B) mm <i>inches</i>	Shank Diameter (D) mm <i>inches</i>	Handle Width (E) mm <i>inches</i>	Handle Height (G) mm <i>inches</i>	Handle Shank Length (H)
# BLP-095-0381-TI-AC	9.53 <i>0.375</i>	38.10 <i>1.500</i>	9.27 <i>0.365</i>	11.17 <i>0.440</i>		52.45 <i>2.065</i>	36.83 <i>1.450</i>	-
# BLP-095-0508-TI-AC	9.53 <i>0.375</i>	50.80 <i>2.000</i>	9.27 <i>0.365</i>	11.17 <i>0.440</i>		52.45 <i>2.065</i>	36.83 <i>1.450</i>	-
# BLP-095-0635-TI-AC	9.53 <i>0.375</i>	63.50 <i>2.500</i>	9.27 <i>0.365</i>	11.17 <i>0.440</i>		52.45 <i>2.065</i>	36.83 <i>1.450</i>	-
# BLP-095-0762-TI-AC	9.53 <i>0.375</i>	76.20 <i>3.000</i>	9.27 <i>0.365</i>	11.17 <i>0.440</i>		52.45 <i>2.065</i>	36.83 <i>1.450</i>	-
# BLP-095-0889-TI-AC	9.53 <i>0.375</i>	88.90 <i>3.500</i>	9.27 <i>0.365</i>	11.17 <i>0.440</i>		52.45 <i>2.065</i>	36.83 <i>1.450</i>	-
# BLP-095-1016-TI-AC	9.53 <i>0.375</i>	101.60 <i>4.000</i>	9.27 <i>0.365</i>	11.17 <i>0.440</i>		52.45 <i>2.065</i>	36.83 <i>1.450</i>	-
# BLP-095-1143-TI-AC	9.53 <i>0.375</i>	114.30 <i>4.500</i>	9.27 <i>0.365</i>	11.17 <i>0.440</i>		52.45 <i>2.065</i>	36.83 <i>1.450</i>	-
# BLP-095-1270-TI-AC	9.53 <i>0.375</i>	127.00 <i>5.000</i>	9.27 <i>0.365</i>	11.17 <i>0.440</i>		52.45 <i>2.065</i>	36.83 <i>1.450</i>	-
# BLP-095-1397-TI-AC	9.53 <i>0.375</i>	139.70 <i>5.500</i>	9.27 <i>0.365</i>	11.17 <i>0.440</i>		52.45 <i>2.065</i>	36.83 <i>1.450</i>	-
# BLP-095-1524-TI-AC	9.53 <i>0.375</i>	152.40 <i>6.000</i>	9.27 <i>0.365</i>	11.17 <i>0.440</i>		52.45 <i>2.065</i>	36.83 <i>1.450</i>	-

# Indicates item not stocked at time of printing - Please enquire for lead time

Page 8 of 15

E&OE Pricing and all details subject to change without notice - Copyright Miniature Bearings Australia Pty Ltd  
MBA Size Listings are a guide to sizes only and must not be solely relied on for critical design information.



## Pins - Ball Lock - T-Handle - Industrial - Steel and Aluminium

Part Number	Nominal Diameter mm <i>inches</i>	Grip Length mm <i>inches</i>	Locking Ball to End (C) mm <i>inches</i>	Extended Ball Distance (B) mm <i>inches</i>	Shank Diameter (D) mm <i>inches</i>	Handle Width (E) mm <i>inches</i>	Handle Height (G) mm <i>inches</i>	Handle Shank Length (H)
# BLP-100-0250-TI-AC	10.00 <i>0.394</i>	25.00 <i>0.984</i>	9.00 <i>0.354</i>	11.86 <i>0.467</i>	16.00 <i>0.630</i>	51.00 <i>2.008</i>	37.00 <i>1.457</i>	21
# BLP-100-0300-TI-AC	10.00 <i>0.394</i>	30.00 <i>1.181</i>	9.00 <i>0.354</i>	11.86 <i>0.467</i>	16.00 <i>0.630</i>	51.00 <i>2.008</i>	37.00 <i>1.457</i>	21
# BLP-100-0400-TI-AC	10.00 <i>0.394</i>	40.00 <i>1.575</i>	9.00 <i>0.354</i>	11.86 <i>0.467</i>	16.00 <i>0.630</i>	51.00 <i>2.008</i>	37.00 <i>1.457</i>	21
# BLP-100-0500-TI-AC	10.00 <i>0.394</i>	50.00 <i>1.969</i>	9.00 <i>0.354</i>	11.86 <i>0.467</i>	16.00 <i>0.630</i>	51.00 <i>2.008</i>	37.00 <i>1.457</i>	21
# BLP-100-1000-TI-AC	10.00 <i>0.394</i>	100.00 <i>3.937</i>	9.00 <i>0.354</i>	11.86 <i>0.467</i>	16.00 <i>0.630</i>	51.00 <i>2.008</i>	37.00 <i>1.457</i>	21
# BLP-111-0254-TI-AC	11.11 <i>0.437</i>	25.40 <i>1.000</i>	9.65 <i>0.380</i>	12.92 <i>0.509</i>		52.45 <i>2.065</i>	36.83 <i>1.450</i>	-
# BLP-111-0381-TI-AC	11.11 <i>0.437</i>	38.10 <i>1.500</i>	9.65 <i>0.380</i>	12.92 <i>0.509</i>		52.45 <i>2.065</i>	36.83 <i>1.450</i>	-
BLP-111-0508-TI-AC	11.11 <i>0.437</i>	50.80 <i>2.000</i>	9.65 <i>0.380</i>	12.92 <i>0.509</i>		52.45 <i>2.065</i>	36.83 <i>1.450</i>	-
# BLP-111-0635-TI-AC	11.11 <i>0.437</i>	63.50 <i>2.500</i>	9.65 <i>0.380</i>	12.92 <i>0.509</i>		52.45 <i>2.065</i>	36.83 <i>1.450</i>	-
# BLP-111-0762-TI-AC	11.11 <i>0.437</i>	76.20 <i>3.000</i>	9.65 <i>0.380</i>	12.92 <i>0.509</i>		52.45 <i>2.065</i>	36.83 <i>1.450</i>	-

# Indicates item not stocked at time of printing - Please enquire for lead time

Page 9 of 15

E&OE Pricing and all details subject to change without notice - Copyright Miniature Bearings Australia Pty Ltd  
MBA Size Listings are a guide to sizes only and must not be solely relied on for critical design information.

## Pins - Ball Lock - T-Handle - Industrial - Steel and Aluminium

Part Number	Nominal Diameter mm <i>inches</i>	Grip Length mm <i>inches</i>	Locking Ball to End (C) mm <i>inches</i>	Extended Ball Distance (B) mm <i>inches</i>	Shank Diameter (D) mm <i>inches</i>	Handle Width (E) mm <i>inches</i>	Handle Height (G) mm <i>inches</i>	Handle Shank Length (H)
# BLP-111-1016-TI-AC	11.11 <i>0.437</i>	101.60 <i>4.000</i>	9.65 <i>0.380</i>	12.92 <i>0.509</i>		52.45 <i>2.065</i>	36.83 <i>1.450</i>	-
# BLP-120-0300-TI-AC	12.00 <i>0.472</i>	30.00 <i>1.181</i>	10.00 <i>0.394</i>	14.45 <i>0.569</i>	16.00 <i>0.630</i>	51.00 <i>2.008</i>	37.00 <i>1.457</i>	21
# BLP-120-0400-TI-AC	12.00 <i>0.472</i>	40.00 <i>1.575</i>	10.00 <i>0.394</i>	14.45 <i>0.569</i>	16.00 <i>0.630</i>	51.00 <i>2.008</i>	37.00 <i>1.457</i>	21
# BLP-120-0500-TI-AC	12.00 <i>0.472</i>	50.00 <i>1.969</i>	10.00 <i>0.394</i>	14.45 <i>0.569</i>	16.00 <i>0.630</i>	51.00 <i>2.008</i>	37.00 <i>1.457</i>	21
# BLP-120-0800-TI-AC	12.00 <i>0.472</i>	80.00 <i>3.150</i>	10.00 <i>0.394</i>	14.45 <i>0.569</i>	16.00 <i>0.630</i>	51.00 <i>2.008</i>	37.00 <i>1.457</i>	21
# BLP-120-1000-TI-AC	12.00 <i>0.472</i>	100.00 <i>3.937</i>	10.00 <i>0.394</i>	14.45 <i>0.569</i>	16.00 <i>0.630</i>	51.00 <i>2.008</i>	37.00 <i>1.457</i>	21
# BLP-127-0254-TI-AC	12.70 <i>0.500</i>	25.40 <i>1.000</i>	11.68 <i>0.460</i>	15.08 <i>0.594</i>		59.56 <i>2.345</i>	40.64 <i>1.600</i>	-
# BLP-127-0318-TI-AC	12.70 <i>0.500</i>	31.75 <i>1.250</i>	11.68 <i>0.460</i>	15.08 <i>0.594</i>		59.56 <i>2.345</i>	40.64 <i>1.600</i>	-
# BLP-127-0381-TI-AC	12.70 <i>0.500</i>	38.10 <i>1.500</i>	11.68 <i>0.460</i>	15.08 <i>0.594</i>		59.56 <i>2.345</i>	40.64 <i>1.600</i>	-
# BLP-127-0445-TI-AC	12.70 <i>0.500</i>	44.45 <i>1.750</i>	11.68 <i>0.460</i>	15.08 <i>0.594</i>		59.56 <i>2.345</i>	40.64 <i>1.600</i>	-

# Indicates item not stocked at time of printing - Please enquire for lead time

Page 10 of 15

E&OE Pricing and all details subject to change without notice - Copyright Miniature Bearings Australia Pty Ltd  
MBA Size Listings are a guide to sizes only and must not be solely relied on for critical design information.

## Pins - Ball Lock - T-Handle - Industrial - Steel and Aluminium

Part Number	Nominal Diameter mm <i>inches</i>	Grip Length mm <i>inches</i>	Locking Ball to End (C) mm <i>inches</i>	Extended Ball Distance (B) mm <i>inches</i>	Shank Diameter (D) mm <i>inches</i>	Handle Width (E) mm <i>inches</i>	Handle Height (G) mm <i>inches</i>	Handle Shank Length (H)
# BLP-127-0508-TI-AC	12.70 <i>0.500</i>	50.80 <i>2.000</i>	11.68 <i>0.460</i>	15.08 <i>0.594</i>		59.56 <i>2.345</i>	40.64 <i>1.600</i>	-
# BLP-127-0635-TI-AC	12.70 <i>0.500</i>	63.50 <i>2.500</i>	11.68 <i>0.460</i>	15.08 <i>0.594</i>		59.56 <i>2.345</i>	40.64 <i>1.600</i>	-
# BLP-127-0762-TI-AC	12.70 <i>0.500</i>	76.20 <i>3.000</i>	11.68 <i>0.460</i>	15.08 <i>0.594</i>		59.56 <i>2.345</i>	40.64 <i>1.600</i>	-
# BLP-127-0889-TI-AC	12.70 <i>0.500</i>	88.90 <i>3.500</i>	11.68 <i>0.460</i>	15.08 <i>0.594</i>		59.56 <i>2.345</i>	40.64 <i>1.600</i>	-
# BLP-127-1016-TI-AC	12.70 <i>0.500</i>	101.60 <i>4.000</i>	11.68 <i>0.460</i>	15.08 <i>0.594</i>		59.56 <i>2.345</i>	40.64 <i>1.600</i>	-
# BLP-127-1143-TI-AC	12.70 <i>0.500</i>	114.30 <i>4.500</i>	11.68 <i>0.460</i>	15.08 <i>0.594</i>		59.56 <i>2.345</i>	40.64 <i>1.600</i>	-
# BLP-127-1270-TI-AC	12.70 <i>0.500</i>	127.00 <i>5.000</i>	11.68 <i>0.460</i>	15.08 <i>0.594</i>		59.56 <i>2.345</i>	40.64 <i>1.600</i>	-
# BLP-127-1397-TI-AC	12.70 <i>0.500</i>	139.70 <i>5.500</i>	11.68 <i>0.460</i>	15.08 <i>0.594</i>		59.56 <i>2.345</i>	40.64 <i>1.600</i>	-
# BLP-127-1524-TI-AC	12.70 <i>0.500</i>	152.40 <i>6.000</i>	11.68 <i>0.460</i>	15.08 <i>0.594</i>		59.56 <i>2.345</i>	40.64 <i>1.600</i>	-
# BLP-143-0508-TI-AC	14.29 <i>0.563</i>	50.80 <i>2.000</i>	12.95 <i>0.510</i>	16.91 <i>0.666</i>		59.56 <i>2.345</i>	40.64 <i>1.600</i>	-

# Indicates item not stocked at time of printing - Please enquire for lead time

Page 11 of 15

E&OE Pricing and all details subject to change without notice - Copyright Miniature Bearings Australia Pty Ltd  
MBA Size Listings are a guide to sizes only and must not be solely relied on for critical design information.

## Pins - Ball Lock - T-Handle - Industrial - Steel and Aluminium

Part Number	Nominal Diameter mm <i>inches</i>	Grip Length mm <i>inches</i>	Locking Ball to End (C) mm <i>inches</i>	Extended Ball Distance (B) mm <i>inches</i>	Shank Diameter (D) mm <i>inches</i>	Handle Width (E) mm <i>inches</i>	Handle Height (G) mm <i>inches</i>	Handle Shank Length (H)
# BLP-143-0635-TI-AC	14.29 <i>0.563</i>	63.50 <i>2.500</i>	12.95 <i>0.510</i>	16.91 <i>0.666</i>		59.56 <i>2.345</i>	40.64 <i>1.600</i>	-
# BLP-143-0762-TI-AC	14.29 <i>0.563</i>	76.20 <i>3.000</i>	12.95 <i>0.510</i>	16.91 <i>0.666</i>		59.56 <i>2.345</i>	40.64 <i>1.600</i>	-
# BLP-143-0889-TI-AC	14.29 <i>0.563</i>	88.90 <i>3.500</i>	12.95 <i>0.510</i>	16.91 <i>0.666</i>		59.56 <i>2.345</i>	40.64 <i>1.600</i>	-
# BLP-143-1016-TI-AC	14.29 <i>0.563</i>	101.60 <i>4.000</i>	12.95 <i>0.510</i>	16.91 <i>0.666</i>		59.56 <i>2.345</i>	40.64 <i>1.600</i>	-
# BLP-159-0058-TI-AC	15.88 <i>0.625</i>	5.80 <i>0.228</i>	14.73 <i>0.580</i>	19.05 <i>0.750</i>		78.74 <i>3.100</i>	43.18 <i>1.700</i>	-
# BLP-159-0381-TI-AC	15.88 <i>0.625</i>	38.10 <i>1.500</i>	14.73 <i>0.580</i>	19.05 <i>0.750</i>		78.74 <i>3.100</i>	43.18 <i>1.700</i>	-
BLP-159-0635-TI-AC	15.88 <i>0.625</i>	63.50 <i>2.500</i>	14.73 <i>0.580</i>	19.05 <i>0.750</i>		78.74 <i>3.100</i>	43.18 <i>1.700</i>	-
# BLP-159-0762-TI-AC	15.88 <i>0.625</i>	76.20 <i>3.000</i>	14.73 <i>0.580</i>	19.05 <i>0.750</i>		78.74 <i>3.100</i>	43.18 <i>1.700</i>	-
# BLP-159-0889-TI-AC	15.88 <i>0.625</i>	88.90 <i>3.500</i>	14.73 <i>0.580</i>	19.05 <i>0.750</i>		78.74 <i>3.100</i>	43.18 <i>1.700</i>	-
# BLP-159-1016-TI-AC	15.88 <i>0.625</i>	101.60 <i>4.000</i>	14.73 <i>0.580</i>	19.05 <i>0.750</i>		78.74 <i>3.100</i>	43.18 <i>1.700</i>	-

# Indicates item not stocked at time of printing - Please enquire for lead time

Page 12 of 15

E&OE Pricing and all details subject to change without notice - Copyright Miniature Bearings Australia Pty Ltd  
MBA Size Listings are a guide to sizes only and must not be solely relied on for critical design information.

## Pins - Ball Lock - T-Handle - Industrial - Steel and Aluminium

Part Number	Nominal Diameter mm <i>inches</i>	Grip Length mm <i>inches</i>	Locking Ball to End (C) mm <i>inches</i>	Extended Ball Distance (B) mm <i>inches</i>	Shank Diameter (D) mm <i>inches</i>	Handle Width (E) mm <i>inches</i>	Handle Height (G) mm <i>inches</i>	Handle Shank Length (H)
# BLP-159-1143-TI-AC	15.88 <i>0.625</i>	114.30 <i>4.500</i>	14.73 <i>0.580</i>	19.05 <i>0.750</i>		78.74 <i>3.100</i>	43.18 <i>1.700</i>	-
# BLP-159-1270-TI-AC	15.88 <i>0.625</i>	127.00 <i>5.000</i>	14.73 <i>0.580</i>	19.05 <i>0.750</i>		78.74 <i>3.100</i>	43.18 <i>1.700</i>	-
# BLP-159-1397-TI-AC	15.88 <i>0.625</i>	139.70 <i>5.500</i>	14.73 <i>0.580</i>	19.05 <i>0.750</i>		78.74 <i>3.100</i>	43.18 <i>1.700</i>	-
# BLP-159-1524-TI-AC	15.88 <i>0.625</i>	152.40 <i>6.000</i>	14.73 <i>0.580</i>	19.05 <i>0.750</i>		78.74 <i>3.100</i>	43.18 <i>1.700</i>	-
# BLP-160-0500-TI-AC	16.00 <i>0.630</i>	50.00 <i>1.969</i>	14.00 <i>0.551</i>	19.00 <i>0.748</i>	25.00 <i>0.984</i>	76.00 <i>2.992</i>	43.00 <i>1.693</i>	24
# BLP-191-0381-TI-AC	19.05 <i>0.750</i>	38.10 <i>1.500</i>	17.01 <i>0.670</i>	22.52 <i>0.887</i>		78.74 <i>3.100</i>	43.68 <i>1.720</i>	-
# BLP-191-0508-TI-AC	19.05 <i>0.750</i>	50.80 <i>2.000</i>	17.01 <i>0.670</i>	22.52 <i>0.887</i>		78.74 <i>3.100</i>	43.68 <i>1.720</i>	-
# BLP-191-0635-TI-AC	19.05 <i>0.750</i>	63.50 <i>2.500</i>	17.01 <i>0.670</i>	22.52 <i>0.887</i>		78.74 <i>3.100</i>	43.68 <i>1.720</i>	-
# BLP-191-0762-TI-AC	19.05 <i>0.750</i>	76.20 <i>3.000</i>	17.01 <i>0.670</i>	22.52 <i>0.887</i>		78.74 <i>3.100</i>	43.68 <i>1.720</i>	-
# BLP-191-0889-TI-AC	19.05 <i>0.750</i>	88.90 <i>3.500</i>	17.01 <i>0.670</i>	22.52 <i>0.887</i>		78.74 <i>3.100</i>	43.68 <i>1.720</i>	-

# Indicates item not stocked at time of printing - Please enquire for lead time

Page 13 of 15

E&OE Pricing and all details subject to change without notice - Copyright Miniature Bearings Australia Pty Ltd  
MBA Size Listings are a guide to sizes only and must not be solely relied on for critical design information.

## Pins - Ball Lock - T-Handle - Industrial - Steel and Aluminium

Part Number	Nominal Diameter mm	Grip Length mm	Locking Ball to End (C) mm	Extended Ball Distance (B) mm	Shank Diameter (D) mm	Handle Width (E) mm	Handle Height (G) mm	Handle Shank Length (H)
	<i>inches</i>	<i>inches</i>	<i>inches</i>	<i>inches</i>	<i>inches</i>	<i>inches</i>	<i>inches</i>	
# BLP-191-1016-TI-AC	19.05 <i>0.750</i>	101.60 <i>4.000</i>	17.01 <i>0.670</i>	22.52 <i>0.887</i>		78.74 <i>3.100</i>	43.68 <i>1.720</i>	-
# BLP-191-1143-TI-AC	19.05 <i>0.750</i>	114.30 <i>4.500</i>	17.01 <i>0.670</i>	22.52 <i>0.887</i>		78.74 <i>3.100</i>	43.68 <i>1.720</i>	-
# BLP-191-1270-TI-AC	19.05 <i>0.750</i>	127.00 <i>5.000</i>	17.01 <i>0.670</i>	22.52 <i>0.887</i>		78.74 <i>3.100</i>	43.68 <i>1.720</i>	-
# BLP-191-1397-TI-AC	19.05 <i>0.750</i>	139.70 <i>5.500</i>	17.01 <i>0.670</i>	22.52 <i>0.887</i>		78.74 <i>3.100</i>	43.68 <i>1.720</i>	-
# BLP-191-1524-TI-AC	19.05 <i>0.750</i>	152.40 <i>6.000</i>	17.01 <i>0.670</i>	22.52 <i>0.887</i>		78.74 <i>3.100</i>	43.68 <i>1.720</i>	-
# BLP-222-0762-TI-AC	22.23 <i>0.875</i>	76.20 <i>3.000</i>	19.30 <i>0.760</i>	26.56 <i>1.046</i>		89.40 <i>3.520</i>	55.11 <i>2.170</i>	-
# BLP-222-1524-TI-AC	22.23 <i>0.875</i>	152.40 <i>6.000</i>	19.30 <i>0.760</i>	26.56 <i>1.046</i>		89.40 <i>3.520</i>	55.11 <i>2.170</i>	-
# BLP-254-0508-TI-AC	25.40 <i>1.000</i>	50.80 <i>2.000</i>	22.60 <i>0.890</i>	30.96 <i>1.219</i>		89.40 <i>3.520</i>	55.11 <i>2.170</i>	-
# BLP-254-0635-TI-AC	25.40 <i>1.000</i>	63.50 <i>2.500</i>	22.60 <i>0.890</i>	30.96 <i>1.219</i>		89.40 <i>3.520</i>	55.11 <i>2.170</i>	-
# BLP-254-0762-TI-AC	25.40 <i>1.000</i>	76.20 <i>3.000</i>	22.60 <i>0.890</i>	30.96 <i>1.219</i>		89.40 <i>3.520</i>	55.11 <i>2.170</i>	-

# Indicates item not stocked at time of printing - Please enquire for lead time

Page 14 of 15

E&OE Pricing and all details subject to change without notice - Copyright Miniature Bearings Australia Pty Ltd  
MBA Size Listings are a guide to sizes only and must not be solely relied on for critical design information.

## Pins - Ball Lock - T-Handle - Industrial - Steel and Aluminium

Part Number	Nominal Diameter mm	Grip Length mm	Locking Ball to End (C) mm	Extended Ball Distance (B) mm	Shank Diameter (D) mm	Handle Width (E) mm	Handle Height (G) mm	Handle Shank Length (H)
	<i>inches</i>	<i>inches</i>	<i>inches</i>	<i>inches</i>	<i>inches</i>	<i>inches</i>	<i>inches</i>	
# BLP-254-0889-TI-AC	25.40 <i>1.000</i>	88.90 <i>3.500</i>	22.60 <i>0.890</i>	30.96 <i>1.219</i>		89.40 <i>3.520</i>	55.11 <i>2.170</i>	-
# BLP-254-1016-TI-AC	25.40 <i>1.000</i>	101.60 <i>4.000</i>	22.60 <i>0.890</i>	30.96 <i>1.219</i>		89.40 <i>3.520</i>	55.11 <i>2.170</i>	-
# BLP-254-1143-TI-AC	25.40 <i>1.000</i>	114.30 <i>4.500</i>	22.60 <i>0.890</i>	30.96 <i>1.219</i>		89.40 <i>3.520</i>	55.11 <i>2.170</i>	-
# BLP-254-1270-TI-AC	25.40 <i>1.000</i>	127.00 <i>5.000</i>	22.60 <i>0.890</i>	30.96 <i>1.219</i>		89.40 <i>3.520</i>	55.11 <i>2.170</i>	-
# BLP-254-1524-TI-AC	25.40 <i>1.000</i>	152.40 <i>6.000</i>	22.60 <i>0.890</i>	30.96 <i>1.219</i>		89.40 <i>3.520</i>	55.11 <i>2.170</i>	-

# Indicates item not stocked at time of printing - Please enquire for lead time

E&OE Pricing and all details subject to change without notice - Copyright Miniature Bearings Australia Pty Ltd  
MBA Size Listings are a guide to sizes only and must not be solely relied on for critical design information.

DISTRIBUTED BY

Distributed By:

