



Pins - Dowel - Extractable - With Vent

10/4/2018

Indicates item not stocked at time of printing - Please enquire for lead time

E&OE Pricing and all details subject to change without notice - Copyright Miniature Bearings Australia Pty Ltd

MBA Size Listings are a guide to sizes only and must not be solely relied on for critical design information.

INFORMATION

Hardened and Ground Steel 100 Cr6 with a ground flat along one edge

Extractable dowels have a thread tapped in the end to facilitate removal from blind holes

An air release flat is ground along the full length of the pin

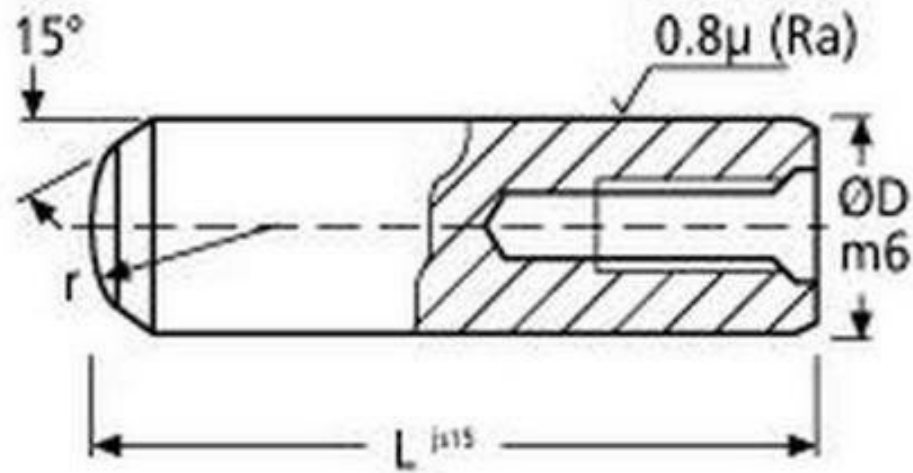
Hardness 55-62 HRC, HV550-650

This catalogue to be read in conjunction with information at
<http://www.minibearings.com.au//partslist/toolpullersdowelremoverssetter/toolpullersdowelremoverssetter/all/1/>

Indicates item not stocked at time of printing - Please enquire for lead time

E&OE Pricing and all details subject to change without notice - Copyright Miniature Bearings Australia Pty Ltd

MBA Size Listings are a guide to sizes only and must not be solely relied on for critical design information.



Indicates item not stocked at time of printing - Please enquire for lead time

E&OE Pricing and all details subject to change without notice - Copyright Miniature Bearings Australia Pty Ltd

MBA Size Listings are a guide to sizes only and must not be solely relied on for critical design information.

Pins - Dowel - Extractable - With Vent

Part Number	Diameter (D) mm <i>inches</i>	Length (L) mm <i>inches</i>	Overall Length mm <i>inches</i>	Hardness	Thread Size
# DP060-020-CH-1EF	6.000 <i>0.236</i>	20.00 <i>0.787</i>	20.00 <i>0.787</i>		M4-0.70
# DP060-025-CH-1EF	6.000 <i>0.236</i>	25.00 <i>0.984</i>	25.00 <i>0.984</i>		M4-0.70
# DP060-050-CH-1EF	6.000 <i>0.236</i>	50.00 <i>1.969</i>	50.00 <i>1.969</i>		M4-.70
# DP064-013-CH-1EF	6.350 <i>0.250</i>	12.70 <i>0.500</i>	12.70 <i>0.500</i>		8-32
DP064-019-CH-1EF	6.350 <i>0.250</i>	19.05 <i>0.750</i>	19.05 <i>0.750</i>		8-32
# DP064-025-CH-1EF	6.350 <i>0.250</i>	25.40 <i>1.000</i>	25.40 <i>1.000</i>		8-32
# DP064-032-CH-1EF	6.350 <i>0.250</i>	31.75 <i>1.250</i>	31.75 <i>1.250</i>		8-32
# DP064-038-CH-1EF	6.350 <i>0.250</i>	38.10 <i>1.500</i>	38.10 <i>1.500</i>		8-32
# DP064-051-CH-1EF	6.350 <i>0.250</i>	50.80 <i>2.000</i>	50.80 <i>2.000</i>		8-32
# DP064-064-CH-1EF	6.350 <i>0.250</i>	63.50 <i>2.500</i>	63.50 <i>2.500</i>		8-32

Indicates item not stocked at time of printing - Please enquire for lead time

E&OE Pricing and all details subject to change without notice - Copyright Miniature Bearings Australia Pty Ltd

MBA Size Listings are a guide to sizes only and must not be solely relied on for critical design information.

Pins - Dowel - Extractable - With Vent

Part Number	Diameter (D) mm <i>inches</i>	Length (L) mm <i>inches</i>	Overall Length mm <i>inches</i>	Hardness	Thread Size
# DP079-032-CH-1EF	7.938 <i>0.313</i>	31.75 <i>1.250</i>	31.75 <i>1.250</i>		10-32
# DP079-038-CH-1EF	7.938 <i>0.313</i>	38.10 <i>1.500</i>	38.10 <i>1.500</i>		10-32
# DP080-025-CH-1EF	8.000 <i>0.315</i>	25.00 <i>0.984</i>	25.00 <i>0.984</i>		M5-0.80
# DP080-030-CH-1EF	8.000 <i>0.315</i>	30.00 <i>1.181</i>	30.00 <i>1.181</i>		M5-0.80
# DP095-025-CH-1EF	9.525 <i>0.375</i>	25.40 <i>1.000</i>	25.40 <i>1.000</i>		10-32
# DP095-032-CH-1EF	9.525 <i>0.375</i>	31.75 <i>1.250</i>	31.75 <i>1.250</i>		10-32
# DP095-038-CH-1EF	9.525 <i>0.375</i>	38.10 <i>1.500</i>	38.10 <i>1.500</i>		10-32
# DP095-044-CH-1EF	9.525 <i>0.375</i>	44.45 <i>1.750</i>	44.45 <i>1.750</i>		10-32
# DP095-051-CH-1EF	9.525 <i>0.375</i>	50.80 <i>2.000</i>	50.80 <i>2.000</i>		10-32
# DP095-064-CH-1EF	9.525 <i>0.375</i>	63.50 <i>2.500</i>	63.50 <i>2.500</i>		10-32

Indicates item not stocked at time of printing - Please enquire for lead time

E&OE Pricing and all details subject to change without notice - Copyright Miniature Bearings Australia Pty Ltd

MBA Size Listings are a guide to sizes only and must not be solely relied on for critical design information.

Pins - Dowel - Extractable - With Vent

Part Number	Diameter (D) mm	Length (L) mm	Overall Length mm	Hardness	Thread Size
	<i>inches</i>	<i>inches</i>	<i>inches</i>		
# DP095-076-CH-1EF	9.525 <i>0.375</i>	76.20 <i>3.000</i>	76.20 <i>3.000</i>		10-32
# DP100-030-CH-1EF	10.000 <i>0.394</i>	30.00 <i>1.181</i>	30.00 <i>1.181</i>		M6-1
# DP100-040-CH-1EF	10.000 <i>0.394</i>	40.00 <i>1.575</i>	40.00 <i>1.575</i>		M6-1
# DP100-060-CH-1EF	10.000 <i>0.394</i>	60.00 <i>2.362</i>	60.00 <i>2.362</i>		M6-1
# DP111-051-CH-1EF	11.113 <i>0.438</i>	50.80 <i>2.000</i>	50.80 <i>2.000</i>		1/4-20
# DP120-030-CH-1EF	12.000 <i>0.472</i>	30.00 <i>1.181</i>	30.00 <i>1.181</i>		M6-1
# DP120-050-CH-1EF	12.000 <i>0.472</i>	50.00 <i>1.969</i>	50.00 <i>1.969</i>		M6-1
# DP120-060-CH-1EF	12.000 <i>0.472</i>	60.00 <i>2.362</i>	60.00 <i>2.362</i>		M6-1
# DP127-025-CH-1EF	12.700 <i>0.500</i>	25.40 <i>1.000</i>	25.40 <i>1.000</i>		1/4-20
# DP127-032-CH-1EF	12.700 <i>0.500</i>	31.75 <i>1.250</i>	31.75 <i>1.250</i>		1/4-20

Indicates item not stocked at time of printing - Please enquire for lead time

E&OE Pricing and all details subject to change without notice - Copyright Miniature Bearings Australia Pty Ltd

MBA Size Listings are a guide to sizes only and must not be solely relied on for critical design information.

Pins - Dowel - Extractable - With Vent

Part Number	Diameter (D) mm <i>inches</i>	Length (L) mm <i>inches</i>	Overall Length mm <i>inches</i>	Hardness	Thread Size
# DP127-038-CH-1EF	12.700 <i>0.500</i>	38.10 <i>1.500</i>	38.10 <i>1.500</i>		1/4-20
# DP127-044-CH-1EF	12.700 <i>0.500</i>	44.45 <i>1.750</i>	44.45 <i>1.750</i>		1/4-20
# DP127-051-CH-1EF	12.700 <i>0.500</i>	50.80 <i>2.000</i>	50.80 <i>2.000</i>		1/4-20
# DP127-064-CH-1EF	12.700 <i>0.500</i>	63.50 <i>2.500</i>	63.50 <i>2.500</i>		1/4-20
# DP127-076-CH-1EF	12.700 <i>0.500</i>	76.20 <i>3.000</i>	76.20 <i>3.000</i>		1/4-20
# DP127-089-CH-1EF	12.700 <i>0.500</i>	88.90 <i>3.500</i>	88.90 <i>3.500</i>		1/4-20
# DP159-038-CH-1EF	15.875 <i>0.625</i>	38.10 <i>1.500</i>	38.10 <i>1.500</i>		1/4-20
# DP159-051-CH-1EF	15.875 <i>0.625</i>	50.80 <i>2.000</i>	50.80 <i>2.000</i>		1/4-20
# DP159-064-CH-1EF	15.875 <i>0.625</i>	63.50 <i>2.500</i>	63.50 <i>2.500</i>		1/4-20
# DP160-050-CH-1EF	16.000 <i>0.630</i>	50.00 <i>1.969</i>	50.00 <i>1.969</i>		M8-1.25

Indicates item not stocked at time of printing - Please enquire for lead time

E&OE Pricing and all details subject to change without notice - Copyright Miniature Bearings Australia Pty Ltd

MBA Size Listings are a guide to sizes only and must not be solely relied on for critical design information.

Pins - Dowel - Extractable - With Vent

Part Number	Diameter (D) mm	Length (L) mm	Overall Length mm	Hardness	Thread Size
	<i>inches</i>	<i>inches</i>	<i>inches</i>		
# DP191-038-CH-1EF	19.050 <i>0.750</i>	38.10 <i>1.500</i>	38.10 <i>1.500</i>		5/16-18
# DP191-051-CH-1EF	19.050 <i>0.750</i>	50.80 <i>2.000</i>	50.80 <i>2.000</i>		5/16-18
# DP191-076-CH-1EF	19.050 <i>0.750</i>	76.20 <i>3.000</i>	76.20 <i>3.000</i>		5/16-18
# DP254-051-CH-1EF	25.400 <i>1.000</i>	50.80 <i>2.000</i>	50.80 <i>2.000</i>		5/16-18
# DP254-102-CH-1EF	25.400 <i>1.000</i>	101.60 <i>4.000</i>	101.60 <i>4.000</i>		5/16-18

Indicates item not stocked at time of printing - Please enquire for lead time

E&OE Pricing and all details subject to change without notice - Copyright Miniature Bearings Australia Pty Ltd

MBA Size Listings are a guide to sizes only and must not be solely relied on for critical design information.

DISTRIBUTED BY

Distributed By:

