



Pins - Dowel Bushings

10/4/2018

Indicates item not stocked at time of printing - Please enquire for lead time

E&OE Pricing and all details subject to change without notice - Copyright Miniature Bearings Australia Pty Ltd

MBA Size Listings are a guide to sizes only and must not be solely relied on for critical design information.

INFORMATION

Series DB100 Spirol

Spring Steel.

Precision rolled bushes manufactured from spring steel.

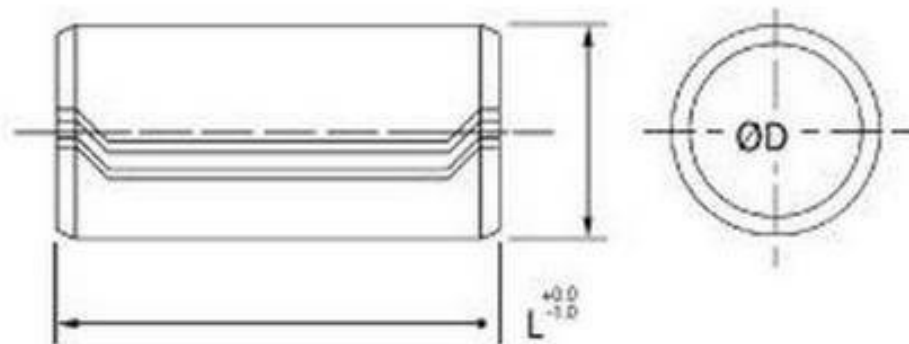
Designed to eliminate the need for separate dowling where two components are to be located accurately together and fastened with bolts.

They are available for use with bolts from M5 to M12.

Indicates item not stocked at time of printing - Please enquire for lead time

E&OE Pricing and all details subject to change without notice - Copyright Miniature Bearings Australia Pty Ltd

MBA Size Listings are a guide to sizes only and must not be solely relied on for critical design information.



Indicates item not stocked at time of printing - Please enquire for lead time

E&OE Pricing and all details subject to change without notice - Copyright Miniature Bearings Australia Pty Ltd

MBA Size Listings are a guide to sizes only and must not be solely relied on for critical design information.

Pins - Dowel Bushings

Part Number	To Suit Bolt Size mm	Length mm	Rec. Hole Diameter Min mm	Unassembled Diameter (D) Min mm	Unassembled Diameter (D) Max mm	Wall Thickness mm	Rec. Hole Diameter Max mm	Minimum Single Shear kN
	<i>inches</i>	<i>inches</i>	<i>inches</i>	<i>inches</i>	<i>inches</i>	<i>inches</i>	<i>inches</i>	
# DB5-10	5.00 <i>0.197</i>	10.00 <i>0.394</i>	6.35 <i>0.250</i>	6.60 <i>0.260</i>	6.86 <i>0.270</i>	0.56 <i>0.022</i>	6.48 <i>0.255</i>	17.40
DB5-13	5.00 <i>0.197</i>	12.00 <i>0.472</i>	6.35 <i>0.250</i>	6.60 <i>0.260</i>	6.86 <i>0.270</i>	0.56 <i>0.022</i>	6.48 <i>0.255</i>	17.40
# DB5-19	5.00 <i>0.197</i>	20.00 <i>0.787</i>	6.35 <i>0.250</i>	6.60 <i>0.260</i>	6.86 <i>0.270</i>	0.56 <i>0.022</i>	6.48 <i>0.255</i>	17.40
DB6-13	6.00 <i>0.236</i>	12.00 <i>0.472</i>	7.67 <i>0.302</i>	7.92 <i>0.312</i>	8.18 <i>0.322</i>	0.71 <i>0.028</i>	7.80 <i>0.307</i>	11.40
# DB6-19	6.00 <i>0.236</i>	20.00 <i>0.787</i>	7.67 <i>0.302</i>	7.92 <i>0.312</i>	8.18 <i>0.322</i>	0.71 <i>0.028</i>	7.80 <i>0.307</i>	11.40
# DB6-25	6.00 <i>0.236</i>	25.00 <i>0.984</i>	7.67 <i>0.302</i>	7.92 <i>0.312</i>	8.18 <i>0.322</i>	0.71 <i>0.028</i>	7.80 <i>0.307</i>	11.40
# DB8-13	8.00 <i>0.315</i>	12.00 <i>0.472</i>	9.93 <i>0.391</i>	10.18 <i>0.401</i>	10.44 <i>0.411</i>	0.89 <i>0.035</i>	10.06 <i>0.396</i>	18.70
DB8-19	8.00 <i>0.315</i>	20.00 <i>0.787</i>	9.93 <i>0.391</i>	10.18 <i>0.401</i>	10.44 <i>0.411</i>	0.89 <i>0.035</i>	10.06 <i>0.396</i>	18.70
DB8-25	8.00 <i>0.315</i>	25.00 <i>0.984</i>	9.93 <i>0.391</i>	10.18 <i>0.401</i>	10.44 <i>0.411</i>	0.89 <i>0.035</i>	10.06 <i>0.396</i>	18.70
DB10-19	10.00 <i>0.394</i>	20.00 <i>0.787</i>	12.50 <i>0.492</i>	12.75 <i>0.502</i>	13.01 <i>0.512</i>	1.07 <i>0.042</i>	12.63 <i>0.497</i>	28.50

Indicates item not stocked at time of printing - Please enquire for lead time

Page 4 of 5

E&OE Pricing and all details subject to change without notice - Copyright Miniature Bearings Australia Pty Ltd
MBA Size Listings are a guide to sizes only and must not be solely relied on for critical design information.

Pins - Dowel Bushings

Part Number	To Suit Bolt Size mm	Length mm	Rec. Hole Diameter Min mm	Unassembled Diameter (D) Min mm	Unassembled Diameter (D) Max mm	Wall Thickness mm	Rec. Hole Diameter Max mm	Minimum Single Shear kN
	<i>inches</i>	<i>inches</i>	<i>inches</i>	<i>inches</i>	<i>inches</i>	<i>inches</i>	<i>inches</i>	
# DB10-25	10.00 <i>0.394</i>	25.00 <i>0.984</i>	12.50 <i>0.492</i>	12.75 <i>0.502</i>	13.01 <i>0.512</i>	1.07 <i>0.042</i>	12.63 <i>0.497</i>	28.50
# DB10-32	10.00 <i>0.394</i>	30.00 <i>1.181</i>	12.50 <i>0.492</i>	12.75 <i>0.502</i>	13.01 <i>0.512</i>	1.07 <i>0.042</i>	12.63 <i>0.497</i>	28.50
# DB12-25	12.00 <i>0.472</i>	25.00 <i>0.984</i>	15.09 <i>0.594</i>	15.34 <i>0.604</i>	15.60 <i>0.614</i>	1.45 <i>0.057</i>	15.22 <i>0.599</i>	46.50
# DB12-32	12.00 <i>0.472</i>	30.00 <i>1.181</i>	15.09 <i>0.594</i>	15.34 <i>0.604</i>	15.60 <i>0.614</i>	1.45 <i>0.057</i>	15.22 <i>0.599</i>	46.50
# DB12-38	12.00 <i>0.472</i>	40.00 <i>1.575</i>	15.09 <i>0.594</i>	15.34 <i>0.604</i>	15.60 <i>0.614</i>	1.45 <i>0.057</i>	15.22 <i>0.599</i>	46.50

Indicates item not stocked at time of printing - Please enquire for lead time

Page 5 of 5

E&OE Pricing and all details subject to change without notice - Copyright Miniature Bearings Australia Pty Ltd
MBA Size Listings are a guide to sizes only and must not be solely relied on for critical design information.

DISTRIBUTED BY

Distributed By:

