



Pins - Groove

10/4/2018

Indicates item not stocked at time of printing - Please enquire for lead time

E&OE Pricing and all details subject to change without notice - Copyright Miniature Bearings Australia Pty Ltd

MBA Size Listings are a guide to sizes only and must not be solely relied on for critical design information.

INFORMATION

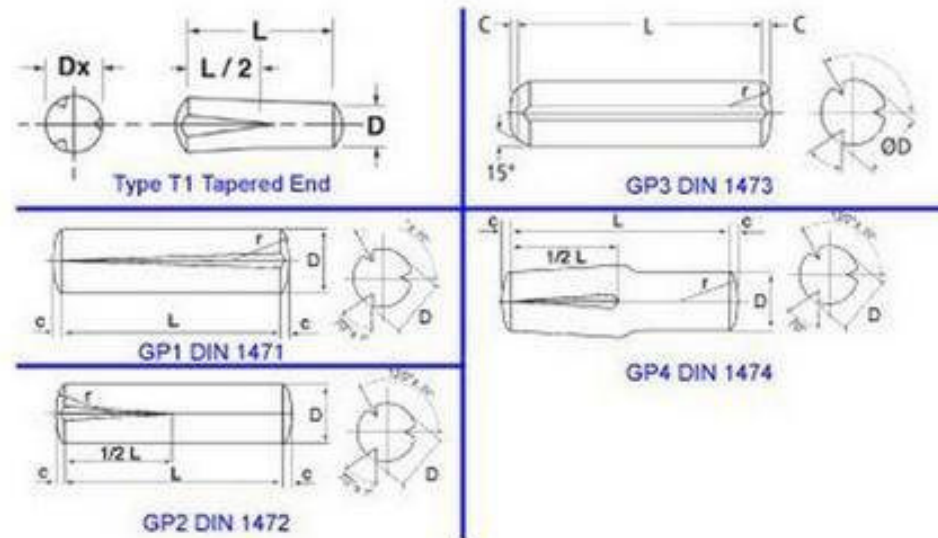
Non threaded press fit fastener that doesn't require a reamed hole as do dowel pins. Commonly used in place of taper pins.

An economic method of fastening without the need for precision drilled and reamed holes.

Recommended hole tolerance is H11.

Total length may be slightly longer than the nominal length.

Expanded portion of the pin is compressed into the hole a few thousandths of an inch wider than the nominal pin diameter. Radial forces lock the pin securely into the drilled hole.



Indicates item not stocked at time of printing - Please enquire for lead time

E&OE Pricing and all details subject to change without notice - Copyright Miniature Bearings Australia Pty Ltd
MBA Size Listings are a guide to sizes only and must not be solely relied on for critical design information.

Pins - Groove

Part Number	Nom. Diameter (D) mm <i>inches</i>	Length (L) mm <i>inches</i>	Expanded. Dia [min / max] (Dx) mm <i>inches</i>	Material	Type
# GP3-0100-0400-S	1.000 <i>0.039</i>	4.00 <i>0.157</i>	N/A	Mild Steel	GP3 Full Length Groove
# GP3-0100-0500-S	1.000 <i>0.039</i>	5.00 <i>0.197</i>	N/A	Mild Steel	GP3 Full Length Groove
# GP3-0100-0600-S	1.000 <i>0.039</i>	6.00 <i>0.236</i>	N/A	Mild Steel	GP3 Full Length Groove
# GP3-0100-0800-S	1.000 <i>0.039</i>	8.00 <i>0.315</i>	N/A	Mild Steel	GP3 Full Length Groove
# GP3-0100-1000-S	1.000 <i>0.039</i>	10.00 <i>0.394</i>	N/A	Mild Steel	GP3 Full Length Groove
# GP3-0120-0400-S	1.191 <i>0.047</i>	4.00 <i>0.157</i>	N/A	Mild Steel	GP3 Full Length Groove
# GP3-0120-0500-S	1.191 <i>0.047</i>	5.00 <i>0.197</i>	N/A	Mild Steel	GP3 Full Length Groove
# GP3-0120-0600-S	1.191 <i>0.047</i>	6.00 <i>0.236</i>	N/A	Mild Steel	GP3 Full Length Groove
# GP3-0120-0800-S	1.191 <i>0.047</i>	8.00 <i>0.315</i>	N/A	Mild Steel	GP3 Full Length Groove
# GPT-0119-0953-3	1.191 <i>0.047</i>	9.53 <i>0.375</i>	1.245 / 1.295	303 Stainless Steel	T1 Tapered End

Indicates item not stocked at time of printing - Please enquire for lead time

Page 4 of 25

E&OE Pricing and all details subject to change without notice - Copyright Miniature Bearings Australia Pty Ltd
MBA Size Listings are a guide to sizes only and must not be solely relied on for critical design information.

Pins - Groove

Part Number	Nom. Diameter (D) mm <i>inches</i>	Length (L) mm <i>inches</i>	Expanded. Dia [min / max] (Dx) mm <i>inches</i>	Material	Type
# GP3-0120-1000-S	1.191 <i>0.047</i>	10.00 <i>0.394</i>	N/A	Mild Steel	GP3 Full Length Groove
# GPT-0119-1270-3	1.191 <i>0.047</i>	12.70 <i>0.500</i>	1.245 / 1.295	303 Stainless Steel	T1 Tapered End
# GPT-0119-1588-3	1.191 <i>0.047</i>	15.88 <i>0.625</i>	1.245 / 1.295	303 Stainless Steel	T1 Tapered End
# GP3-0150-0400-S	1.500 <i>0.059</i>	4.00 <i>0.157</i>	N/A	Mild Steel	GP3 Full Length Groove
# GP3-0150-0500-S	1.500 <i>0.059</i>	5.00 <i>0.197</i>	N/A	Mild Steel	GP3 Full Length Groove
# GP3-0150-0800-S	1.500 <i>0.059</i>	8.00 <i>0.315</i>	N/A	Mild Steel	GP3 Full Length Groove
GP3-0150-1000-S	1.500 <i>0.059</i>	10.00 <i>0.394</i>	N/A	Mild Steel	GP3 Full Length Groove
# GP3-0150-1200-S	1.500 <i>0.059</i>	12.00 <i>0.472</i>	N/A	Mild Steel	GP3 Full Length Groove
# GP3-0150-1400-S	1.500 <i>0.059</i>	14.00 <i>0.551</i>	N/A	Mild Steel	GP3 Full Length Groove
# GP3-0150-1600-S	1.500 <i>0.059</i>	16.00 <i>0.630</i>	N/A	Mild Steel	GP3 Full Length Groove

Indicates item not stocked at time of printing - Please enquire for lead time

Page 5 of 25

E&OE Pricing and all details subject to change without notice - Copyright Miniature Bearings Australia Pty Ltd
MBA Size Listings are a guide to sizes only and must not be solely relied on for critical design information.

Pins - Groove

Part Number	Nom. Diameter (D) mm <i>inches</i>	Length (L) mm <i>inches</i>	Expanded. Dia [min / max] (Dx) mm <i>inches</i>	Material	Type
# GP3-0150-1800-S	1.500 <i>0.059</i>	18.00 <i>0.709</i>	N/A	Mild Steel	GP3 Full Length Groove
# GP3-0150-2000-S	1.500 <i>0.059</i>	20.00 <i>0.787</i>	N/A	Mild Steel	GP3 Full Length Groove
# GP2-0155-0635-Z	1.588 <i>0.063</i>	6.35 <i>0.250</i>	N/A	Zinc Plated Steel	GP2 Parallel Groove
# GP2-0155-0953-Z	1.588 <i>0.063</i>	9.53 <i>0.375</i>	N/A	Zinc Plated Steel	GP2 Parallel Groove
GPT-0159-0953-3	1.588 <i>0.063</i>	9.53 <i>0.375</i>	1.651 / 1.701	303 Stainless Steel	T1 Tapered End
# GP2-0155-1270-Z	1.588 <i>0.063</i>	12.70 <i>0.500</i>	N/A	Zinc Plated Steel	GP2 Parallel Groove
# GPT-0159-1270-3	1.588 <i>0.063</i>	12.70 <i>0.500</i>	1.651 / 1.701	303 Stainless Steel	T1 Tapered End
# GP2-0155-1588-Z	1.588 <i>0.063</i>	15.88 <i>0.625</i>	N/A	Zinc Plated Steel	GP2 Parallel Groove
# GPT-0159-1588-3	1.588 <i>0.063</i>	15.88 <i>0.625</i>	1.651 / 1.701	303 Stainless Steel	T1 Tapered End
# GP2-0155-1905-Z	1.588 <i>0.063</i>	19.05 <i>0.750</i>	N/A	Zinc Plated Steel	GP2 Parallel Groove

Indicates item not stocked at time of printing - Please enquire for lead time

Page 6 of 25

E&OE Pricing and all details subject to change without notice - Copyright Miniature Bearings Australia Pty Ltd
MBA Size Listings are a guide to sizes only and must not be solely relied on for critical design information.

Pins - Groove

Part Number	Nom. Diameter (D) mm <i>inches</i>	Length (L) mm <i>inches</i>	Expanded. Dia [min / max] (Dx) mm <i>inches</i>	Material	Type
# GP2-0155-2223-Z	1.588 <i>0.063</i>	22.23 <i>0.875</i>	N/A	Zinc Plated Steel	GP2 Parallel Groove
# GP2-0155-2540-Z	1.588 <i>0.063</i>	25.40 <i>1.000</i>	N/A	Zinc Plated Steel	GP2 Parallel Groove
# GPT-0198-0953-3	1.984 <i>0.078</i>	9.53 <i>0.375</i>	2.058 / 2.108	303 Stainless Steel	T1 Tapered End
# GPT-0198-1270-3	1.984 <i>0.078</i>	12.70 <i>0.500</i>	2.058 / 2.108	303 Stainless Steel	T1 Tapered End
GPT-0198-1588-3	1.984 <i>0.078</i>	15.88 <i>0.625</i>	2.058 / 2.108	303 Stainless Steel	T1 Tapered End
# GP3-0200-0400-S	2.000 <i>0.079</i>	4.00 <i>0.157</i>	N/A	Mild Steel	GP3 Full Length Groove
# GP3-0200-0500-S	2.000 <i>0.079</i>	5.00 <i>0.197</i>	N/A	Mild Steel	GP3 Full Length Groove
# GP3-0200-0600-S	2.000 <i>0.079</i>	6.00 <i>0.236</i>	N/A	Mild Steel	GP3 Full Length Groove
GP3-0200-0800-S	2.000 <i>0.079</i>	8.00 <i>0.315</i>	N/A	Mild Steel	GP3 Full Length Groove
# GP3-0200-1000-S	2.000 <i>0.079</i>	10.00 <i>0.394</i>	N/A	Mild Steel	GP3 Full Length Groove

Indicates item not stocked at time of printing - Please enquire for lead time

Page 7 of 25

E&OE Pricing and all details subject to change without notice - Copyright Miniature Bearings Australia Pty Ltd
MBA Size Listings are a guide to sizes only and must not be solely relied on for critical design information.

Pins - Groove

Part Number	Nom. Diameter (D) mm <i>inches</i>	Length (L) mm <i>inches</i>	Expanded. Dia [min / max] (Dx) mm <i>inches</i>	Material	Type
GP3-0200-1200-S	2.000 <i>0.079</i>	12.00 <i>0.472</i>	N/A	Mild Steel	GP3 Full Length Groove
# GP3-0200-1400-S	2.000 <i>0.079</i>	14.00 <i>0.551</i>	N/A	Mild Steel	GP3 Full Length Groove
# GP3-0200-1600-S	2.000 <i>0.079</i>	16.00 <i>0.630</i>	N/A	Mild Steel	GP3 Full Length Groove
# GP3-0200-1800-S	2.000 <i>0.079</i>	18.00 <i>0.709</i>	N/A	Mild Steel	GP3 Full Length Groove
# GP3-0200-2000-S	2.000 <i>0.079</i>	20.00 <i>0.787</i>	N/A	Mild Steel	GP3 Full Length Groove
# GP3-0200-2200-S	2.000 <i>0.079</i>	22.00 <i>0.866</i>	N/A	Mild Steel	GP3 Full Length Groove
# GP3-0200-2400-S	2.000 <i>0.079</i>	24.00 <i>0.945</i>	N/A	Mild Steel	GP3 Full Length Groove
# GP3-0200-2600-S	2.000 <i>0.079</i>	26.00 <i>1.024</i>	N/A	Mild Steel	GP3 Full Length Groove
# GP3-0200-2800-S	2.000 <i>0.079</i>	28.00 <i>1.102</i>	N/A	Mild Steel	GP3 Full Length Groove
# GP3-0200-3000-S	2.000 <i>0.079</i>	30.00 <i>1.181</i>	N/A	Mild Steel	GP3 Full Length Groove

Indicates item not stocked at time of printing - Please enquire for lead time

Page 8 of 25

E&OE Pricing and all details subject to change without notice - Copyright Miniature Bearings Australia Pty Ltd
MBA Size Listings are a guide to sizes only and must not be solely relied on for critical design information.

Pins - Groove

Part Number	Nom. Diameter (D) mm <i>inches</i>	Length (L) mm <i>inches</i>	Expanded. Dia [min / max] (Dx) mm <i>inches</i>	Material	Type
# GP2-0236-0635-Z	2.388 <i>0.094</i>	6.35 <i>0.250</i>	N/A	Zinc Plated Steel	GP2 Parallel Groove
# GP2-0236-0953-Z	2.388 <i>0.094</i>	9.53 <i>0.375</i>	N/A	Zinc Plated Steel	GP2 Parallel Groove
# GPT-0238-0953-3	2.388 <i>0.094</i>	9.53 <i>0.375</i>	2.490 / 2.540	303 Stainless Steel	T1 Tapered End
# GP2-0236-1270-Z	2.388 <i>0.094</i>	12.70 <i>0.500</i>	N/A	Zinc Plated Steel	GP2 Parallel Groove
# GPT-0238-1270-3	2.388 <i>0.094</i>	12.70 <i>0.500</i>	2.490 / 2.540	303 Stainless Steel	T1 Tapered End
# GP2-0236-1588-Z	2.388 <i>0.094</i>	15.88 <i>0.625</i>	N/A	Zinc Plated Steel	GP2 Parallel Groove
# GPT-0238-1588-3	2.388 <i>0.094</i>	15.88 <i>0.625</i>	2.490 / 2.540	303 Stainless Steel	T1 Tapered End
# GP2-0236-1905-Z	2.388 <i>0.094</i>	19.05 <i>0.750</i>	N/A	Zinc Plated Steel	GP2 Parallel Groove
# GPT-0238-1905-3	2.388 <i>0.094</i>	19.05 <i>0.750</i>	2.490 / 2.540	303 Stainless Steel	T1 Tapered End
# GP2-0236-2223-Z	2.388 <i>0.094</i>	22.23 <i>0.875</i>	N/A	Zinc Plated Steel	GP2 Parallel Groove

Indicates item not stocked at time of printing - Please enquire for lead time

Page 9 of 25

E&OE Pricing and all details subject to change without notice - Copyright Miniature Bearings Australia Pty Ltd
MBA Size Listings are a guide to sizes only and must not be solely relied on for critical design information.

Pins - Groove

Part Number	Nom. Diameter (D) mm <i>inches</i>	Length (L) mm <i>inches</i>	Expanded. Dia [min / max] (Dx) mm <i>inches</i>	Material	Type
# GP2-0236-2540-Z	2.388 <i>0.094</i>	25.40 <i>1.000</i>	N/A	Zinc Plated Steel	GP2 Parallel Groove
# GP2-0236-3175-Z	2.388 <i>0.094</i>	31.75 <i>1.250</i>	N/A	Zinc Plated Steel	GP2 Parallel Groove
# GP3-0250-0600-S	2.500 <i>0.098</i>	6.00 <i>0.236</i>	N/A	Mild Steel	GP3 Full Length Groove
# GP3-0250-0800-S	2.500 <i>0.098</i>	8.00 <i>0.315</i>	N/A	Mild Steel	GP3 Full Length Groove
# GP3-0250-1000-S	2.500 <i>0.098</i>	10.00 <i>0.394</i>	N/A	Mild Steel	GP3 Full Length Groove
# GP3-0250-1200-S	2.500 <i>0.098</i>	12.00 <i>0.472</i>	N/A	Mild Steel	GP3 Full Length Groove
# GP2-0250-1200-3	2.500 <i>0.098</i>	12.00 <i>0.472</i>	N/A	303 Stainless Steel	GP2 Parallel Groove
# GP3-0250-1400-S	2.500 <i>0.098</i>	14.00 <i>0.551</i>	N/A	Mild Steel	GP3 Full Length Groove
# GP3-0250-1600-S	2.500 <i>0.098</i>	16.00 <i>0.630</i>	N/A	Mild Steel	GP3 Full Length Groove
# GP3-0250-1800-S	2.500 <i>0.098</i>	18.00 <i>0.709</i>	N/A	Mild Steel	GP3 Full Length Groove

Indicates item not stocked at time of printing - Please enquire for lead time

Page 10 of 25

E&OE Pricing and all details subject to change without notice - Copyright Miniature Bearings Australia Pty Ltd
MBA Size Listings are a guide to sizes only and must not be solely relied on for critical design information.

Pins - Groove

Part Number	Nom. Diameter (D) mm <i>inches</i>	Length (L) mm <i>inches</i>	Expanded. Dia [min / max] (Dx) mm <i>inches</i>	Material	Type
# GP3-0250-2000-S	2.500 <i>0.098</i>	20.00 <i>0.787</i>	N/A	Mild Steel	GP3 Full Length Groove
# GP3-0250-2200-S	2.500 <i>0.098</i>	22.00 <i>0.866</i>	N/A	Mild Steel	GP3 Full Length Groove
# GP3-0250-2400-S	2.500 <i>0.098</i>	24.00 <i>0.945</i>	N/A	Mild Steel	GP3 Full Length Groove
# GP3-0250-2600-S	2.500 <i>0.098</i>	26.00 <i>1.024</i>	N/A	Mild Steel	GP3 Full Length Groove
# GP3-0250-2800-S	2.500 <i>0.098</i>	28.00 <i>1.102</i>	N/A	Mild Steel	GP3 Full Length Groove
# GP3-0250-3000-S	2.500 <i>0.098</i>	30.00 <i>1.181</i>	N/A	Mild Steel	GP3 Full Length Groove
GP3-0300-0600-S	3.000 <i>0.118</i>	6.00 <i>0.236</i>	N/A	Mild Steel	GP3 Full Length Groove
# GP3-0300-0800-S	3.000 <i>0.118</i>	8.00 <i>0.315</i>	N/A	Mild Steel	GP3 Full Length Groove
# GP2-0300-0800-3	3.000 <i>0.118</i>	8.00 <i>0.315</i>		303 Stainless Steel	GP2 Parallel Groove
# GP3-0300-1000-S	3.000 <i>0.118</i>	10.00 <i>0.394</i>	N/A	Mild Steel	GP3 Full Length Groove

Indicates item not stocked at time of printing - Please enquire for lead time

Page 11 of 25

E&OE Pricing and all details subject to change without notice - Copyright Miniature Bearings Australia Pty Ltd
MBA Size Listings are a guide to sizes only and must not be solely relied on for critical design information.

Pins - Groove

Part Number	Nom. Diameter (D) mm <i>inches</i>	Length (L) mm <i>inches</i>	Expanded. Dia [min / max] (Dx) mm <i>inches</i>	Material	Type
# GP3-0300-1200-S	3.000 <i>0.118</i>	12.00 <i>0.472</i>	N/A	Mild Steel	GP3 Full Length Groove
# GP2-0300-1200-3	3.000 <i>0.118</i>	12.00 <i>0.472</i>	9999.0 <i>393.661</i>	303 Stainless Steel	GP2 Parallel Groove
# GP3-0300-1400-S	3.000 <i>0.118</i>	14.00 <i>0.551</i>	N/A	Mild Steel	GP3 Full Length Groove
# GP3-0300-1600-S	3.000 <i>0.118</i>	16.00 <i>0.630</i>	N/A	Mild Steel	GP3 Full Length Groove
# GP3-0300-1800-S	3.000 <i>0.118</i>	18.00 <i>0.709</i>	N/A	Mild Steel	GP3 Full Length Groove
# GP3-0300-2000-S	3.000 <i>0.118</i>	20.00 <i>0.787</i>	N/A	Mild Steel	GP3 Full Length Groove
# GP3-0300-2200-S	3.000 <i>0.118</i>	22.00 <i>0.866</i>	N/A	Mild Steel	GP3 Full Length Groove
GP3-0300-2400-S	3.000 <i>0.118</i>	24.00 <i>0.945</i>	N/A	Mild Steel	GP3 Full Length Groove
# GP3-0300-2600-S	3.000 <i>0.118</i>	26.00 <i>1.024</i>	N/A	Mild Steel	GP3 Full Length Groove
# GP3-0300-2800-S	3.000 <i>0.118</i>	28.00 <i>1.102</i>	N/A	Mild Steel	GP3 Full Length Groove

Indicates item not stocked at time of printing - Please enquire for lead time

Page 12 of 25

E&OE Pricing and all details subject to change without notice - Copyright Miniature Bearings Australia Pty Ltd
MBA Size Listings are a guide to sizes only and must not be solely relied on for critical design information.

Pins - Groove

Part Number	Nom. Diameter (D) mm <i>inches</i>	Length (L) mm <i>inches</i>	Expanded. Dia [min / max] (Dx) mm <i>inches</i>	Material	Type
# GP3-0300-3000-S	3.000 <i>0.118</i>	30.00 <i>1.181</i>	N/A	Mild Steel	GP3 Full Length Groove
# GP2-0312-0635-Z	3.175 <i>0.125</i>	6.35 <i>0.250</i>	N/A	Zinc Plated Steel	GP2 Parallel Groove
# GP2-0312-0953-Z	3.175 <i>0.125</i>	9.53 <i>0.375</i>	N/A	Zinc Plated Steel	GP2 Parallel Groove
# GP2-0312-1270-Z	3.175 <i>0.125</i>	12.70 <i>0.500</i>	N/A	Zinc Plated Steel	GP2 Parallel Groove
GPT-0318-1270-3	3.175 <i>0.125</i>	12.70 <i>0.500</i>	3.328 / 3.378	303 Stainless Steel	T1 Tapered End
# GP2-0312-1588-Z	3.175 <i>0.125</i>	15.88 <i>0.625</i>	N/A	Zinc Plated Steel	GP2 Parallel Groove
# GPT-0318-1588-3	3.175 <i>0.125</i>	15.88 <i>0.625</i>	3.328 / 3.378	303 Stainless Steel	T1 Tapered End
# GP2-0312-1905-Z	3.175 <i>0.125</i>	19.05 <i>0.750</i>	N/A	Zinc Plated Steel	GP2 Parallel Groove
# GPT-0318-1905-3	3.175 <i>0.125</i>	19.05 <i>0.750</i>	3.328 / 3.378	303 Stainless Steel	T1 Tapered End
# GP2-0312-2223-Z	3.175 <i>0.125</i>	22.23 <i>0.875</i>	N/A	Zinc Plated Steel	GP2 Parallel Groove

Indicates item not stocked at time of printing - Please enquire for lead time

Page 13 of 25

E&OE Pricing and all details subject to change without notice - Copyright Miniature Bearings Australia Pty Ltd
MBA Size Listings are a guide to sizes only and must not be solely relied on for critical design information.

Pins - Groove

Part Number	Nom. Diameter (D) mm <i>inches</i>	Length (L) mm <i>inches</i>	Expanded. Dia [min / max] (Dx) mm <i>inches</i>	Material	Type
# GP2-0312-2540-Z	3.175 <i>0.125</i>	25.40 <i>1.000</i>	N/A	Zinc Plated Steel	GP2 Parallel Groove
# GPT-0318-2540-3	3.175 <i>0.125</i>	25.40 <i>1.000</i>	3.328 / 3.378	303 Stainless Steel	T1 Tapered End
# GP2-0312-3175-Z	3.175 <i>0.125</i>	31.75 <i>1.250</i>	N/A	Zinc Plated Steel	GP2 Parallel Groove
# GP2-0312-3810-Z	3.175 <i>0.125</i>	38.10 <i>1.500</i>	N/A	Zinc Plated Steel	GP2 Parallel Groove
# GP2-0391-0953-Z	3.962 <i>0.156</i>	9.53 <i>0.375</i>	N/A	Zinc Plated Steel	GP2 Parallel Groove
# GP2-0391-1270-Z	3.962 <i>0.156</i>	12.70 <i>0.500</i>	N/A	Zinc Plated Steel	GP2 Parallel Groove
# GPT-0397-1270-3	3.962 <i>0.156</i>	12.70 <i>0.500</i>	4.141 / 4.191	303 Stainless Steel	T1 Tapered End
# GP2-0391-1588-Z	3.962 <i>0.156</i>	15.88 <i>0.625</i>	N/A	Zinc Plated Steel	GP2 Parallel Groove
# GPT-0397-1588-3	3.962 <i>0.156</i>	15.88 <i>0.625</i>	4.141 / 4.191	303 Stainless Steel	T1 Tapered End
# GP2-0391-1905-Z	3.962 <i>0.156</i>	19.05 <i>0.750</i>	N/A	Zinc Plated Steel	GP2 Parallel Groove

Indicates item not stocked at time of printing - Please enquire for lead time

Page 14 of 25

E&OE Pricing and all details subject to change without notice - Copyright Miniature Bearings Australia Pty Ltd
MBA Size Listings are a guide to sizes only and must not be solely relied on for critical design information.

Pins - Groove

Part Number	Nom. Diameter (D) mm <i>inches</i>	Length (L) mm <i>inches</i>	Expanded. Dia [min / max] (Dx) mm <i>inches</i>	Material	Type
# GPT-0397-1905-3	3.962 <i>0.156</i>	19.05 <i>0.750</i>	4.141 / 4.191	303 Stainless Steel	T1 Tapered End
# GP2-0391-2223-Z	3.962 <i>0.156</i>	22.23 <i>0.875</i>	N/A	Zinc Plated Steel	GP2 Parallel Groove
# GP2-0391-2540-Z	3.962 <i>0.156</i>	25.40 <i>1.000</i>	N/A	Zinc Plated Steel	GP2 Parallel Groove
# GPT-0397-2540-3	3.962 <i>0.156</i>	25.40 <i>1.000</i>	4.141 / 4.191	303 Stainless Steel	T1 Tapered End
# GP2-0391-3175-Z	3.962 <i>0.156</i>	31.75 <i>1.250</i>	N/A	Zinc Plated Steel	GP2 Parallel Groove
# GP2-0391-3810-Z	3.962 <i>0.156</i>	38.10 <i>1.500</i>	N/A	Zinc Plated Steel	GP2 Parallel Groove
# GP2-0391-4445-Z	3.962 <i>0.156</i>	44.45 <i>1.750</i>	N/A	Zinc Plated Steel	GP2 Parallel Groove
# GP2-0391-5080-Z	3.962 <i>0.156</i>	50.80 <i>2.000</i>	N/A	Zinc Plated Steel	GP2 Parallel Groove
# GP3-0400-0600-S	4.000 <i>0.157</i>	6.00 <i>0.236</i>	N/A	Mild Steel	GP3 Full Length Groove
# GP3-0400-0800-S	4.000 <i>0.157</i>	8.00 <i>0.315</i>	N/A	Mild Steel	GP3 Full Length Groove

Indicates item not stocked at time of printing - Please enquire for lead time

Page 15 of 25

E&OE Pricing and all details subject to change without notice - Copyright Miniature Bearings Australia Pty Ltd

MBA Size Listings are a guide to sizes only and must not be solely relied on for critical design information.

Pins - Groove

Part Number	Nom. Diameter (D) mm <i>inches</i>	Length (L) mm <i>inches</i>	Expanded. Dia [min / max] (Dx) mm <i>inches</i>	Material	Type
# GP3-0400-1000-S	4.000 <i>0.157</i>	10.00 <i>0.394</i>	N/A	Mild Steel	GP3 Full Length Groove
# GP3-0400-1200-S	4.000 <i>0.157</i>	12.00 <i>0.472</i>	N/A	Mild Steel	GP3 Full Length Groove
# GP3-0400-1400-S	4.000 <i>0.157</i>	14.00 <i>0.551</i>	N/A	Mild Steel	GP3 Full Length Groove
# GP3-0400-1600-S	4.000 <i>0.157</i>	16.00 <i>0.630</i>	N/A	Mild Steel	GP3 Full Length Groove
# GP3-0400-1800-S	4.000 <i>0.157</i>	18.00 <i>0.709</i>	N/A	Mild Steel	GP3 Full Length Groove
# GP3-0400-2000-S	4.000 <i>0.157</i>	20.00 <i>0.787</i>	N/A	Mild Steel	GP3 Full Length Groove
# GP3-0400-2200-S	4.000 <i>0.157</i>	22.00 <i>0.866</i>	N/A	Mild Steel	GP3 Full Length Groove
# GP3-0400-2400-S	4.000 <i>0.157</i>	24.00 <i>0.945</i>	N/A	Mild Steel	GP3 Full Length Groove
# GP3-0400-2600-S	4.000 <i>0.157</i>	26.00 <i>1.024</i>	N/A	Mild Steel	GP3 Full Length Groove
# GP3-0400-2800-S	4.000 <i>0.157</i>	28.00 <i>1.102</i>	N/A	Mild Steel	GP3 Full Length Groove

Indicates item not stocked at time of printing - Please enquire for lead time

Page 16 of 25

E&OE Pricing and all details subject to change without notice - Copyright Miniature Bearings Australia Pty Ltd
MBA Size Listings are a guide to sizes only and must not be solely relied on for critical design information.

Pins - Groove

Part Number	Nom. Diameter (D) mm <i>inches</i>	Length (L) mm <i>inches</i>	Expanded. Dia [min / max] (Dx) mm <i>inches</i>	Material	Type
GP3-0400-3000-3	4.000 <i>0.157</i>	30.00 <i>1.181</i>	N/A	303 Stainless Steel	GP3 Full Length Groove
# GP3-0400-3000-S	4.000 <i>0.157</i>	30.00 <i>1.181</i>	N/A	Mild Steel	GP3 Full Length Groove
GP3-0400-3200-S	4.000 <i>0.157</i>	32.00 <i>1.260</i>	N/A	Mild Steel	GP3 Full Length Groove
GP3-0400-3500-S	4.000 <i>0.157</i>	35.00 <i>1.378</i>	N/A	Mild Steel	GP3 Full Length Groove
GP3-0400-4000-S	4.000 <i>0.157</i>	40.00 <i>1.575</i>	N/A	Mild Steel	GP3 Full Length Groove
GP3-0400-4500-S	4.000 <i>0.157</i>	45.00 <i>1.772</i>	N/A	Mild Steel	GP3 Full Length Groove
# GP3-0400-5000-S	4.000 <i>0.157</i>	50.00 <i>1.969</i>	N/A	Mild Steel	GP3 Full Length Groove
# GP2-0457-0953-Z	4.762 <i>0.187</i>	9.53 <i>0.375</i>	N/A	Zinc Plated Steel	GP2 Parallel Groove
# GP2-0457-1270-Z	4.762 <i>0.187</i>	12.70 <i>0.500</i>	N/A	Zinc Plated Steel	GP2 Parallel Groove
# GP2-0457-1588-Z	4.762 <i>0.187</i>	15.88 <i>0.625</i>	N/A	Zinc Plated Steel	GP2 Parallel Groove

Indicates item not stocked at time of printing - Please enquire for lead time

Page 17 of 25

E&OE Pricing and all details subject to change without notice - Copyright Miniature Bearings Australia Pty Ltd

MBA Size Listings are a guide to sizes only and must not be solely relied on for critical design information.

Pins - Groove

Part Number	Nom. Diameter (D) mm <i>inches</i>	Length (L) mm <i>inches</i>	Expanded. Dia [min / max] (Dx) mm <i>inches</i>	Material	Type
# GP2-0457-1905-Z	4.762 <i>0.187</i>	19.05 <i>0.750</i>	N/A	Zinc Plated Steel	GP2 Parallel Groove
# GP2-0457-2223-Z	4.762 <i>0.187</i>	22.23 <i>0.875</i>	N/A	Zinc Plated Steel	GP2 Parallel Groove
# GP2-0457-2540-Z	4.762 <i>0.187</i>	25.40 <i>1.000</i>	N/A	Zinc Plated Steel	GP2 Parallel Groove
# GP2-0457-3175-Z	4.762 <i>0.187</i>	31.75 <i>1.250</i>	N/A	Zinc Plated Steel	GP2 Parallel Groove
# GP2-0457-3810-Z	4.762 <i>0.187</i>	38.10 <i>1.500</i>	N/A	Zinc Plated Steel	GP2 Parallel Groove
# GP2-0457-4445-Z	4.762 <i>0.187</i>	44.45 <i>1.750</i>	N/A	Zinc Plated Steel	GP2 Parallel Groove
# GP2-0457-5080-Z	4.762 <i>0.187</i>	50.80 <i>2.000</i>	N/A	Zinc Plated Steel	GP2 Parallel Groove
# GP3-0500-0800-S	5.000 <i>0.197</i>	8.00 <i>0.315</i>	N/A	Mild Steel	GP3 Full Length Groove
# GP3-0500-1000-S	5.000 <i>0.197</i>	10.00 <i>0.394</i>	N/A	Mild Steel	GP3 Full Length Groove
# GP3-0500-1200-S	5.000 <i>0.197</i>	12.00 <i>0.472</i>	N/A	Mild Steel	GP3 Full Length Groove

Indicates item not stocked at time of printing - Please enquire for lead time

Page 18 of 25

E&OE Pricing and all details subject to change without notice - Copyright Miniature Bearings Australia Pty Ltd

MBA Size Listings are a guide to sizes only and must not be solely relied on for critical design information.

Pins - Groove

Part Number	Nom. Diameter (D) mm <i>inches</i>	Length (L) mm <i>inches</i>	Expanded. Dia [min / max] (Dx) mm <i>inches</i>	Material	Type
# GP3-0500-1400-S	5.000 <i>0.197</i>	14.00 <i>0.551</i>	N/A	Mild Steel	GP3 Full Length Groove
# GP3-0500-1600-S	5.000 <i>0.197</i>	16.00 <i>0.630</i>	N/A	Mild Steel	GP3 Full Length Groove
# GP3-0500-1800-S	5.000 <i>0.197</i>	18.00 <i>0.709</i>	N/A	Mild Steel	GP3 Full Length Groove
# GP3-0500-2000-S	5.000 <i>0.197</i>	20.00 <i>0.787</i>	N/A	Mild Steel	GP3 Full Length Groove
# GP3-0500-2200-S	5.000 <i>0.197</i>	22.00 <i>0.866</i>	N/A	Mild Steel	GP3 Full Length Groove
# GP3-0500-2400-S	5.000 <i>0.197</i>	24.00 <i>0.945</i>	N/A	Mild Steel	GP3 Full Length Groove
# GP3-0500-2600-S	5.000 <i>0.197</i>	26.00 <i>1.024</i>	N/A	Mild Steel	GP3 Full Length Groove
# GP3-0500-2800-S	5.000 <i>0.197</i>	28.00 <i>1.102</i>	N/A	Mild Steel	GP3 Full Length Groove
# GP3-0500-3000-S	5.000 <i>0.197</i>	30.00 <i>1.181</i>	N/A	Mild Steel	GP3 Full Length Groove
# GP3-0500-3200-S	5.000 <i>0.197</i>	32.00 <i>1.260</i>	N/A	Mild Steel	GP3 Full Length Groove

Indicates item not stocked at time of printing - Please enquire for lead time

Page 19 of 25

E&OE Pricing and all details subject to change without notice - Copyright Miniature Bearings Australia Pty Ltd
MBA Size Listings are a guide to sizes only and must not be solely relied on for critical design information.

Pins - Groove

Part Number	Nom. Diameter (D) mm <i>inches</i>	Length (L) mm <i>inches</i>	Expanded. Dia [min / max] (Dx) mm <i>inches</i>	Material	Type
# GP3-0500-3600-S	5.000 <i>0.197</i>	36.00 <i>1.417</i>	N/A	Mild Steel	GP3 Full Length Groove
# GP3-0500-4000-S	5.000 <i>0.197</i>	40.00 <i>1.575</i>	N/A	Mild Steel	GP3 Full Length Groove
# GP3-0500-4500-S	5.000 <i>0.197</i>	45.00 <i>1.772</i>	N/A	Mild Steel	GP3 Full Length Groove
# GP3-0500-5000-S	5.000 <i>0.197</i>	50.00 <i>1.969</i>	N/A	Mild Steel	GP3 Full Length Groove
# GP3-0600-0800-S	6.000 <i>0.236</i>	8.00 <i>0.315</i>	N/A	Mild Steel	GP3 Full Length Groove
# GP3-0600-1000-S	6.000 <i>0.236</i>	10.00 <i>0.394</i>	N/A	Mild Steel	GP3 Full Length Groove
# GP3-0600-1200-S	6.000 <i>0.236</i>	12.00 <i>0.472</i>	N/A	Mild Steel	GP3 Full Length Groove
# GP3-0600-1400-S	6.000 <i>0.236</i>	14.00 <i>0.551</i>	N/A	Mild Steel	GP3 Full Length Groove
# GP3-0600-1600-S	6.000 <i>0.236</i>	16.00 <i>0.630</i>	N/A	Mild Steel	GP3 Full Length Groove
# GP3-0600-1800-S	6.000 <i>0.236</i>	18.00 <i>0.709</i>	N/A	Mild Steel	GP3 Full Length Groove

Indicates item not stocked at time of printing - Please enquire for lead time

Page 20 of 25

E&OE Pricing and all details subject to change without notice - Copyright Miniature Bearings Australia Pty Ltd
MBA Size Listings are a guide to sizes only and must not be solely relied on for critical design information.

Pins - Groove

Part Number	Nom. Diameter (D) mm <i>inches</i>	Length (L) mm <i>inches</i>	Expanded. Dia [min / max] (Dx) mm <i>inches</i>	Material	Type
# GP3-0600-2000-S	6.000 <i>0.236</i>	20.00 <i>0.787</i>	N/A	Mild Steel	GP3 Full Length Groove
# GP3-0600-2200-S	6.000 <i>0.236</i>	22.00 <i>0.866</i>	N/A	Mild Steel	GP3 Full Length Groove
# GP3-0600-2400-S	6.000 <i>0.236</i>	24.00 <i>0.945</i>	N/A	Mild Steel	GP3 Full Length Groove
# GP3-0600-2600-S	6.000 <i>0.236</i>	26.00 <i>1.024</i>	N/A	Mild Steel	GP3 Full Length Groove
# GP3-0600-2800-S	6.000 <i>0.236</i>	28.00 <i>1.102</i>	N/A	Mild Steel	GP3 Full Length Groove
# GP3-0600-3000-S	6.000 <i>0.236</i>	30.00 <i>1.181</i>	N/A	Mild Steel	GP3 Full Length Groove
# GP3-0600-3200-S	6.000 <i>0.236</i>	32.00 <i>1.260</i>	N/A	Mild Steel	GP3 Full Length Groove
GP3-0600-3600-S	6.000 <i>0.236</i>	36.00 <i>1.417</i>	N/A	Mild Steel	GP3 Full Length Groove
GP3-0600-4000-S	6.000 <i>0.236</i>	40.00 <i>1.575</i>	N/A	Mild Steel	GP3 Full Length Groove
GP3-0600-4500-S	6.000 <i>0.236</i>	45.00 <i>1.772</i>	N/A	Mild Steel	GP3 Full Length Groove

Indicates item not stocked at time of printing - Please enquire for lead time

Page 21 of 25

E&OE Pricing and all details subject to change without notice - Copyright Miniature Bearings Australia Pty Ltd
MBA Size Listings are a guide to sizes only and must not be solely relied on for critical design information.

Pins - Groove

Part Number	Nom. Diameter (D) mm <i>inches</i>	Length (L) mm <i>inches</i>	Expanded. Dia [min / max] (Dx) mm <i>inches</i>	Material	Type
# GP3-0600-5000-S	6.000 <i>0.236</i>	50.00 <i>1.969</i>	N/A	Mild Steel	GP3 Full Length Groove
# GP3-0600-5500-S	6.000 <i>0.236</i>	55.00 <i>2.165</i>	N/A	Mild Steel	GP3 Full Length Groove
# GP3-0600-6000-S	6.000 <i>0.236</i>	60.00 <i>2.362</i>	N/A	Mild Steel	GP3 Full Length Groove
# DL-160RS	6.350 <i>0.250</i>	25.400 <i>1.000</i>		Low carbon steel	GP1
# DL-161RS	6.350 <i>0.250</i>	31.750 <i>1.250</i>		Low carbon steel	GP1
# DL-162RS	6.350 <i>0.250</i>	38.100 <i>1.500</i>		Low carbon steel	GP1
# DL-164RS	6.350 <i>0.250</i>	50.800 <i>2.000</i>		Low carbon steel	GP1
# DL-165RS	6.350 <i>0.250</i>	63.500 <i>2.500</i>		Low carbon steel	GP1
# GP3-0800-1000-S	8.000 <i>0.315</i>	10.00 <i>0.394</i>	N/A	Mild Steel	GP3 Full Length Groove
# GP3-0800-1200-S	8.000 <i>0.315</i>	12.00 <i>0.472</i>	N/A	Mild Steel	GP3 Full Length Groove

Indicates item not stocked at time of printing - Please enquire for lead time

Page 22 of 25

E&OE Pricing and all details subject to change without notice - Copyright Miniature Bearings Australia Pty Ltd
MBA Size Listings are a guide to sizes only and must not be solely relied on for critical design information.

Pins - Groove

Part Number	Nom. Diameter (D) mm <i>inches</i>	Length (L) mm <i>inches</i>	Expanded. Dia [min / max] (Dx) mm <i>inches</i>	Material	Type
# GP3-0800-1400-S	8.000 <i>0.315</i>	14.00 <i>0.551</i>	N/A	Mild Steel	GP3 Full Length Groove
# GP3-0800-1600-S	8.000 <i>0.315</i>	16.00 <i>0.630</i>	N/A	Mild Steel	GP3 Full Length Groove
# GP3-0800-1800-S	8.000 <i>0.315</i>	18.00 <i>0.709</i>	N/A	Mild Steel	GP3 Full Length Groove
# GP3-0800-2000-S	8.000 <i>0.315</i>	20.00 <i>0.787</i>	N/A	Mild Steel	GP3 Full Length Groove
# GP3-0800-2200-S	8.000 <i>0.315</i>	22.00 <i>0.866</i>	N/A	Mild Steel	GP3 Full Length Groove
# GP3-0800-2400-S	8.000 <i>0.315</i>	24.00 <i>0.945</i>	N/A	Mild Steel	GP3 Full Length Groove
# GP3-0800-2600-S	8.000 <i>0.315</i>	26.00 <i>1.024</i>	N/A	Mild Steel	GP3 Full Length Groove
# GP3-0800-2800-S	8.000 <i>0.315</i>	28.00 <i>1.102</i>	N/A	Mild Steel	GP3 Full Length Groove
# GP3-0800-3000-S	8.000 <i>0.315</i>	30.00 <i>1.181</i>	N/A	Mild Steel	GP3 Full Length Groove
# GP3-0800-3200-S	8.000 <i>0.315</i>	32.00 <i>1.260</i>	N/A	Mild Steel	GP3 Full Length Groove

Indicates item not stocked at time of printing - Please enquire for lead time

Page 23 of 25

E&OE Pricing and all details subject to change without notice - Copyright Miniature Bearings Australia Pty Ltd
MBA Size Listings are a guide to sizes only and must not be solely relied on for critical design information.

Pins - Groove

Part Number	Nom. Diameter (D) mm <i>inches</i>	Length (L) mm <i>inches</i>	Expanded. Dia [min / max] (Dx) mm <i>inches</i>	Material	Type
# GP3-0800-3600-S	8.000 <i>0.315</i>	36.00 <i>1.417</i>	N/A	Mild Steel	GP3 Full Length Groove
GP3-0800-4000-S	8.000 <i>0.315</i>	40.00 <i>1.575</i>	N/A	Mild Steel	GP3 Full Length Groove
# GP3-0800-4500-S	8.000 <i>0.315</i>	45.00 <i>1.772</i>	N/A	Mild Steel	GP3 Full Length Groove
# GP3-0800-5000-S	8.000 <i>0.315</i>	50.00 <i>1.969</i>	N/A	Mild Steel	GP3 Full Length Groove
# GP3-0800-5500-S	8.000 <i>0.315</i>	55.00 <i>2.165</i>	N/A	Mild Steel	GP3 Full Length Groove
# GP3-0800-6000-S	8.000 <i>0.315</i>	60.00 <i>2.362</i>	N/A	Mild Steel	GP3 Full Length Groove
# GP3-0800-6500-S	8.000 <i>0.315</i>	65.00 <i>2.559</i>	N/A	Mild Steel	GP3 Full Length Groove
# GP3-0800-7000-S	8.000 <i>0.315</i>	70.00 <i>2.756</i>	N/A	Mild Steel	GP3 Full Length Groove
# DL-180RS	9.525 <i>0.375</i>	25.40 <i>1.000</i>		Low carbon steel	GP1
# DL-181RS	9.525 <i>0.375</i>	31.75 <i>1.250</i>		Low carbon steel	GP1

Indicates item not stocked at time of printing - Please enquire for lead time

Page 24 of 25

E&OE Pricing and all details subject to change without notice - Copyright Miniature Bearings Australia Pty Ltd
MBA Size Listings are a guide to sizes only and must not be solely relied on for critical design information.

Pins - Groove

Part Number	Nom. Diameter (D) mm	Length (L) mm	Expanded. Dia [min / max] (Dx) mm	Material	Type
	<i>inches</i>	<i>inches</i>	<i>inches</i>		
# DL-185RS	9.525 <i>0.375</i>	63.50 <i>2.500</i>		Low carbon steel	GP1
# DL-196RS	12.700 <i>0.500</i>	76.20 <i>3.000</i>		Low carbon steel	GP1

Indicates item not stocked at time of printing - Please enquire for lead time

E&OE Pricing and all details subject to change without notice - Copyright Miniature Bearings Australia Pty Ltd
MBA Size Listings are a guide to sizes only and must not be solely relied on for critical design information.

DISTRIBUTED BY

Distributed By:

