



Pins - Pull - Tee Handle - Aluminium and Steel

10/4/2018

Indicates item not stocked at time of printing - Please enquire for lead time

E&OE Pricing and all details subject to change without notice - Copyright Miniature Bearings Australia Pty Ltd

MBA Size Listings are a guide to sizes only and must not be solely relied on for critical design information.

Page 1 of 4

INFORMATION

Spring loaded pull pins allow you to quickly retract and engage the plunger for locating, fastening and quick change operations.

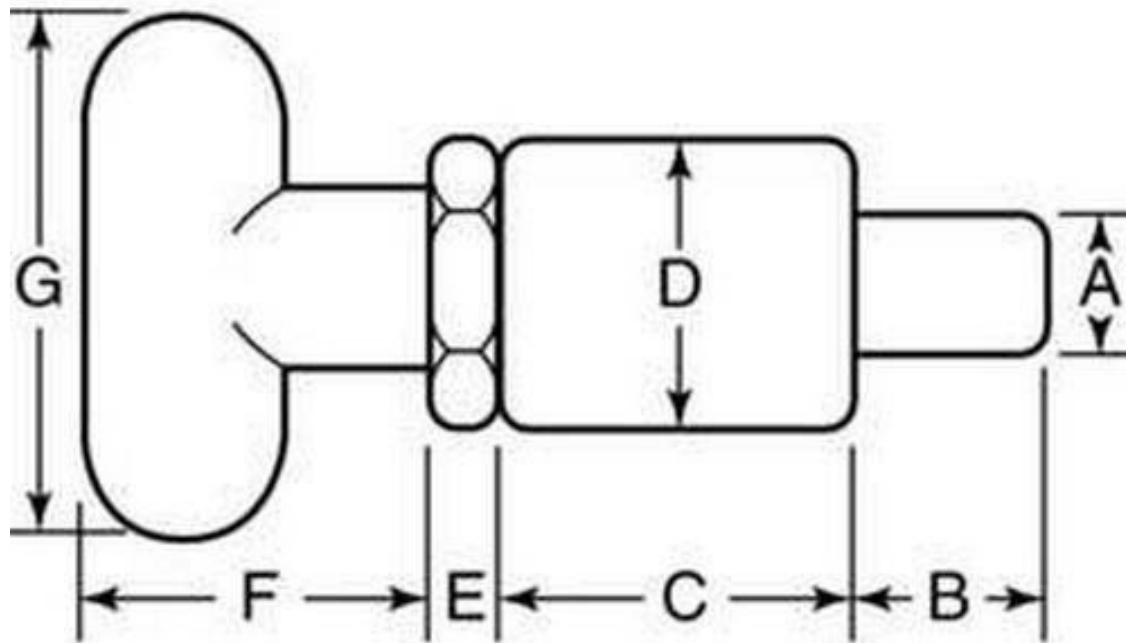
Two part assembly includes a barrel and a plunger assembly. The plunger assembly screws into the housing. The housing is designed to be welded into place for strength.

Pulling on the handle of the plunger assembly retracts the plunger into the housing. Releasing the handle allows the spring loaded plunger to extend.

Handles are black plastic.

Aluminium housing 6061-T6, Steel pin 12L15.

Pull up force approx 2.2kg. Lockout style (indicated in tables) allows you to pull and rotate handle 1/4 turn to lock plunger in retracted position.



Indicates item not stocked at time of printing - Please enquire for lead time

E&OE Pricing and all details subject to change without notice - Copyright Miniature Bearings Australia Pty Ltd

MBA Size Listings are a guide to sizes only and must not be solely relied on for critical design information.

Pins - Pull - Tee Handle - Aluminium and Steel

Part Number	Nominal Pin Diameter (A) mm	Pin Length (B)	Body Length (C) mm	Body Diameter (D) mm	Nut Height (E) mm	Knob Height (F) mm	Type mm	Knob Length (G)
	<i>inches</i>	<i>inches</i>	<i>inches</i>	<i>inches</i>	<i>inches</i>	<i>inches</i>	<i>inches</i>	
BSD-50LOALRS	6.350 <i>0.250</i>	14.288 <i>0.563</i>	38.100 <i>1.500</i>	25.400 <i>1.000</i>	4.763 <i>0.188</i>	36.513 <i>1.438</i>	Lockout	57.150
# BSD-50ALRS	6.350 <i>0.250</i>	14.288 <i>0.563</i>	38.100 <i>1.500</i>	25.400 <i>1.000</i>	4.763 <i>0.188</i>	36.513 <i>1.438</i>	Non Lockout	57.150
# BSD-55LOALRS	9.525 <i>0.375</i>	14.288 <i>0.563</i>	38.100 <i>1.500</i>	25.400 <i>1.000</i>	4.763 <i>0.188</i>	36.513 <i>1.438</i>	Lockout	57.150
# BSD-55ALRS	9.525 <i>0.375</i>	14.288 <i>0.563</i>	38.100 <i>1.500</i>	25.400 <i>1.000</i>	4.763 <i>0.188</i>	36.513 <i>1.438</i>	Non Lockout	57.150
# BSD-60LOALRS	12.700 <i>0.500</i>	14.288 <i>0.563</i>	38.100 <i>1.500</i>	25.400 <i>1.000</i>	4.763 <i>0.188</i>	36.513 <i>1.438</i>	Lockout	57.150
# BSD-60ALRS	12.700 <i>0.500</i>	14.288 <i>0.563</i>	38.100 <i>1.500</i>	25.400 <i>1.000</i>	4.763 <i>0.188</i>	36.513 <i>1.438</i>	Non Lockout	57.150
# BSD-65LOALRS	12.700 <i>0.500</i>	14.288 <i>0.563</i>	57.150 <i>2.250</i>	25.400 <i>1.000</i>	4.763 <i>0.188</i>	36.513 <i>1.438</i>	Lockout	57.150
# BSD-65ALRS	12.700 <i>0.500</i>	14.288 <i>0.563</i>	57.150 <i>2.250</i>	25.400 <i>1.000</i>	4.763 <i>0.188</i>	36.513 <i>1.438</i>	Non Lockout	57.150
# BSD-70LOALRS	15.875 <i>0.625</i>	14.288 <i>0.563</i>	57.150 <i>2.250</i>	25.400 <i>1.000</i>	4.763 <i>0.188</i>	36.513 <i>1.438</i>	Lockout	57.150
# BSD-70ALRS	15.875 <i>0.625</i>	14.288 <i>0.563</i>	57.150 <i>2.250</i>	25.400 <i>1.000</i>	4.763 <i>0.188</i>	36.513 <i>1.438</i>	Non Lockout	57.150

Indicates item not stocked at time of printing - Please enquire for lead time

Page 4 of 4

E&OE Pricing and all details subject to change without notice - Copyright Miniature Bearings Australia Pty Ltd
MBA Size Listings are a guide to sizes only and must not be solely relied on for critical design information.

DISTRIBUTED BY

Distributed By:

