



Plungers - Ball - Push Fit - 303 Stainless Steel

10/4/2018

Indicates item not stocked at time of printing - Please enquire for lead time

E&OE Pricing and all details subject to change without notice - Copyright Miniature Bearings Australia Pty Ltd

MBA Size Listings are a guide to sizes only and must not be solely relied on for critical design information.

Page 1 of 6

INFORMATION

Unthreaded

Body BSD: Pom (Delrin) BSD-SS: W.-Nr 1.4305 (303) Stainless Steel.

Sleeve BSD: Thermoplastic BSD-SS: Stainless Steel.

Ball: W.-Nr 1.4034 (420) Stainless Steel.

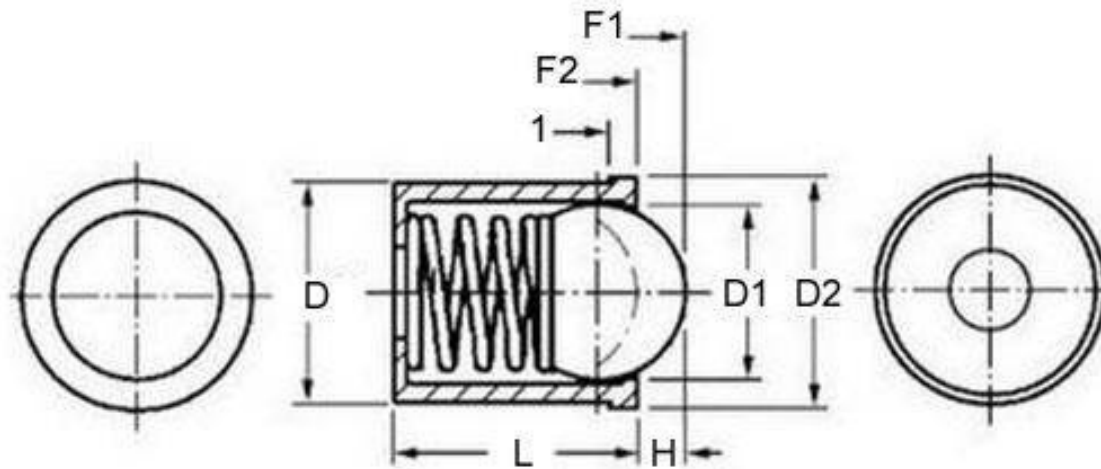
Spring: W.-Nr 1.4310 (301) Stainless Steel.

Surface Finish BSD: Ball hardened, bright BSD-SS: Bright.

Indicates item not stocked at time of printing - Please enquire for lead time

E&OE Pricing and all details subject to change without notice - Copyright Miniature Bearings Australia Pty Ltd

MBA Size Listings are a guide to sizes only and must not be solely relied on for critical design information.



Indicates item not stocked at time of printing - Please enquire for lead time

E&OE Pricing and all details subject to change without notice - Copyright Miniature Bearings Australia Pty Ltd

MBA Size Listings are a guide to sizes only and must not be solely relied on for critical design information.

Plungers - Ball - Push Fit - 303 Stainless Steel

Part Number	Body Dia. (D) mm <i>inches</i>	Ball Diameter (D1) mm <i>inches</i>	Lip Diameter (D2) mm <i>inches</i>	Length (L) mm <i>inches</i>	Ball Height (H) mm <i>inches</i>	Initial Pressure (F1) N	Final Pressure (F2) N	Weight (Approx) g	Material
# PLBP-032-064-S3-022	3.18 <i>0.125</i>	2.36 <i>0.093</i>	4.75 <i>0.187</i>	6.40 <i>0.252</i>	0.89 <i>0.035</i>	8.90	22.24	-	Stainless Steel
# PLBP-032-064-S3-006	3.18 <i>0.125</i>	2.39 <i>0.094</i>	4.75 <i>0.187</i>	6.40 <i>0.252</i>	0.89 <i>0.035</i>	1.78	5.78	-	Stainless Steel
# PLBP-032-064-S3-011	3.18 <i>0.125</i>	2.39 <i>0.094</i>	4.75 <i>0.187</i>	6.40 <i>0.252</i>	0.89 <i>0.035</i>	3.34	11.12	-	Stainless Steel
PLBP-040-050-S3-COM	4.00 (Pressed)	3.00 <i>0.118</i>	4.60 <i>0.181</i>	5.00 <i>0.197</i>	0.80 <i>0.031</i>	2.50	6.00	0.30	303 Stainless
PLBP-040-050-S3-007	4.00 (Machined)	3.00 <i>0.118</i>	4.60 <i>0.181</i>	5.00 <i>0.197</i>	0.70 <i>0.028</i>	3.00	7.00	0.30	303 Stainless
# PLBP-048-103-S3-044	4.78 <i>0.188</i>	3.96 <i>0.156</i>	6.35 <i>0.250</i>	10.29 <i>0.405</i>	1.47 <i>0.058</i>	17.79	44.48	-	Stainless Steel
# PLBP-048-103-S3-011	4.78 <i>0.188</i>	3.96 <i>0.156</i>	6.35 <i>0.250</i>	10.29 <i>0.405</i>	1.47 <i>0.058</i>	4.45	11.12	-	Stainless Steel
# PLBP-048-100-S3-022	4.78 <i>0.188</i>	3.96 <i>0.156</i>	6.35 <i>0.250</i>	10.01 <i>0.394</i>	1.47 <i>0.058</i>	8.90	22.24	-	Stainless Steel
PLBP-050-060-S3-007	5.00 <i>0.197</i>	4.00 <i>0.157</i>	5.60 <i>0.220</i>	6.00 <i>0.236</i>	1.00 <i>0.039</i>	4.00	7.00	0.60	303 Stainless
PLBP-060-070-S3-012	6.00 <i>0.236</i>	5.00 <i>0.197</i>	6.50 <i>0.256</i>	7.00 <i>0.276</i>	1.50 <i>0.059</i>	6.00	12.00	1.00	303 Stainless

Indicates item not stocked at time of printing - Please enquire for lead time

E&OE Pricing and all details subject to change without notice - Copyright Miniature Bearings Australia Pty Ltd
MBA Size Listings are a guide to sizes only and must not be solely relied on for critical design information.

Plungers - Ball - Push Fit - 303 Stainless Steel

Part Number	Body Dia. (D) mm <i>inches</i>	Ball Diameter (D1) mm <i>inches</i>	Lip Diameter (D2) mm <i>inches</i>	Length (L) mm <i>inches</i>	Ball Height (H) mm <i>inches</i>	Initial Pressure (F1) N	Final Pressure (F2) N	Weight (Approx) g	Material
# PLBP-064-122-S3-016	6.35 <i>0.250</i>	4.75 <i>0.187</i>	7.93 <i>0.312</i>	12.22 <i>0.481</i>	1.78 <i>0.070</i>	6.67	15.57	-	Stainless Steel
# PLBP-064-120-S3-031	6.35 <i>0.250</i>	4.75 <i>0.187</i>	7.93 <i>0.312</i>	11.96 <i>0.471</i>	1.78 <i>0.070</i>	13.35	31.14	-	Stainless Steel
# PLBP-064-122-S3-058	6.35 <i>0.250</i>	4.75 <i>0.187</i>	7.93 <i>0.312</i>	12.22 <i>0.481</i>	1.78 <i>0.070</i>	26.69	57.83	-	Stainless Steel
# PLBP-079-163-S3-022	7.93 <i>0.312</i>	6.35 <i>0.250</i>	9.53 <i>0.375</i>	16.33 <i>0.643</i>	2.29 <i>0.090</i>	8.90	22.24	-	Stainless Steel
# PLBP-079-163-S3-071	7.93 <i>0.312</i>	6.35 <i>0.250</i>	9.53 <i>0.375</i>	16.33 <i>0.643</i>	2.29 <i>0.090</i>	35.59	71.17	-	Stainless Steel
# PLBP-079-163-S3-044	7.93 <i>0.312</i>	6.35 <i>0.250</i>	9.53 <i>0.375</i>	16.33 <i>0.643</i>	2.29 <i>0.090</i>	17.79	44.48	-	Stainless Steel
PLBP-080-090-S3-012	8.00 <i>0.315</i>	6.50 <i>0.256</i>	8.50 <i>0.335</i>	9.00 <i>0.354</i>	1.80 <i>0.071</i>	6.00	12.00	2.00	303 Stainless
# PLBP-095-199-S3-080	9.53 <i>0.375</i>	7.93 <i>0.312</i>	12.70 <i>0.500</i>	19.94 <i>0.785</i>	2.79 <i>0.110</i>	44.48	80.07	-	Stainless Steel
# PLBP-095-199-S3-031	9.53 <i>0.375</i>	7.93 <i>0.312</i>	12.70 <i>0.500</i>	19.94 <i>0.785</i>	2.79 <i>0.110</i>	11.12	31.14	-	Stainless Steel
# PLBP-095-200-S3-062	9.53 <i>0.375</i>	7.93 <i>0.312</i>	12.70 <i>0.500</i>	19.96 <i>0.786</i>	2.79 <i>0.110</i>	22.24	62.28	-	Stainless Steel

Indicates item not stocked at time of printing - Please enquire for lead time

E&OE Pricing and all details subject to change without notice - Copyright Miniature Bearings Australia Pty Ltd
MBA Size Listings are a guide to sizes only and must not be solely relied on for critical design information.

Plungers - Ball - Push Fit - 303 Stainless Steel

Part Number	Body Dia. (D) mm <i>inches</i>	Ball Diameter (D1) mm <i>inches</i>	Lip Diameter (D2) mm <i>inches</i>	Length (L) mm <i>inches</i>	Ball Height (H) mm <i>inches</i>	Initial Pressure (F1) N	Final Pressure (F2) N	Weight (Approx) g	Material
# PLBP-100-135-S3-020	10.00 <i>0.394</i>	8.00 <i>0.315</i>	11.99 <i>0.472</i>	13.51 <i>0.532</i>	2.69 <i>0.106</i>	10.01	20.02	-	Stainless Steel
# PLBP-120-160-S3-025	12.00 <i>0.472</i>	10.11 <i>0.398</i>	14.00 <i>0.551</i>	16.00 <i>0.630</i>	3.51 <i>0.138</i>	14.99	25.00	-	Stainless Steel
# PLBP-127-287-S3-102	12.70 <i>0.500</i>	11.10 <i>0.437</i>	17.48 <i>0.688</i>	28.70 <i>1.130</i>	4.09 <i>0.161</i>	53.38	102.31	-	Stainless Steel
# PLBP-127-307-S3-080	12.70 <i>0.500</i>	11.10 <i>0.437</i>	17.48 <i>0.688</i>	30.73 <i>1.210</i>	4.09 <i>0.161</i>	35.59	80.07	-	Stainless Steel
# PLBP-127-287-S3-040	12.70 <i>0.500</i>	11.10 <i>0.437</i>	17.48 <i>0.688</i>	28.70 <i>1.130</i>	4.09 <i>0.161</i>	17.79	40.03	-	Stainless Steel

Indicates item not stocked at time of printing - Please enquire for lead time

E&OE Pricing and all details subject to change without notice - Copyright Miniature Bearings Australia Pty Ltd

MBA Size Listings are a guide to sizes only and must not be solely relied on for critical design information.

DISTRIBUTED BY

Distributed By:

