



# Plungers - Ball - Push Fit - Plastic Body - Plastic Ball

10/4/2018

# Indicates item not stocked at time of printing - Please enquire for lead time

E&OE Pricing and all details subject to change without notice - Copyright Miniature Bearings Australia Pty Ltd

MBA Size Listings are a guide to sizes only and must not be solely relied on for critical design information.

Page 1 of 4

## INFORMATION

Unthreaded. Plastic body and ball.

Body BSD: Pom (Delrin) BSD-SS: W.-Nr 1.4305 (303) Stainless Steel.

Sleeve BSD: Thermoplastic BSD-SS: Stainless Steel.

Ball: W.-Nr 1.4034 (420) Stainless Steel.

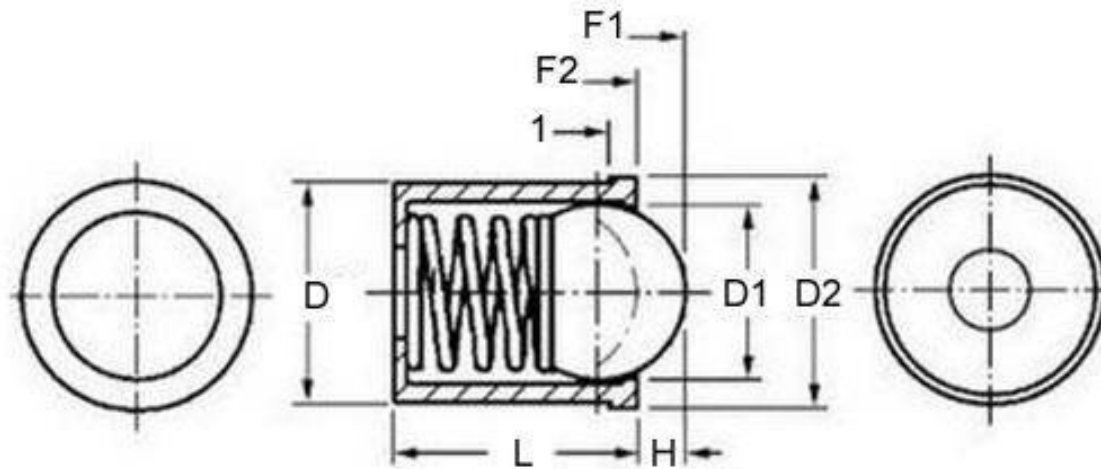
Spring: W.-Nr 1.4310 (301) Stainless Steel.

Surface Finish BSD: Ball hardened, bright BSD-SS: Bright.

# Indicates item not stocked at time of printing - Please enquire for lead time

E&OE Pricing and all details subject to change without notice - Copyright Miniature Bearings Australia Pty Ltd

MBA Size Listings are a guide to sizes only and must not be solely relied on for critical design information.



# Indicates item not stocked at time of printing - Please enquire for lead time

E&OE Pricing and all details subject to change without notice - Copyright Miniature Bearings Australia Pty Ltd

MBA Size Listings are a guide to sizes only and must not be solely relied on for critical design information.

## Plungers - Ball - Push Fit - Plastic Body - Plastic Ball

Part Number	Body Dia. (D) mm	Ball Diameter (D1) mm	Lip Diameter (D2) mm	Length (L) mm	Ball Height (H) mm	Initial Pressure (F1) N	Final Pressure (F2) N	Weight (Approx) g	Material
	<i>inches</i>	<i>inches</i>	<i>inches</i>	<i>inches</i>	<i>inches</i>				
PLBP-040-050-PP-007	4.00	3.00	4.60	5.00	0.70	3.00	7.00	0.17	Delrin Body / Plastic Ball
	<i>0.157</i>	<i>0.118</i>	<i>0.181</i>	<i>0.197</i>	<i>0.028</i>				
PLBP-050-060-PP-007	5.00	4.00	5.60	6.00	1.00	4.00	7.00	0.35	Delrin Body / Plastic Ball
	<i>0.197</i>	<i>0.157</i>	<i>0.220</i>	<i>0.236</i>	<i>0.039</i>				
PLBP-060-070-PP-012	6.00	5.00	6.50	7.00	1.50	6.00	12.00	0.66	Delrin Body / Plastic Ball
	<i>0.236</i>	<i>0.197</i>	<i>0.256</i>	<i>0.276</i>	<i>0.059</i>				
PLBP-080-090-PP-012	8.00	6.50	8.50	9.00	1.80	6.00	12.00	1.46	Delrin Body / Plastic Ball
	<i>0.315</i>	<i>0.256</i>	<i>0.335</i>	<i>0.354</i>	<i>0.071</i>				

# Indicates item not stocked at time of printing - Please enquire for lead time

Page 4 of 4

E&OE Pricing and all details subject to change without notice - Copyright Miniature Bearings Australia Pty Ltd  
MBA Size Listings are a guide to sizes only and must not be solely relied on for critical design information.

DISTRIBUTED BY

Distributed By:

