



# Plungers - Ball - Threaded - 303 Stainless Steel

10/4/2018

# Indicates item not stocked at time of printing - Please enquire for lead time

E&OE Pricing and all details subject to change without notice - Copyright Miniature Bearings Australia Pty Ltd

MBA Size Listings are a guide to sizes only and must not be solely relied on for critical design information.

Page 1 of 10

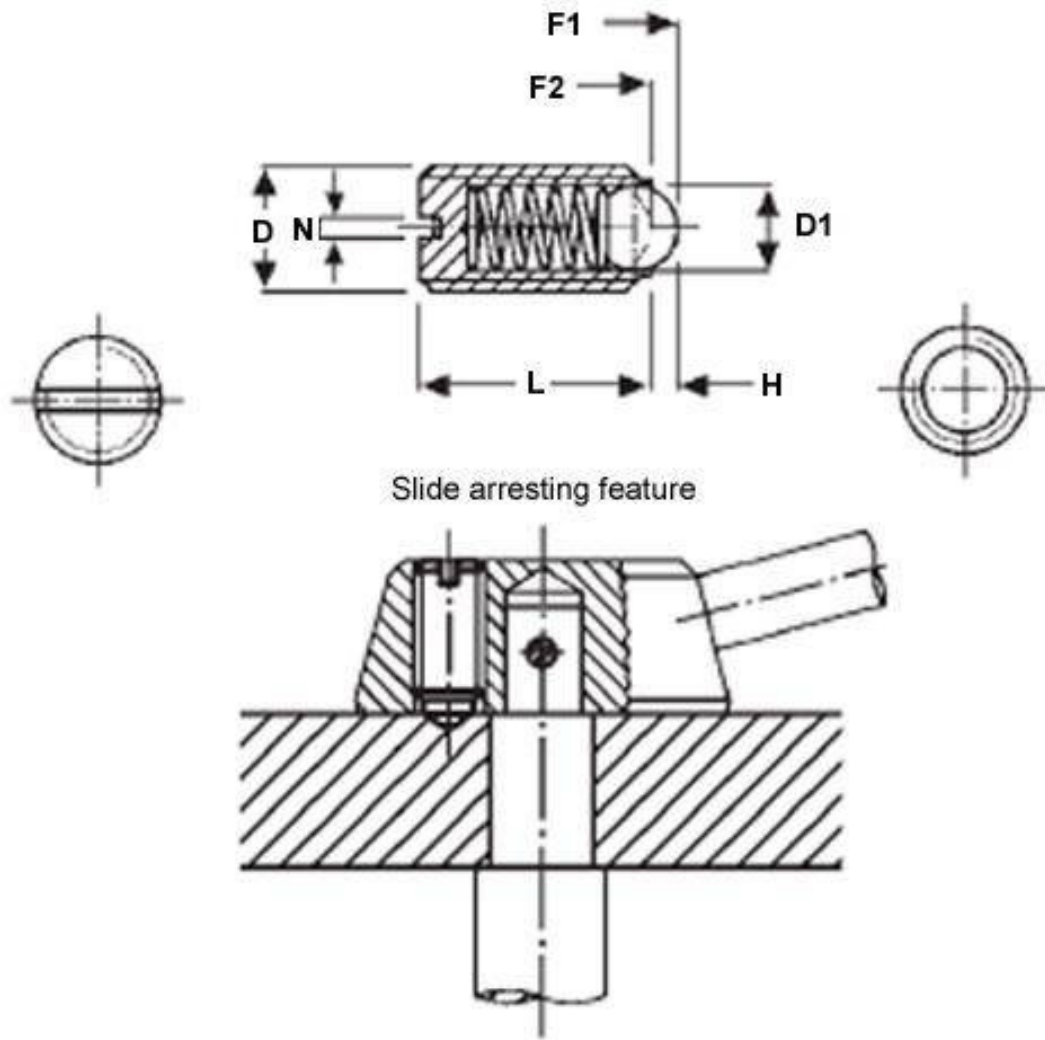
## **INFORMATION**

Items shown with Long-Lok have a dry threadlocking sealant applied to thread.

**# Indicates item not stocked at time of printing - Please enquire for lead time**

**E&OE Pricing and all details subject to change without notice - Copyright Miniature Bearings Australia Pty Ltd**

**MBA Size Listings are a guide to sizes only and must not be solely relied on for critical design information.**



# Indicates item not stocked at time of printing - Please enquire for lead time

E&OE Pricing and all details subject to change without notice - Copyright Miniature Bearings Australia Pty Ltd

MBA Size Listings are a guide to sizes only and must not be solely relied on for critical design information.

## Plungers - Ball - Threaded - 303 Stainless Steel

Part Number	Thread Size (D)	End Type	Material	Tip Diameter (D1) mm	Body Length (L) mm	Tip Length (H) mm	Drive	Initial Pressure (F1) N	Final Pressure (F2) N	Body Dia. (Long Stroke) d2 mm
				<i>inches</i>	<i>inches</i>	<i>inches</i>				<i>inches</i>
PLBT-028F-048-S3-010	4-48 UNF (2.845mm)	Ball	Stainless Steel 1.4305 (303S21/3)	1.58  <i>0.062</i>	4.75  <i>0.187</i>	0.51  <i>0.020</i>	Slotted	2.47	9.89	
PLBT-030-070-S3-003	M3x0.5 (3mm Standard)	Ball	Stainless Steel 1.4305 (303S21/3)	1.50  <i>0.059</i>	7.00  <i>0.276</i>	0.50  <i>0.020</i>	0.40mm Slotted Drive	1.50	3.00	-
# PLBT-032C-064-S3-015	5-40 UNC (3.175mm)	Ball	Stainless Steel 1.4305 (303S21/3)	1.58  <i>0.062</i>	6.35  <i>0.250</i>	0.51  <i>0.020</i>	Slotted	4.95	14.84	
# PLBT-035F-079-S3-020	6-40 UNF (3.5mm)	Ball	Stainless Steel 1.4305 (303S21/3)	1.98  <i>0.078</i>	7.93  <i>0.312</i>	0.58  <i>0.023</i>	Slotted	9.89	19.79	
PLBT-040-090-S3-010	M4x0.7 (4mm Standard)	Ball	Stainless Steel 1.4305 (303S21/3)	2.50  <i>0.098</i>	9.00  <i>0.354</i>	0.80  <i>0.031</i>	0.60mm Slotted Drive	4.00	10.00	-
# PLBT-042C-087-S3-025	8-32 UNC (4.166mm)	Ball	Stainless Steel 1.4305 (303S21/3)	2.38  <i>0.094</i>	8.74  <i>0.344</i>	0.64  <i>0.025</i>	Slotted	9.89	24.73	
# PLBT-042C-113-S3-006	8-32 UNC (4.166mm)	Ball	Stainless Steel 1.4305 (303S21/3)	2.38  <i>0.094</i>	11.30  <i>0.445</i>	2.39  <i>0.094</i>	Slotted	2.22	5.56	

# Indicates item not stocked at time of printing - Please enquire for lead time

Page 4 of 10

E&OE Pricing and all details subject to change without notice - Copyright Miniature Bearings Australia Pty Ltd  
MBA Size Listings are a guide to sizes only and must not be solely relied on for critical design information.

## Plungers - Ball - Threaded - 303 Stainless Steel

Part Number	Thread Size (D)	End Type	Material	Tip Diameter (D1) mm	Body Length (L) mm	Tip Length (H) mm	Drive	Initial Pressure (F1) N	Final Pressure (F2) N	Body Dia. (Long Stroke) d2 mm
				<i>inches</i>	<i>inches</i>	<i>inches</i>				<i>inches</i>
# PLBT-042F-087-S3-025	8-36 UNF (4.166mm)	Ball	Stainless Steel 1.4305 (303S21/3)	2.38  <i>0.094</i>	8.74  <i>0.344</i>	0.64  <i>0.025</i>	Slotted	9.89	24.73	
# PLBT-048F-130-S3-099	10-32 UNF (4.762mm)	Ball	Stainless Steel 1.4305 (303S21/3)	2.38  <i>0.094</i>	13.03  <i>0.513</i>	0.64  <i>0.025</i>	Slotted	39.57	98.93	
# PLBT-048F-145-S3-013	10-32 UNF (4.762mm)	Ball	Stainless Steel 1.4305 (303S21/3)	2.38  <i>0.094</i>	14.48  <i>0.570</i>	2.39  <i>0.094</i>	Slotted	6.67	13.35	
# PLBT-048F-130-S3-059	10-32 UNF (4.762mm)	Ball	Stainless Steel 1.4305 (303S21/3)	2.38  <i>0.094</i>	13.03  <i>0.513</i>	0.64  <i>0.025</i>	Slotted	29.68	59.36	
PLBT-048F-130-S3-030	10-32 UNF (4.762mm)	Ball	Stainless Steel 1.4305 (303S21/3)	2.38  <i>0.094</i>	13.03  <i>0.513</i>	0.64  <i>0.025</i>	Slotted	9.89	29.68	
PLBT-050-120-S3-011	M5x0.8 (5mm Standard)	Ball	Stainless Steel 1.4305 (303S21/3)	3.00  <i>0.118</i>	12.00  <i>0.472</i>	0.90  <i>0.035</i>	0.80mm Slotted Drive	6.00	11.00	-
# PLBT-060-140-S3-006	M6x1 (6mm Standard)	Ball	Stainless Steel 1.4305 (303S21/3)	3.50  <i>0.138</i>	14.00  <i>0.551</i>	1.00  <i>0.039</i>	Slotted	2.00	6.00	

# Indicates item not stocked at time of printing - Please enquire for lead time

Page 5 of 10

E&OE Pricing and all details subject to change without notice - Copyright Miniature Bearings Australia Pty Ltd  
MBA Size Listings are a guide to sizes only and must not be solely relied on for critical design information.

## Plungers - Ball - Threaded - 303 Stainless Steel

Part Number	Thread Size (D)	End Type	Material	Tip Diameter (D1) mm	Body Length (L) mm	Tip Length (H) mm	Drive	Initial Pressure (F1) N	Final Pressure (F2) N	Body Dia. (Long Stroke) d2 mm
				<i>inches</i>	<i>inches</i>	<i>inches</i>				<i>inches</i>
PLBT-060-140-S3-013	M6x1 (6mm Standard)	Ball	Stainless Steel 1.4305 (303S21/3)	3.50 <i>0.138</i>	14.00 <i>0.551</i>	1.00 <i>0.039</i>	1.00mm Slotted Drive	9.00	13.00	-
# PLBT-060-140-S3-040	M6x1 (6mm Standard)	Ball	Stainless Steel 1.4305 (303S21/3)	3.50 <i>0.138</i>	14.00 <i>0.551</i>	1.00 <i>0.039</i>	Slotted	28.00	40.00	
# PLBT-064C-135-S3-079	1/4-20 UNC (6.35mm)	Ball	Stainless Steel 1.4305 (303S21/3)	3.18 <i>0.125</i>	13.49 <i>0.531</i>	0.89 <i>0.035</i>	Slotted	39.57	79.15	
# PLBT-064C-135-S3-139	1/4-20 UNC (6.35mm)	Ball	Stainless Steel 1.4305 (303S21/3)	3.18 <i>0.125</i>	13.49 <i>0.531</i>	0.89 <i>0.035</i>	Slotted	59.36	138.51	
# PLBT-064C-135-S3-237	1/4-20 UNC (6.35mm)	Ball	Stainless Steel 1.4305 (303S21/3)	3.18 <i>0.125</i>	13.49 <i>0.531</i>	0.89 <i>0.035</i>	Slotted	79.15	237.44	
# PLBT-064C-172-S3-031	1/4-20 UNC (6.35mm)	Ball	Stainless Steel 1.4305 (303S21/3)	3.18 <i>0.125</i>	17.15 <i>0.675</i>	3.18 <i>0.125</i>	Slotted	13.35	31.14	
# PLBT-079C-183-S3-040	5/16-18 UNC (7.938mm)	Ball	Stainless Steel 1.4305 (303S21/3)	3.96 <i>0.156</i>	18.29 <i>0.720</i>	3.96 <i>0.156</i>	Slotted	17.79	40.03	

# Indicates item not stocked at time of printing - Please enquire for lead time

Page 6 of 10

E&OE Pricing and all details subject to change without notice - Copyright Miniature Bearings Australia Pty Ltd  
MBA Size Listings are a guide to sizes only and must not be solely relied on for critical design information.

## Plungers - Ball - Threaded - 303 Stainless Steel

Part Number	Thread Size (D)	End Type	Material	Tip Diameter (D1) mm	Body Length (L) mm	Tip Length (H) mm	Drive	Initial Pressure (F1) N	Final Pressure (F2) N	Body Dia. (Long Stroke) d2 mm
				<i>inches</i>	<i>inches</i>	<i>inches</i>				<i>inches</i>
# PLBT-079C-147-S3-089	5/16-18 UNC (7.938mm)	Ball	Stainless Steel 1.4305 (303S21/3)	3.96  <i>0.156</i>	14.68  <i>0.578</i>	1.02  <i>0.040</i>	Slotted	39.57	89.04	
# PLBT-079C-147-S3-178	5/16-18 UNC (7.938mm)	Ball	Stainless Steel 1.4305 (303S21/3)	3.96  <i>0.156</i>	14.68  <i>0.578</i>	1.02  <i>0.040</i>	Slotted	79.15	178.08	
# PLBT-079C-147-S3-336	5/16-18 UNC (7.938mm)	Ball	Stainless Steel 1.4305 (303S21/3)	3.96  <i>0.156</i>	14.68  <i>0.578</i>	1.02  <i>0.040</i>	Slotted	118.72	336.37	
# PLBT-080-160-S3-010	M8x1.25 (8mm Standard)	Ball	Stainless Steel 1.4305 (303S21/3)	5.00  <i>0.197</i>	16.00  <i>0.630</i>	1.50  <i>0.059</i>	Slotted	5.00	10.00	
PLBT-080-160-S3-030	M8x1.25 (8mm Standard)	Ball	Stainless Steel 1.4305 (303S21/3)	5.00  <i>0.197</i>	16.00  <i>0.630</i>	1.50  <i>0.059</i>	1.20mm Slotted Drive	15.00	30.00	-
# PLBT-080-160-S3-060	M8x1.25 (8mm Standard)	Ball	Stainless Steel 1.4305 (303S21/3)	5.00  <i>0.197</i>	16.00  <i>0.630</i>	1.50  <i>0.059</i>	Slotted	40.00	60.00	
# PLBT-095C-159-S3-099	3/8-16 UNC (9.525mm)	Ball	Stainless Steel 1.4305 (303S21/3)	4.76  <i>0.187</i>	15.88  <i>0.625</i>	1.22  <i>0.048</i>	Slotted	49.47	98.93	

# Indicates item not stocked at time of printing - Please enquire for lead time

Page 7 of 10

E&OE Pricing and all details subject to change without notice - Copyright Miniature Bearings Australia Pty Ltd  
MBA Size Listings are a guide to sizes only and must not be solely relied on for critical design information.

## Plungers - Ball - Threaded - 303 Stainless Steel

Part Number	Thread Size (D)	End Type	Material	Tip Diameter (D1) mm	Body Length (L) mm	Tip Length (H) mm	Drive	Initial Pressure (F1) N	Final Pressure (F2) N	Body Dia. (Long Stroke) d2 mm
				<i>inches</i>	<i>inches</i>	<i>inches</i>				<i>inches</i>
# PLBT-095C-159-S3-198	3/8-16 UNC (9.525mm)	Ball	Stainless Steel 1.4305 (303S21/3)	4.76  <i>0.187</i>	15.88  <i>0.625</i>	1.22  <i>0.048</i>	Slotted	98.93	197.87	
# PLBT-095C-159-S3-416	3/8-16 UNC (9.525mm)	Ball	Stainless Steel 1.4305 (303S21/3)	4.76  <i>0.187</i>	15.88  <i>0.625</i>	1.22  <i>0.048</i>	Slotted	118.72	415.52	
# PLBT-095C-203-S3-044	3/8-16 UNC (9.525mm)	Ball	Stainless Steel 1.4305 (303S21/3)	4.76  <i>0.187</i>	20.32  <i>0.800</i>	4.78  <i>0.188</i>	Slotted	22.24	44.48	
# PLBT-100-190-S3-015	M10x1.5 (10mm Standard)	Ball	Stainless Steel 1.4305 (303S21/3)	6.00  <i>0.236</i>	19.00  <i>0.748</i>	2.00  <i>0.079</i>	Slotted	8.00	15.00	
PLBT-100-190-S3-035	M10x1.5 (10mm Standard)	Ball	Stainless Steel 1.4305 (303S21/3)	6.00  <i>0.236</i>	19.00  <i>0.748</i>	2.00  <i>0.079</i>	1.60mm Slotted Drive	20.00	35.00	-
# PLBT-100-190-S3-090	M10x1.5 (10mm Standard)	Ball	Stainless Steel 1.4305 (303S21/3)	6.00  <i>0.236</i>	19.00  <i>0.748</i>	2.00  <i>0.079</i>	Slotted	60.00	90.00	
# PLBT-120-220-S3-020	M12x1.75 (12mm Standard)	Ball	Stainless Steel 1.4305 (303S21/3)	8.00  <i>0.315</i>	22.00  <i>0.866</i>	2.50  <i>0.098</i>	Slotted	10.00	20.00	

# Indicates item not stocked at time of printing - Please enquire for lead time

Page 8 of 10

E&OE Pricing and all details subject to change without notice - Copyright Miniature Bearings Australia Pty Ltd  
MBA Size Listings are a guide to sizes only and must not be solely relied on for critical design information.



## Plungers - Ball - Threaded - 303 Stainless Steel

Part Number	Thread Size (D)	End Type	Material	Tip Diameter (D1) mm	Body Length (L) mm	Tip Length (H) mm	Drive	Initial Pressure (F1) N	Final Pressure (F2) N	Body Dia. (Long Stroke) d2 mm
				<i>inches</i>	<i>inches</i>	<i>inches</i>				<i>inches</i>
PLBT-120-220-S3-055	M12x1.75 (12mm Standard)	Ball	Stainless Steel 1.4305 (303S21/3)	8.00  <i>0.315</i>	22.00  <i>0.866</i>	2.50  <i>0.098</i>	2.00mm Slotted Drive	30.00	55.00	-
# PLBT-120-220-S3-115	M12x1.75 (12mm Standard)	Ball	Stainless Steel 1.4305 (303S21/3)	8.00  <i>0.315</i>	22.00  <i>0.866</i>	2.50  <i>0.098</i>	Slotted	75.00	115.00	
# PLBT-127C-191-S3-119	1/2-13 UNC (12.7mm)	Ball	Stainless Steel 1.4305 (303S21/3)	7.15  <i>0.281</i>	19.05  <i>0.750</i>	1.83  <i>0.072</i>	Slotted	59.36	118.72	
# PLBT-127C-191-S3-237	1/2-13 UNC (12.7mm)	Ball	Stainless Steel 1.4305 (303S21/3)	7.15  <i>0.281</i>	19.05  <i>0.750</i>	1.83  <i>0.072</i>	Slotted	118.72	237.44	
# PLBT-127C-191-S3-594	1/2-13 UNC (12.7mm)	Ball	Stainless Steel 1.4305 (303S21/3)	7.15  <i>0.281</i>	19.05  <i>0.750</i>	1.83  <i>0.072</i>	Slotted	118.72	593.59	
# PLBT-127C-267-S3-053	1/2-13 UNC (12.7mm)	Ball	Stainless Steel 1.4305 (303S21/3)	7.15  <i>0.281</i>	26.67  <i>1.050</i>	7.14  <i>0.281</i>	Slotted	26.69	53.38	
# PLBT-159C-250-S3-178	5/8-11 UNC (15.875mm)	Ball	Stainless Steel 1.4305 (303S21/3)	9.53  <i>0.375</i>	24.99  <i>0.984</i>	2.44  <i>0.096</i>	Slotted	89.04	178.08	

# Indicates item not stocked at time of printing - Please enquire for lead time

Page 9 of 10

E&OE Pricing and all details subject to change without notice - Copyright Miniature Bearings Australia Pty Ltd  
MBA Size Listings are a guide to sizes only and must not be solely relied on for critical design information.

## Plungers - Ball - Threaded - 303 Stainless Steel

Part Number	Thread Size (D)	End Type	Material	Tip Diameter (D1) mm	Body Length (L) mm	Tip Length (H) mm	Drive	Initial Pressure (F1) N	Final Pressure (F2) N	Body Dia. (Long Stroke) d2 mm
				<i>inches</i>	<i>inches</i>	<i>inches</i>				<i>inches</i>
# PLBT-159C-250-S3-356	5/8-11 UNC (15.875mm)	Ball	Stainless Steel 1.4305 (303S21/3)	9.53  <i>0.375</i>	24.99  <i>0.984</i>	2.44  <i>0.096</i>	Slotted	178.08	356.16	
# PLBT-159C-250-S3-989	5/8-11 UNC (15.875mm)	Ball	Stainless Steel 1.4305 (303S21/3)	9.53  <i>0.375</i>	24.99  <i>0.984</i>	2.44  <i>0.096</i>	Slotted	138.51	989.32	
# PLBT-159C-318-S3-080	5/8-11 UNC (15.875mm)	Ball	Stainless Steel 1.4305 (303S21/3)	9.53  <i>0.375</i>	31.75  <i>1.250</i>	9.53  <i>0.375</i>	Slotted	40.03	80.07	
PLBT-160-240-S3-125	M16x2 (16mm Standard)	Ball	Stainless Steel 1.4305 (303S21/3)	10.00  <i>0.394</i>	24.00  <i>0.945</i>	3.50  <i>0.138</i>	2.50mm Slotted Drive	65.00	125.00	-
PLBT-200-300-S3-160	M20x2.5 (20mm Standard)	Ball	Stainless Steel 1.4305 (303S21/3)	12.00  <i>0.472</i>	30.00  <i>1.181</i>	4.50  <i>0.177</i>	2.50mm Slotted Drive	80.00	160.00	-

# Indicates item not stocked at time of printing - Please enquire for lead time

E&OE Pricing and all details subject to change without notice - Copyright Miniature Bearings Australia Pty Ltd

MBA Size Listings are a guide to sizes only and must not be solely relied on for critical design information.

DISTRIBUTED BY

Distributed By:

