



Plungers - Ball - Threaded - Acetal Body with Stainless Ball

10/4/2018

Indicates item not stocked at time of printing - Please enquire for lead time

E&OE Pricing and all details subject to change without notice - Copyright Miniature Bearings Australia Pty Ltd

MBA Size Listings are a guide to sizes only and must not be solely relied on for critical design information.

Page 1 of 5

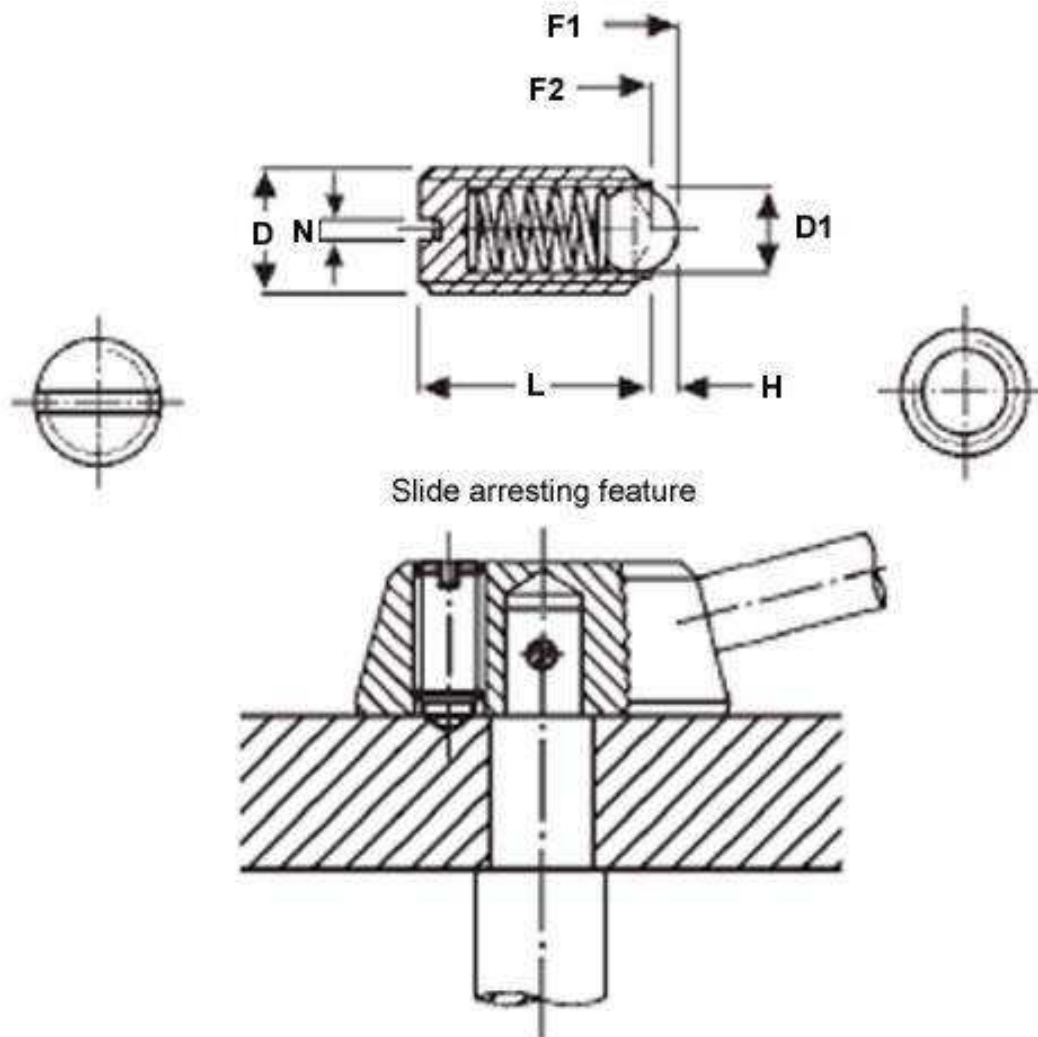
INFORMATION

Items shown with Long-Lok have a dry threadlocking sealant applied to thread.

Indicates item not stocked at time of printing - Please enquire for lead time

E&OE Pricing and all details subject to change without notice - Copyright Miniature Bearings Australia Pty Ltd

MBA Size Listings are a guide to sizes only and must not be solely relied on for critical design information.



Indicates item not stocked at time of printing - Please enquire for lead time

E&OE Pricing and all details subject to change without notice - Copyright Miniature Bearings Australia Pty Ltd

MBA Size Listings are a guide to sizes only and must not be solely relied on for critical design information.

Plungers - Ball - Threaded - Acetal Body with Stainless Ball

Part Number	Thread Size (D)	End Type	Material	Tip Diameter (D1) mm	Body Length (L) mm	Tip Length (H) mm	Drive	Initial Pressure (F1) N	Final Pressure (F2) N	Body Dia. (Long Stroke) d2 mm
				<i>inches</i>	<i>inches</i>	<i>inches</i>				<i>inches</i>
PLBT-060-140-AS-017	M6x1 (6mm Standard)	Ball	Acetal Body / Hard Stainless Ball	3.50	14.00	1.00	Slotted - Size Not Specified	12.00	17.00	-
				<i>0.138</i>	<i>0.551</i>	<i>0.039</i>				
# PLBT-064C-135-AS-022	1/4-20 UNC (6.35mm)	Ball	Acetal Body / Hard Stainless Ball	3.18	13.487	0.686	Slotted	8.90	22.24	-
				<i>0.125</i>	<i>0.531</i>	<i>0.027</i>				
# PLBT-064C-135-AS-011	1/4-20 UNC (6.35mm)	Ball	Acetal Body / Hard Stainless Ball	3.18	13.487	0.686	Slotted	4.45	11.12	-
				<i>0.125</i>	<i>0.531</i>	<i>0.027</i>				
# PLBT-079C-147-AS-022	5/16-18 UNC (7.938mm)	Ball	Acetal Body / Stainless Ball	3.96	14.681	0.991	Slotted	8.90	22.24	-
				<i>0.156</i>	<i>0.578</i>	<i>0.039</i>				
# PLBT-079C-147-AS-020	5/16-18 UNC (7.938mm)	Ball	Acetal Body / Hard Stainless Ball	3.96	14.681	0.991	Slotted	8.90	20.02	-
				<i>0.156</i>	<i>0.578</i>	<i>0.039</i>				
PLBT-080-160-AS-035	M8x1.25 (8mm Standard)	Ball	Acetal Body / Hard Stainless Ball	5.00	16.00	1.50	Slotted - Size Not Specified	20.00	35.00	-
				<i>0.197</i>	<i>0.630</i>	<i>0.059</i>				
# PLBT-095C-159-AS-040	3/8-16 UNC (9.525mm)	Ball	Acetal Body / Hard Stainless Ball	4.75	15.875	1.346	Slotted	17.79	40.03	-
				<i>0.187</i>	<i>0.625</i>	<i>0.053</i>				

Indicates item not stocked at time of printing - Please enquire for lead time

Page 4 of 5

E&OE Pricing and all details subject to change without notice - Copyright Miniature Bearings Australia Pty Ltd

MBA Size Listings are a guide to sizes only and must not be solely relied on for critical design information.

Plungers - Ball - Threaded - Acetal Body with Stainless Ball

Part Number	Thread Size (D)	End Type	Material	Tip Diameter (D1) mm	Body Length (L) mm	Tip Length (H) mm	Drive	Initial Pressure (F1) N	Final Pressure (F2) N	Body Dia. (Long Stroke) d2 mm
# PLBT-095C-159-AS-020	3/8-16 UNC (9.525mm)	Ball	Acetal Body / Hard Stainless Ball	4.75 <i>0.187 inches</i>	15.875 <i>0.625 inches</i>	1.346 <i>0.053 inches</i>	Slotted	8.90	20.02	-
# PLBT-100-190-AS-045	M10x1.5 (10mm Standard)	Ball	Acetal Body / Hard Stainless Ball	6.00 <i>0.236 inches</i>	19.00 <i>0.748 inches</i>	2.00 <i>0.079 inches</i>	Slotted - Size Not Specified	20.00	45.00	-

Indicates item not stocked at time of printing - Please enquire for lead time

Page 5 of 5

E&OE Pricing and all details subject to change without notice - Copyright Miniature Bearings Australia Pty Ltd
MBA Size Listings are a guide to sizes only and must not be solely relied on for critical design information.

DISTRIBUTED BY

Distributed By:

