



Plungers - Ball - Threaded - Steel - Threadlock

10/4/2018

Indicates item not stocked at time of printing - Please enquire for lead time

E&OE Pricing and all details subject to change without notice - Copyright Miniature Bearings Australia Pty Ltd

MBA Size Listings are a guide to sizes only and must not be solely relied on for critical design information.

Page 1 of 10

INFORMATION

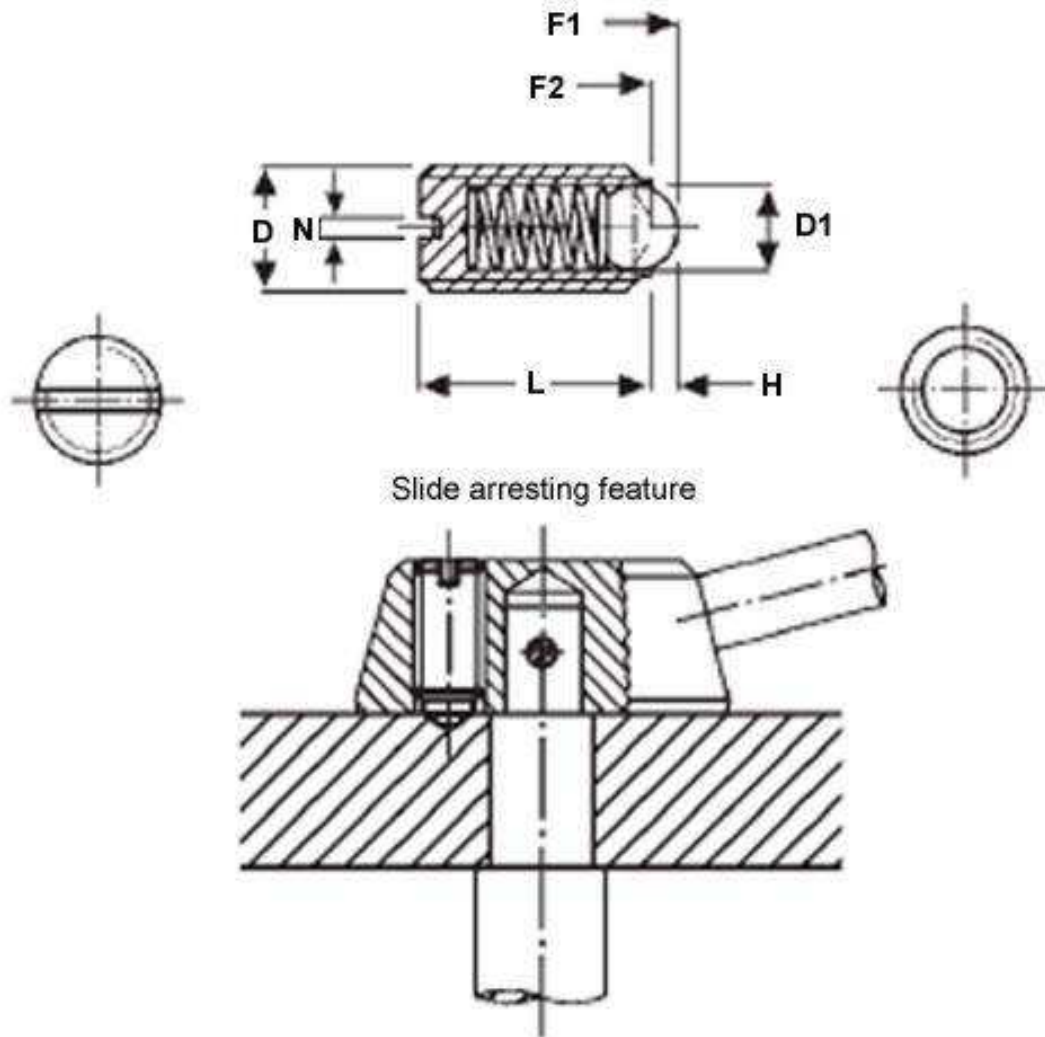
With Long-Lok thread locking compound to prevent loosening

Items shown with Long-Lok have a dry threadlocking sealant applied to thread.

Indicates item not stocked at time of printing - Please enquire for lead time

E&OE Pricing and all details subject to change without notice - Copyright Miniature Bearings Australia Pty Ltd

MBA Size Listings are a guide to sizes only and must not be solely relied on for critical design information.



Indicates item not stocked at time of printing - Please enquire for lead time

E&OE Pricing and all details subject to change without notice - Copyright Miniature Bearings Australia Pty Ltd

MBA Size Listings are a guide to sizes only and must not be solely relied on for critical design information.

Plungers - Ball - Threaded - Steel - Threadlock

Part Number	Thread Size (D)	End Type	Material	Tip Diameter (D1) mm	Body Length (L) mm	Tip Length (H) mm	Drive	Initial Pressure (F1) N	Final Pressure (F2) N	Body Dia. (Long Stroke) d2 mm
				<i>inches</i>	<i>inches</i>	<i>inches</i>				<i>inches</i>
PLBT-030-070-CLK-003	M3x0.5 (3mm Standard)	Ball	Steel with Long-Lok	1.50 <i>0.059</i>	7.00 <i>0.276</i>	0.50 <i>0.020</i>	0.40mm Slotted Drive	1.50	3.00	-
# PLBT-035C-071-CLK-003	6-32 UNC (3.5mm)	Ball	Steel with Long-Lok	1.53 <i>0.060</i>	7.11 <i>0.280</i>	0.51 <i>0.020</i>	Slotted	1.47	2.98	-
PLBT-040-090-CLK-010	M4x0.7 (4mm Standard)	Ball	Steel with Long-Lok	2.50 <i>0.098</i>	9.00 <i>0.354</i>	0.80 <i>0.031</i>	0.60mm Slotted Drive	4.00	10.00	-
# PLBT-042C-089-CLK-010	8-32 UNC (4.166mm)	Ball	Steel with Long-Lok	2.54 <i>0.100</i>	8.89 <i>0.350</i>	0.76 <i>0.030</i>	Slotted	4.00	10.01	-
# PLBT-042F-089-CLK-010	8-36 UNF (4.166mm)	Ball	Steel with Long-Lok	2.54 <i>0.100</i>	8.89 <i>0.350</i>	0.76 <i>0.030</i>	Slotted	4.00	10.01	-
# PLBT-048F-119-CLK-011	10-32 UNF (4.762mm)	Ball	Steel with Long-Lok	3.05 <i>0.120</i>	11.94 <i>0.470</i>	1.02 <i>0.040</i>	Slotted	6.01	10.99	-
# PLBT-048F-119-CLK-030	10-32 UNF (4.762mm)	Ball	Steel with Long-Lok	3.05 <i>0.120</i>	11.94 <i>0.470</i>	1.02 <i>0.040</i>	Slotted	1.90	29.98	-
PLBT-050-120-CLK-011	M5x0.8 (5mm Standard)	Ball	Steel with Long-Lok	3.00 <i>0.118</i>	12.00 <i>0.472</i>	0.90 <i>0.035</i>	0.80mm Slotted Drive	6.00	11.00	-

Indicates item not stocked at time of printing - Please enquire for lead time

Page 4 of 10

E&OE Pricing and all details subject to change without notice - Copyright Miniature Bearings Australia Pty Ltd
MBA Size Listings are a guide to sizes only and must not be solely relied on for critical design information.

Plungers - Ball - Threaded - Steel - Threadlock

Part Number	Thread Size (D)	End Type	Material	Tip Diameter (D1) mm	Body Length (L) mm	Tip Length (H) mm	Drive	Initial Pressure (F1) N	Final Pressure (F2) N	Body Dia. (Long Stroke) d2 mm
				<i>inches</i>	<i>inches</i>	<i>inches</i>				<i>inches</i>
# PLBT-050-210-CLK-030	M5x0.8 (5mm Standard)	Ball	Steel with Long-Lok	3.00 <i>0.118</i>	21.00 <i>0.827</i>	0.90 <i>0.035</i>	Slotted	19.00	30.00	-
# PLBT-060-150-CLK-040	M6x1 (6mm Standard)	Ball	Steel with Long-Lok	3.50 <i>0.138</i>	15.00 <i>0.591</i>	1.00 <i>0.039</i>	Socketed	28.00	40.00	-
PLBT-060-140-CLK-013	M6x1 (6mm Standard)	Ball	Steel with Long-Lok	3.50 <i>0.138</i>	14.00 <i>0.551</i>	1.00 <i>0.039</i>	1.00mm Slotted Drive	9.00	13.00	-
# PLBT-060-140-CLK-040	M6x1 (6mm Standard)	Ball	Steel with Long-Lok	3.50 <i>0.138</i>	14.00 <i>0.551</i>	1.00 <i>0.039</i>	Slotted	28.00	40.00	-
# PLBT-060-150-CLK-013	M6x1 (6mm Standard)	Ball	Steel with Long-Lok	3.50 <i>0.138</i>	15.00 <i>0.591</i>	1.00 <i>0.039</i>	Socketed	9.00	13.00	-
# PLBT-064C-150-CLK-040	1/4-20 UNC (6.35mm)	Ball	Steel with Long-Lok	3.56 <i>0.140</i>	14.99 <i>0.590</i>	1.02 <i>0.040</i>	Socketed	27.98	39.99	-
# PLBT-064C-150-CLK-013	1/4-20 UNC (6.35mm)	Ball	Steel with Long-Lok	3.56 <i>0.140</i>	14.99 <i>0.590</i>	1.02 <i>0.040</i>	Socketed	8.99	12.99	-
# PLBT-064C-140-CLK-013	1/4-20 UNC (6.35mm)	Ball	Steel with Long-Lok	3.56 <i>0.140</i>	13.97 <i>0.550</i>	1.02 <i>0.040</i>	Slotted	8.99	12.99	-

Indicates item not stocked at time of printing - Please enquire for lead time

Page 5 of 10

E&OE Pricing and all details subject to change without notice - Copyright Miniature Bearings Australia Pty Ltd
MBA Size Listings are a guide to sizes only and must not be solely relied on for critical design information.

Plungers - Ball - Threaded - Steel - Threadlock

Part Number	Thread Size (D)	End Type	Material	Tip Diameter (D1) mm	Body Length (L) mm	Tip Length (H) mm	Drive	Initial Pressure (F1) N	Final Pressure (F2) N	Body Dia. (Long Stroke) d2 mm
				<i>inches</i>	<i>inches</i>	<i>inches</i>				<i>inches</i>
PLBT-064C-140-CLK-040	1/4-20 UNC (6.35mm)	Ball	Steel with Long-Lok	3.56 <i>0.140</i>	13.97 <i>0.550</i>	1.02 <i>0.040</i>	Slotted	27.98	39.99	-
# PLBT-064F-140-CLK-013	1/4-28 UNF (6.35mm)	Ball	Steel with Long-Lok	3.56 <i>0.140</i>	13.97 <i>0.550</i>	1.02 <i>0.040</i>	Slotted	8.99	12.99	-
# PLBT-064F-140-CLK-040	1/4-28 UNF (6.35mm)	Ball	Steel with Long-Lok	3.56 <i>0.140</i>	13.97 <i>0.550</i>	1.02 <i>0.040</i>	Slotted	27.98	39.99	-
# PLBT-064F-150-CLK-013	1/4-28 UNF (6.35mm)	Ball	Steel with Long-Lok	3.56 <i>0.140</i>	14.99 <i>0.590</i>	1.02 <i>0.040</i>	Socketed	8.99	12.99	-
# PLBT-064F-150-CLK-040	1/4-28 UNF (6.35mm)	Ball	Steel with Long-Lok	3.56 <i>0.140</i>	14.99 <i>0.590</i>	1.02 <i>0.040</i>	Socketed	27.98	39.99	-
# PLBT-079C-160-CLK-030	5/16-18 UNC (7.938mm)	Ball	Steel with Long-Lok	5.08 <i>0.200</i>	16.00 <i>0.630</i>	1.52 <i>0.060</i>	Slotted	14.99	29.98	-
# PLBT-079C-160-CLK-073	5/16-18 UNC (7.938mm)	Ball	Steel with Long-Lok	5.08 <i>0.200</i>	16.00 <i>0.630</i>	1.52 <i>0.060</i>	Slotted	47.02	73.00	-
# PLBT-079C-180-CLK-030	5/16-18 UNC (7.938mm)	Ball	Steel with Long-Lok	5.08 <i>0.200</i>	18.03 <i>0.710</i>	1.52 <i>0.060</i>	Socketed	14.99	29.98	-

Indicates item not stocked at time of printing - Please enquire for lead time

Page 6 of 10

E&OE Pricing and all details subject to change without notice - Copyright Miniature Bearings Australia Pty Ltd
MBA Size Listings are a guide to sizes only and must not be solely relied on for critical design information.

Plungers - Ball - Threaded - Steel - Threadlock

Part Number	Thread Size (D)	End Type	Material	Tip Diameter (D1) mm	Body Length (L) mm	Tip Length (H) mm	Drive	Initial Pressure (F1) N	Final Pressure (F2) N	Body Dia. (Long Stroke) d2 mm
				<i>inches</i>	<i>inches</i>	<i>inches</i>				<i>inches</i>
# PLBT-079C-180-CLK-073	5/16-18 UNC (7.938mm)	Ball	Steel with Long-Lok	5.08 <i>0.200</i>	18.03 <i>0.710</i>	1.52 <i>0.060</i>	Socketed	47.02	73.00	-
# PLBT-080-180-CLK-030	M8x1.25 (8mm Standard)	Ball	Steel with Long-Lok	5.00 <i>0.197</i>	18.00 <i>0.709</i>	1.50 <i>0.059</i>	Socketed	15.00	30.00	-
PLBT-080-160-CLK-030	M8x1.25 (8mm Standard)	Ball	Steel with Long-Lok	5.00 <i>0.197</i>	16.00 <i>0.630</i>	1.50 <i>0.059</i>	1.20mm Slotted Drive	15.00	30.00	-
# PLBT-080-180-CLK-073	M8x1.25 (8mm Standard)	Ball	Steel with Long-Lok	5.00 <i>0.197</i>	18.00 <i>0.709</i>	1.50 <i>0.059</i>	Socketed	47.00	73.00	-
# PLBT-080-160-CLK-073	M8x1.25 (8mm Standard)	Ball	Steel with Long-Lok	5.00 <i>0.197</i>	16.00 <i>0.630</i>	1.50 <i>0.059</i>	Slotted	47.00	73.00	-
# PLBT-095C-191-CLK-035	3/8-16 UNC (9.525mm)	Ball	Steel with Long-Lok	6.10 <i>0.240</i>	19.05 <i>0.750</i>	2.03 <i>0.080</i>	Slotted	20.02	35.01	-
# PLBT-095C-191-CLK-100	3/8-16 UNC (9.525mm)	Ball	Steel with Long-Lok	6.10 <i>0.240</i>	19.05 <i>0.750</i>	2.03 <i>0.080</i>	Slotted	66.01	100.00	-
# PLBT-095C-231-CLK-035	3/8-16 UNC (9.525mm)	Ball	Steel with Long-Lok	6.10 <i>0.240</i>	23.11 <i>0.910</i>	2.03 <i>0.080</i>	Socketed	20.02	35.01	-

Indicates item not stocked at time of printing - Please enquire for lead time

Page 7 of 10

E&OE Pricing and all details subject to change without notice - Copyright Miniature Bearings Australia Pty Ltd
MBA Size Listings are a guide to sizes only and must not be solely relied on for critical design information.

Plungers - Ball - Threaded - Steel - Threadlock

Part Number	Thread Size (D)	End Type	Material	Tip Diameter (D1) mm	Body Length (L) mm	Tip Length (H) mm	Drive	Initial Pressure (F1) N	Final Pressure (F2) N	Body Dia. (Long Stroke) d2 mm
				<i>inches</i>	<i>inches</i>	<i>inches</i>				<i>inches</i>
# PLBT-095C-231-CLK-100	3/8-16 UNC (9.525mm)	Ball	Steel with Long-Lok	6.10 <i>0.240</i>	23.11 <i>0.910</i>	2.03 <i>0.080</i>	Socketed	66.01	100.00	-
PLBT-100-190-CLK-035	M10x1.5 (10mm Standard)	Ball	Steel with Long-Lok	6.00 <i>0.236</i>	19.00 <i>0.748</i>	2.00 <i>0.079</i>	1.60mm Slotted Drive	20.00	35.00	-
# PLBT-100-190-CLK-100	M10x1.5 (10mm Standard)	Ball	Steel with Long-Lok	6.00 <i>0.236</i>	19.00 <i>0.748</i>	2.00 <i>0.079</i>	Slotted	66.00	100.00	-
# PLBT-100-23000-CLK-100	M10x1.5 (10mm Standard)	Ball	Steel with Long-Lok	6.00 <i>0.236</i>	2300 <i>90.551</i>	2.00 <i>0.079</i>	Socketed	66.00	100.00	-
# PLBT-100-230-CLK-035	M10x1.5 (10mm Standard)	Ball	Steel with Long-Lok	6.00 <i>0.236</i>	23.00 <i>0.906</i>	2.00 <i>0.079</i>	Socketed	20.00	35.00	-
# PLBT-120-220-CLK-120	M12x1.75 (12mm Standard)	Ball	Steel with Long-Lok	8.00 <i>0.315</i>	22.00 <i>0.866</i>	2.50 <i>0.098</i>	Slotted	66.00	120.00	-
# PLBT-120-260-CLK-055	M12x1.75 (12mm Standard)	Ball	Steel with Long-Lok	8.00 <i>0.315</i>	26.00 <i>1.024</i>	2.50 <i>0.098</i>	Socketed	30.00	55.00	-

Indicates item not stocked at time of printing - Please enquire for lead time

Page 8 of 10

E&OE Pricing and all details subject to change without notice - Copyright Miniature Bearings Australia Pty Ltd
MBA Size Listings are a guide to sizes only and must not be solely relied on for critical design information.

Plungers - Ball - Threaded - Steel - Threadlock

Part Number	Thread Size (D)	End Type	Material	Tip Diameter (D1) mm	Body Length (L) mm	Tip Length (H) mm	Drive	Initial Pressure (F1) N	Final Pressure (F2) N	Body Dia. (Long Stroke) d2 mm
				<i>inches</i>	<i>inches</i>	<i>inches</i>				<i>inches</i>
PLBT-120-220-CLK-055	M12x1.75 (12mm Standard)	Ball	Steel with Long-Lok	8.00 <i>0.315</i>	22.00 <i>0.866</i>	2.50 <i>0.098</i>	2.00mm Slotted Drive	30.00	55.00	-
# PLBT-120-260-CLK-120	M12x1.75 (12mm Standard)	Ball	Steel with Long-Lok	8.00 <i>0.315</i>	26.00 <i>1.024</i>	2.50 <i>0.098</i>	Socketed	66.00	120.00	-
# PLBT-127C-221-CLK-055	1/2-13 UNC (12.7mm)	Ball	Steel with Long-Lok	7.87 <i>0.310</i>	22.10 <i>0.870</i>	2.54 <i>0.100</i>	Slotted	29.98	54.98	-
# PLBT-127C-221-CLK-120	1/2-13 UNC (12.7mm)	Ball	Steel with Long-Lok	7.87 <i>0.310</i>	22.10 <i>0.870</i>	2.54 <i>0.100</i>	Slotted	66.01	120.01	-
# PLBT-127C-259-CLK-055	1/2-13 UNC (12.7mm)	Ball	Steel with Long-Lok	7.87 <i>0.310</i>	25.91 <i>1.020</i>	2.54 <i>0.100</i>	Socketed	29.98	54.98	-
# PLBT-127C-259-CLK-120	1/2-13 UNC (12.7mm)	Ball	Steel with Long-Lok	7.87 <i>0.310</i>	25.91 <i>1.020</i>	2.54 <i>0.100</i>	Socketed	66.01	120.01	-
# PLBT-159C-239-CLK-125	5/8-11 UNC (15.875mm)	Ball	Steel with Long-Lok	9.91 <i>0.390</i>	23.88 <i>0.940</i>	3.56 <i>0.140</i>	Slotted	64.99	124.99	-
# PLBT-159C-239-CLK-180	5/8-11 UNC (15.875mm)	Ball	Steel with Long-Lok	9.91 <i>0.390</i>	23.88 <i>0.940</i>	3.56 <i>0.140</i>	Slotted	89.99	179.97	-

Indicates item not stocked at time of printing - Please enquire for lead time

Page 9 of 10

E&OE Pricing and all details subject to change without notice - Copyright Miniature Bearings Australia Pty Ltd
MBA Size Listings are a guide to sizes only and must not be solely relied on for critical design information.

Plungers - Ball - Threaded - Steel - Threadlock

Part Number	Thread Size (D)	End Type	Material	Tip Diameter (D1) mm	Body Length (L) mm	Tip Length (H) mm	Drive	Initial Pressure (F1) N	Final Pressure (F2) N	Body Dia. (Long Stroke) d2 mm
				<i>inches</i>	<i>inches</i>	<i>inches</i>				<i>inches</i>
# PLBT-159C-330-CLK-125	5/8-11 UNC (15.875mm)	Ball	Steel with Long-Lok	9.91 <i>0.390</i>	33.02 <i>1.300</i>	3.56 <i>0.140</i>	Socketed	64.99	124.99	-
# PLBT-159C-330-CLK-180	5/8-11 UNC (15.875mm)	Ball	Steel with Long-Lok	9.91 <i>0.390</i>	33.02 <i>1.300</i>	3.56 <i>0.140</i>	Socketed	89.99	179.97	-
# PLBT-160-330-CLK-180	M16x2 (16mm Standard)	Ball	Steel with Long-Lok	10.00 <i>0.394</i>	33.00 <i>1.299</i>	3.50 <i>0.138</i>	Socketed	90.00	180.00	-
PLBT-160-240-CLK-125	M16x2 (16mm Standard)	Ball	Steel with Long-Lok	10.00 <i>0.394</i>	24.00 <i>0.945</i>	3.50 <i>0.138</i>	2.50mm Slotted Drive	65.00	125.00	-
# PLBT-160-240-CLK-180	M16x2 (16mm Standard)	Ball	Steel with Long-Lok	10.00 <i>0.394</i>	24.00 <i>0.945</i>	3.50 <i>0.138</i>	Slotted	90.00	180.00	-
# PLBT-160-330-CLK-125	M16x2 (16mm Standard)	Ball	Steel with Long-Lok	10.0 <i>0.394</i>	33.00 <i>1.299</i>	3.50 <i>0.138</i>	Socketed	65.00	125.00	-

Indicates item not stocked at time of printing - Please enquire for lead time

Page 10 of 10

E&OE Pricing and all details subject to change without notice - Copyright Miniature Bearings Australia Pty Ltd
MBA Size Listings are a guide to sizes only and must not be solely relied on for critical design information.

DISTRIBUTED BY

Distributed By:

