



Plungers - Ball - Threaded - Steel Body - Nylon Ball

10/4/2018

Indicates item not stocked at time of printing - Please enquire for lead time

E&OE Pricing and all details subject to change without notice - Copyright Miniature Bearings Australia Pty Ltd

MBA Size Listings are a guide to sizes only and must not be solely relied on for critical design information.

Page 1 of 6

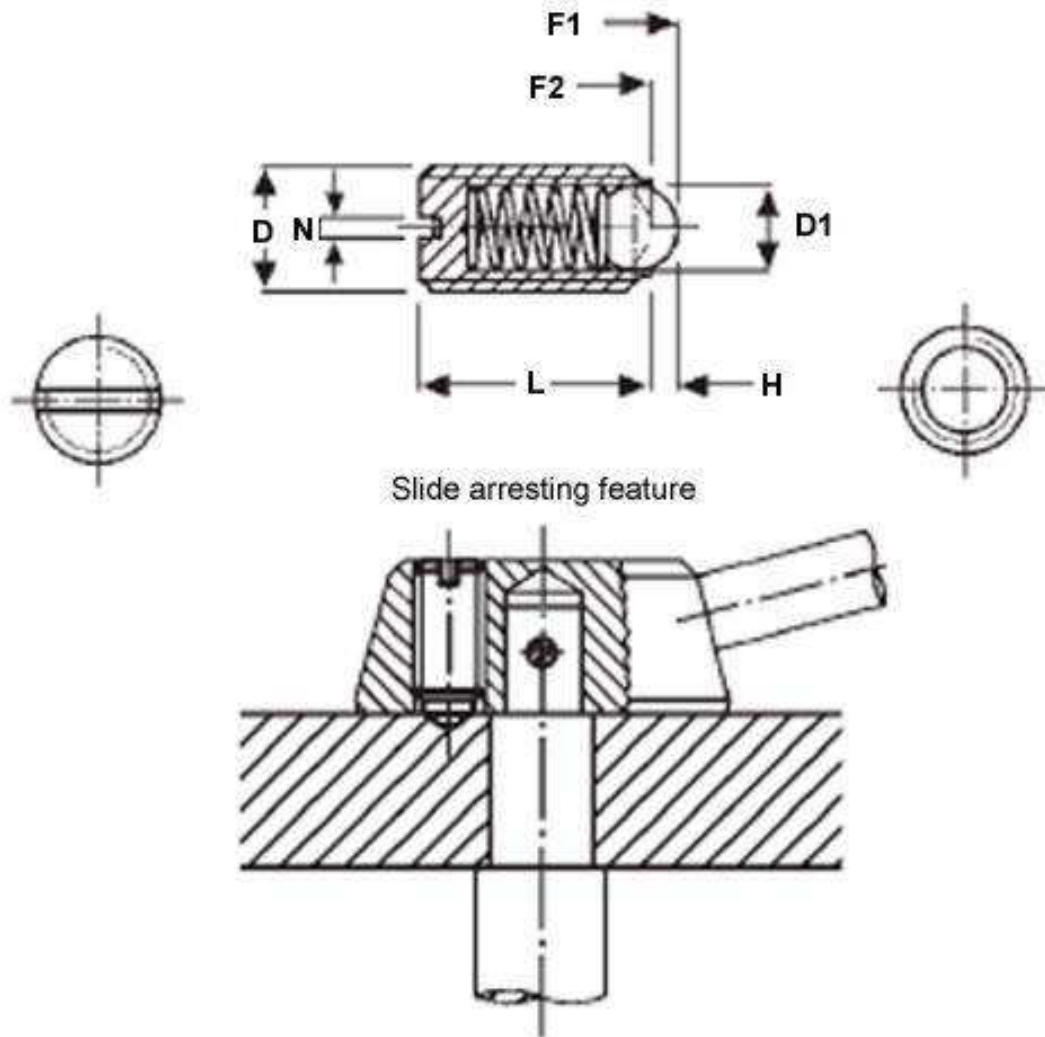
INFORMATION

Items shown with Long-Lok have a dry threadlocking sealant applied to thread.

Indicates item not stocked at time of printing - Please enquire for lead time

E&OE Pricing and all details subject to change without notice - Copyright Miniature Bearings Australia Pty Ltd

MBA Size Listings are a guide to sizes only and must not be solely relied on for critical design information.



Indicates item not stocked at time of printing - Please enquire for lead time

E&OE Pricing and all details subject to change without notice - Copyright Miniature Bearings Australia Pty Ltd

MBA Size Listings are a guide to sizes only and must not be solely relied on for critical design information.

Plungers - Ball - Threaded - Steel Body - Nylon Ball

Part Number	Thread Size (D)	End Type	Material	Tip Diameter (D1) mm	Body Length (L) mm	Tip Length (H) mm	Drive	Initial Pressure (F1) N	Final Pressure (F2) N	Body Dia. (Long Stroke) d2 mm
				<i>inches</i>	<i>inches</i>	<i>inches</i>				<i>inches</i>
# PLBT-028F-048-CN-002	4-48 UNF (2.845mm)	Ball	Steel	1.58 <i>0.062</i>	4.75 <i>0.187</i>	0.51 <i>0.020</i>	Slotted	0.56	2.22	
# PLBT-032C-064-CN-003	5-40 UNC (3.175mm)	Ball	Steel	1.58 <i>0.062</i>	6.35 <i>0.250</i>	0.51 <i>0.020</i>	Slotted	1.11	3.34	
# PLBT-035F-079-CN-004	6-40 UNF (3.5mm)	Ball	Steel	1.98 <i>0.078</i>	7.93 <i>0.312</i>	0.58 <i>0.023</i>	Slotted	2.22	4.45	
# PLBT-042C-087-CN-006	8-32 UNC (4.166mm)	Ball	Steel	2.38 <i>0.094</i>	8.74 <i>0.344</i>	0.64 <i>0.025</i>	Slotted	2.22	5.56	
# PLBT-042F-087-CN-006	8-36 UNF (4.166mm)	Ball	Steel	2.38 <i>0.094</i>	8.74 <i>0.344</i>	0.64 <i>0.025</i>	Slotted	2.22	5.56	
# PLBT-048F-130-CN-007	10-32 UNF (4.762mm)	Ball	Steel	2.38 <i>0.094</i>	13.03 <i>0.513</i>	0.64 <i>0.025</i>	Slotted	2.22	6.67	
# PLBT-048F-130-CN-013	10-32 UNF (4.762mm)	Ball	Steel	2.38 <i>0.094</i>	13.03 <i>0.513</i>	0.64 <i>0.025</i>	Slotted	6.67	13.35	
# PLBT-048F-130-CN-022	10-32 UNF (4.762mm)	Ball	Steel	2.38 <i>0.094</i>	13.03 <i>0.513</i>	0.64 <i>0.025</i>	Slotted	8.90	22.24	

Indicates item not stocked at time of printing - Please enquire for lead time

E&OE Pricing and all details subject to change without notice - Copyright Miniature Bearings Australia Pty Ltd

MBA Size Listings are a guide to sizes only and must not be solely relied on for critical design information.

Plungers - Ball - Threaded - Steel Body - Nylon Ball

Part Number	Thread Size (D)	End Type	Material	Tip Diameter (D1) mm	Body Length (L) mm	Tip Length (H) mm	Drive	Initial Pressure (F1) N	Final Pressure (F2) N	Body Dia. (Long Stroke) d2 mm
				<i>inches</i>	<i>inches</i>	<i>inches</i>				<i>inches</i>
# PLBT-064C-135-CN-053	1/4-20 UNC (6.35mm)	Ball	Steel	3.18 <i>0.125</i>	13.49 <i>0.531</i>	0.89 <i>0.035</i>	Slotted	17.79	53.38	
# PLBT-064C-135-CN-018	1/4-20 UNC (6.35mm)	Ball	Steel	3.18 <i>0.125</i>	13.49 <i>0.531</i>	0.89 <i>0.035</i>	Slotted	8.90	17.79	
# PLBT-064C-135-CN-031	1/4-20 UNC (6.35mm)	Ball	Steel	3.18 <i>0.125</i>	13.49 <i>0.531</i>	0.89 <i>0.035</i>	Slotted	13.35	31.14	
# PLBT-079C-147-CN-040	5/16-18 UNC (7.938mm)	Ball	Steel	3.96 <i>0.156</i>	14.68 <i>0.578</i>	1.02 <i>0.040</i>	Slotted	17.79	40.03	
# PLBT-079C-147-CN-076	5/16-18 UNC (7.938mm)	Ball	Steel	3.96 <i>0.156</i>	14.68 <i>0.578</i>	1.02 <i>0.040</i>	Slotted	26.69	75.62	
# PLBT-079C-147-CN-020	5/16-18 UNC (7.938mm)	Ball	Steel	3.96 <i>0.156</i>	14.68 <i>0.578</i>	1.02 <i>0.040</i>	Slotted	8.90	20.02	
# PLBT-095C-159-CN-022	3/8-16 UNC (9.525mm)	Ball	Steel	4.76 <i>0.187</i>	15.88 <i>0.625</i>	1.22 <i>0.048</i>	Slotted	11.12	22.24	
# PLBT-095C-159-CN-044	3/8-16 UNC (9.525mm)	Ball	Steel	4.76 <i>0.187</i>	15.88 <i>0.625</i>	1.22 <i>0.048</i>	Slotted	22.24	44.48	

Indicates item not stocked at time of printing - Please enquire for lead time

E&OE Pricing and all details subject to change without notice - Copyright Miniature Bearings Australia Pty Ltd

MBA Size Listings are a guide to sizes only and must not be solely relied on for critical design information.

Plungers - Ball - Threaded - Steel Body - Nylon Ball

Part Number	Thread Size (D)	End Type	Material	Tip Diameter (D1) mm	Body Length (L) mm	Tip Length (H) mm	Drive	Initial Pressure (F1) N	Final Pressure (F2) N	Body Dia. (Long Stroke) d2 mm
				<i>inches</i>	<i>inches</i>	<i>inches</i>				<i>inches</i>
# PLBT-095C-159-CN-093	3/8-16 UNC (9.525mm)	Ball	Steel	4.76 <i>0.187</i>	15.88 <i>0.625</i>	1.22 <i>0.048</i>	Slotted	26.69	93.41	
# PLBT-127C-191-CN-027	1/2-13 UNC (12.7mm)	Ball	Steel	7.15 <i>0.281</i>	19.05 <i>0.750</i>	1.83 <i>0.072</i>	Slotted	13.35	26.69	
# PLBT-127C-191-CN-053	1/2-13 UNC (12.7mm)	Ball	Steel	7.15 <i>0.281</i>	19.05 <i>0.750</i>	1.83 <i>0.072</i>	Slotted	26.69	53.38	
# PLBT-127C-191-CN-133	1/2-13 UNC (12.7mm)	Ball	Steel	7.15 <i>0.281</i>	19.05 <i>0.750</i>	1.83 <i>0.072</i>	Slotted	26.69	133.45	
# PLBT-159C-250-CN-222	5/8-11 UNC (15.875mm)	Ball	Steel	9.53 <i>0.375</i>	24.99 <i>0.984</i>	2.44 <i>0.096</i>	Slotted	31.14	222.41	
# PLBT-159C-250-CN-080	5/8-11 UNC (15.875mm)	Ball	Steel	9.53 <i>0.375</i>	24.99 <i>0.984</i>	2.44 <i>0.096</i>	Slotted	40.03	80.07	

Indicates item not stocked at time of printing - Please enquire for lead time

Page 6 of 6

E&OE Pricing and all details subject to change without notice - Copyright Miniature Bearings Australia Pty Ltd
MBA Size Listings are a guide to sizes only and must not be solely relied on for critical design information.

DISTRIBUTED BY

Distributed By:

