



# Plungers - Ball - Threaded - With Limit Switch

10/4/2018

# Indicates item not stocked at time of printing - Please enquire for lead time

E&OE Pricing and all details subject to change without notice - Copyright Miniature Bearings Australia Pty Ltd

MBA Size Listings are a guide to sizes only and must not be solely relied on for critical design information.

Page 1 of 4

## INFORMATION

Suitable for locking and releasing a device by using a built-in electrical switch. Stainless steel spring, nickel plated body, hardened steel ball.

Supply Cable : Grey for normally open contacts, black for normally closed. Oil resistant. Max tensile load 20N.

Working Temperature: -10 deg C to 80 deg C.

Electrical Supply : 20 mA DC Max. Switching load recommended 5-10 mA.

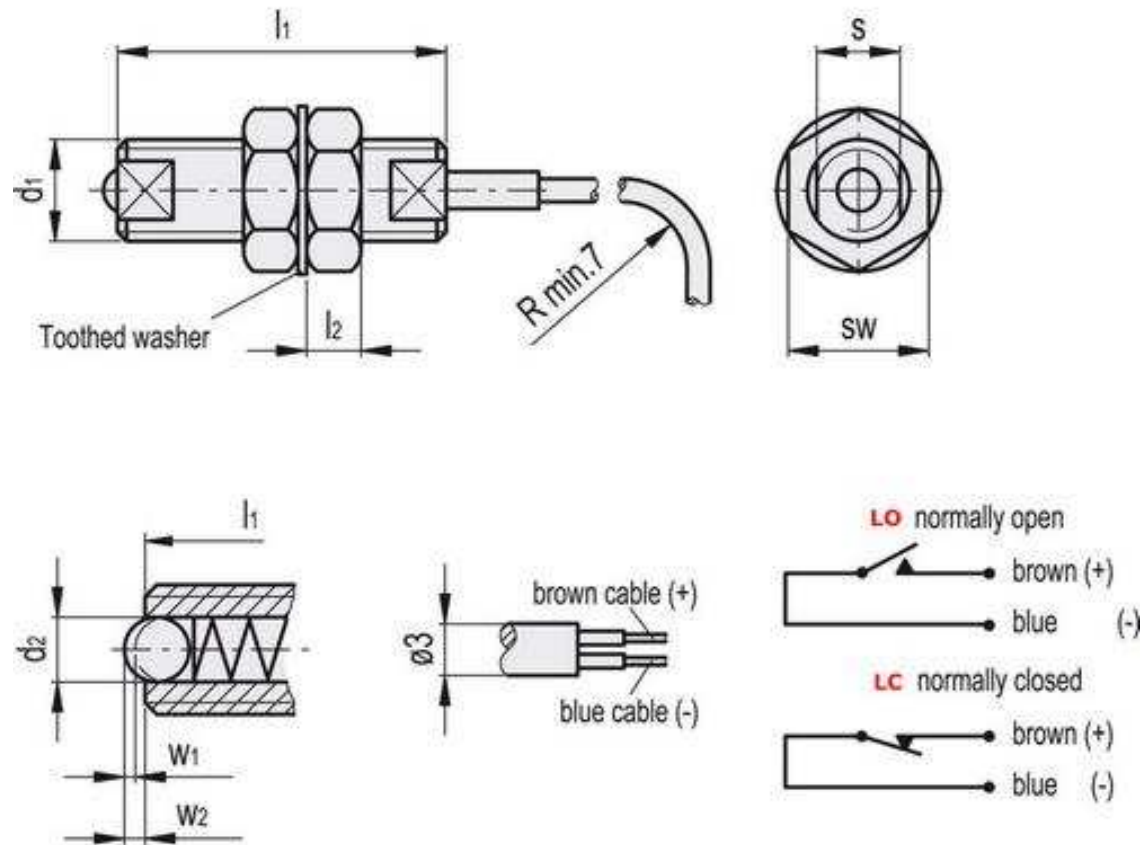
Voltage : 12-24V Supply Cable 3mm - 2 Phase, 2 metres long.

Safety Standard : IP40 Average Switch Life Span : 3 million switchings

# Indicates item not stocked at time of printing - Please enquire for lead time

E&OE Pricing and all details subject to change without notice - Copyright Miniature Bearings Australia Pty Ltd

MBA Size Listings are a guide to sizes only and must not be solely relied on for critical design information.



# Indicates item not stocked at time of printing - Please enquire for lead time

E&OE Pricing and all details subject to change without notice - Copyright Miniature Bearings Australia Pty Ltd

MBA Size Listings are a guide to sizes only and must not be solely relied on for critical design information.

## Plungers - Ball - Threaded - With Limit Switch

Part Number	Thread Size (d)	End Type	Material	Tip Diameter (d1) mm	Body Length (l) mm	Tip Length (l3) mm	Contact	Initial Pressure (F1) N	Final Pressure (F2) N	Contact Distance (l2) mm
				<i>inches</i>	<i>inches</i>	<i>inches</i>				<i>inches</i>
# PLBT-060-200-LC-013	M6x1 (6mm Standard)	Ball	Nickel Plated Steel	3.00	27.00	0.80	Normally Closed	6.00	13.00	0.3
				<i>0.118</i>	<i>1.063</i>	<i>0.031</i>				<i>0.012</i>
# PLBT-060-200-LO-013	M6x1 (6mm Standard)	Ball	Nickel Plated Steel	3.00	27.00	0.80	Normally Open	6.00	13.00	0.3
				<i>0.118</i>	<i>1.063</i>	<i>0.031</i>				<i>0.012</i>
# PLBT-080-230-LO-016	M8x1.25 (8mm Standard)	Ball	Nickel Plated Steel	4.00	30.00	1.00	Normally Open	8.00	16.00	0.5
				<i>0.157</i>	<i>1.181</i>	<i>0.039</i>				<i>0.020</i>
# PLBT-080-230-LC-016	M8x1.25 (8mm Standard)	Ball	Nickel Plated Steel	4.00	30.00	1.00	Normally Closed	8.00	16.00	0.5
				<i>0.157</i>	<i>1.181</i>	<i>0.039</i>				<i>0.020</i>
# PLBT-100-270-LO-020	M10x1.5 (10mm Standard)	Ball	Nickel Plated Steel	5.00	33.00	1.20	Normally Open	10.00	20.00	0.7
				<i>0.197</i>	<i>1.299</i>	<i>0.047</i>				<i>0.028</i>
# PLBT-100-270-LC-020	M10x1.5 (10mm Standard)	Ball	Nickel Plated Steel	5.00	33.00	1.20	Normally Closed	10.00	20.00	0.7
				<i>0.197</i>	<i>1.299</i>	<i>0.047</i>				<i>0.028</i>

# Indicates item not stocked at time of printing - Please enquire for lead time

Page 4 of 4

E&OE Pricing and all details subject to change without notice - Copyright Miniature Bearings Australia Pty Ltd

MBA Size Listings are a guide to sizes only and must not be solely relied on for critical design information.

DISTRIBUTED BY

Distributed By:

