



# Plungers - Indexing - Cam Action - Without Hex Nut

10/4/2018

# Indicates item not stocked at time of printing - Please enquire for lead time

E&OE Pricing and all details subject to change without notice - Copyright Miniature Bearings Australia Pty Ltd

MBA Size Listings are a guide to sizes only and must not be solely relied on for critical design information.

Page 1 of 4

## INFORMATION

Used in many tooling applications as well as on many types of machinery and equipment.

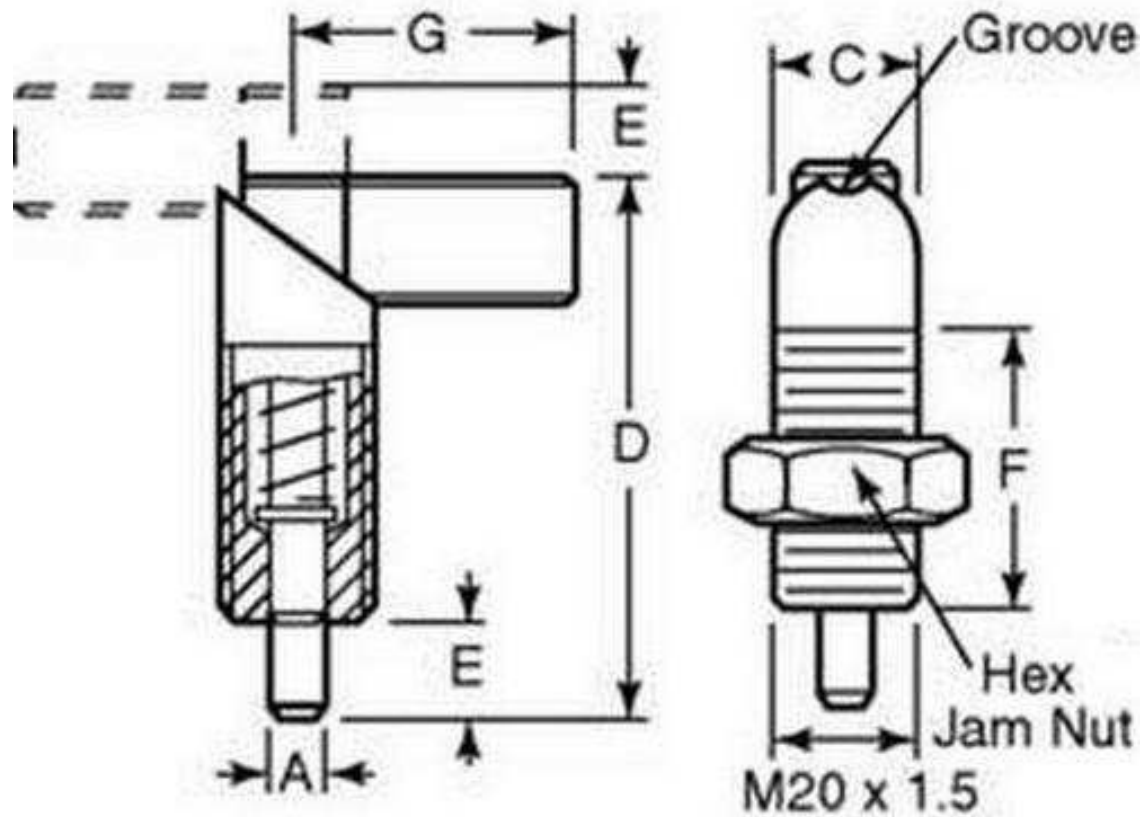
Plunger is retracted as the needle is turned on the cam of the body.

Groove on top of cam locks the plunger into retracted position

Body made from black oxide coated steel

Plunger is made from steel, ground and nitrided.

This catalogue to be read in conjunction with information at  
<http://www.minibearings.com.au//partslist/plungersindexingcamactionmountingblocks/all/1/>



# Indicates item not stocked at time of printing - Please enquire for lead time

E&OE Pricing and all details subject to change without notice - Copyright Miniature Bearings Australia Pty Ltd

MBA Size Listings are a guide to sizes only and must not be solely relied on for critical design information.

## Plungers - Indexing - Cam Action - Without Hex Nut

Part Number	Nose Diameter (A) mm <i>inches</i>	Initial End Force Kg	Final End Force Kg	Body Diameter (C) mm <i>inches</i>	Overall Length (D) mm <i>inches</i>	Tip Length (E) mm <i>inches</i>	Thread Length (F) mm <i>inches</i>	Handle Length (G) mm <i>inches</i>
# PLIT-080-200-150-69-CA	8.00 <i>0.315</i>	9.5	11.4	20.066 <i>0.790</i>	69.088 <i>2.720</i>	11.938 <i>0.470</i>	36.068 <i>1.420</i>	37.084 <i>1.460</i>
# PLIT-100-200-150-69-CA	10.000 <i>0.394</i>	9.5	11.4	20.066 <i>0.790</i>	69.088 <i>2.720</i>	11.938 <i>0.470</i>	36.068 <i>1.420</i>	37.084 <i>1.460</i>
# PLIT-120-200-150-69-CA	12.000 <i>0.472</i>	9.5	11.4	20.066 <i>0.790</i>	69.088 <i>2.720</i>	11.938 <i>0.470</i>	36.068 <i>1.420</i>	37.084 <i>1.460</i>

# Indicates item not stocked at time of printing - Please enquire for lead time

E&OE Pricing and all details subject to change without notice - Copyright Miniature Bearings Australia Pty Ltd

MBA Size Listings are a guide to sizes only and must not be solely relied on for critical design information.

DISTRIBUTED BY

Distributed By:

