



Plungers - Indexing - Cam Action Mounting Blocks

10/4/2018

Indicates item not stocked at time of printing - Please enquire for lead time

E&OE Pricing and all details subject to change without notice - Copyright Miniature Bearings Australia Pty Ltd

MBA Size Listings are a guide to sizes only and must not be solely relied on for critical design information.

Page 1 of 4

INFORMATION

Used with cam action indexing plungers

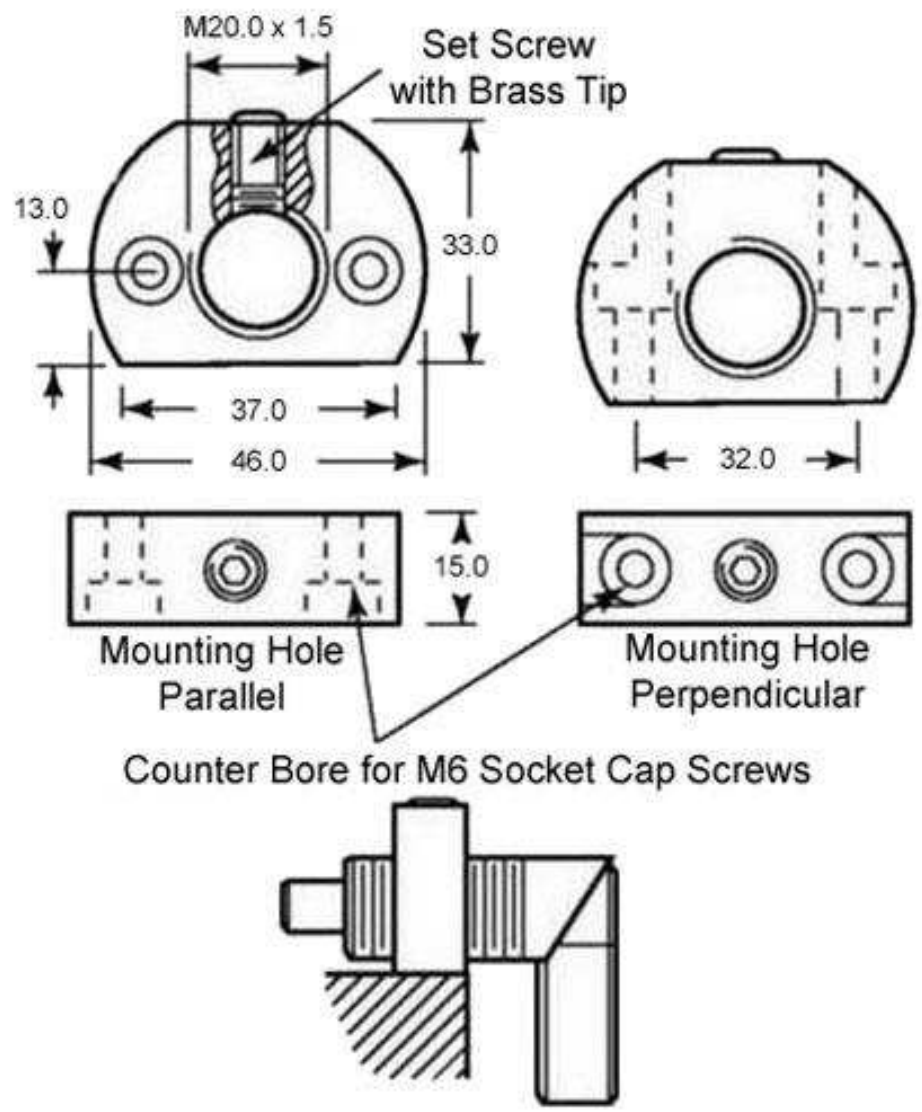
Mounting blocks are made from steel with black oxide finish.

This catalogue to be read in conjunction with information at <http://www.minibearings.com.au//partslist/plungersindexingcamactionwithhexnut/all/1/>
<http://www.minibearings.com.au//partslist/plungersindexingcamactionwithouthexnut/all/1/>

Indicates item not stocked at time of printing - Please enquire for lead time

E&OE Pricing and all details subject to change without notice - Copyright Miniature Bearings Australia Pty Ltd

MBA Size Listings are a guide to sizes only and must not be solely relied on for critical design information.



Indicates item not stocked at time of printing - Please enquire for lead time

E&OE Pricing and all details subject to change without notice - Copyright Miniature Bearings Australia Pty Ltd
 MBA Size Listings are a guide to sizes only and must not be solely relied on for critical design information.

Plungers - Indexing - Cam Action Mounting Blocks

Part Number	Hole Style	Overall Height mm	Overall Width mm	Thread Hole Size	Overall Thickness mm
		<i>inches</i>	<i>inches</i>		<i>inches</i>
# WCP-40RS	Parallel Hole	33.02 <i>1.300</i>	45.97 <i>1.810</i>	M20.0x1.50 (20.0mm)	14.99 <i>0.590</i>
# WCP-45RS	Perpendicular Hole	33.02 <i>1.300</i>	45.97 <i>1.810</i>	M20.0x1.50 (20.0mm)	14.99 <i>0.590</i>

Indicates item not stocked at time of printing - Please enquire for lead time

E&OE Pricing and all details subject to change without notice - Copyright Miniature Bearings Australia Pty Ltd

MBA Size Listings are a guide to sizes only and must not be solely relied on for critical design information.

DISTRIBUTED BY

Distributed By:

