



Plungers - Indexing - Non Locking - Steel

10/4/2018

Indicates item not stocked at time of printing - Please enquire for lead time

E&OE Pricing and all details subject to change without notice - Copyright Miniature Bearings Australia Pty Ltd

MBA Size Listings are a guide to sizes only and must not be solely relied on for critical design information.

Page 1 of 4

INFORMATION

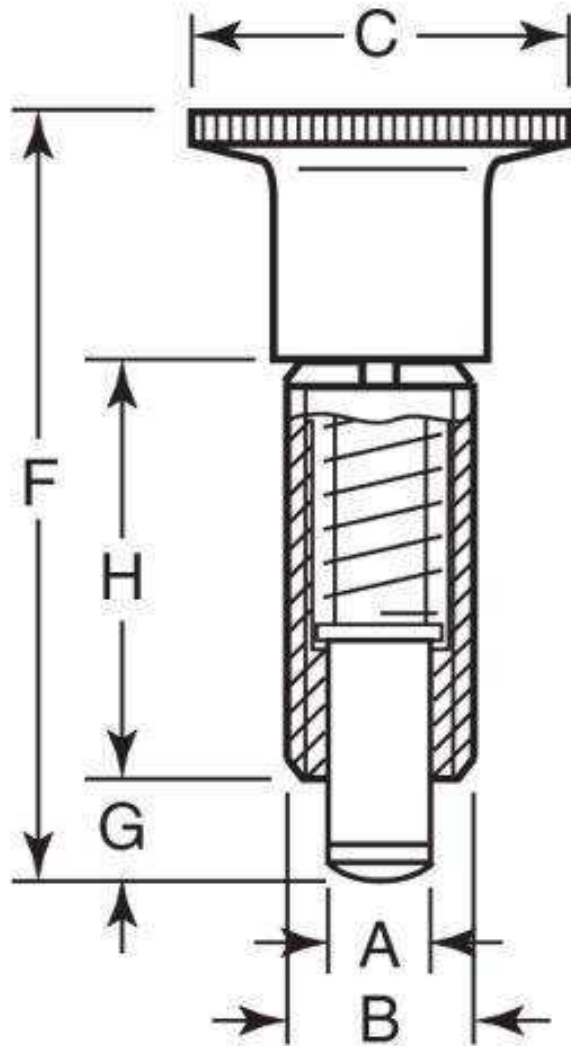
Used to prevent change in locking position due to shearing force. Spring loaded for use in fastening, locating and indexing on equipment, tooling and other applications.

Body and pin are steel with black oxide finish.

Indicates item not stocked at time of printing - Please enquire for lead time

E&OE Pricing and all details subject to change without notice - Copyright Miniature Bearings Australia Pty Ltd

MBA Size Listings are a guide to sizes only and must not be solely relied on for critical design information.



Indicates item not stocked at time of printing - Please enquire for lead time

E&OE Pricing and all details subject to change without notice - Copyright Miniature Bearings Australia Pty Ltd

MBA Size Listings are a guide to sizes only and must not be solely relied on for critical design information.

Plungers - Indexing - Non Locking - Steel

Part Number	Tip Diameter (A) mm	Initial End Force Kg	Final End Force Kg	Thread (B)	Body Diameter (C) mm	Length (F) mm	Nose Length (G) mm	Thread Length (H) mm	Installation Tool
	<i>inches</i>				<i>inches</i>	<i>inches</i>	<i>inches</i>	<i>inches</i>	
# PLIT-050-100-100-21-C	5.00	0.71	1.63	M10.0x1.00 (10.0mm)	21.00	45.00	5.00	22.00	WIP-5005
	<i>0.197</i>				<i>0.827</i>	<i>1.772</i>	<i>0.197</i>	<i>0.866</i>	
# PLIT-060-120-150-25-C	6.00	0.71	1.63	M12.0x1.50 (12.0mm)	25.00	54.50	6.00	26.00	WIP-5010
	<i>0.236</i>				<i>0.984</i>	<i>2.146</i>	<i>0.236</i>	<i>1.024</i>	
# PLIT-080-160-150-31-C	8.00	1.22	3.16	M16.0x1.50 (16.0mm)	31.00	69.00	8.00	34.00	WIP-5015
	<i>0.315</i>				<i>1.220</i>	<i>2.717</i>	<i>0.315</i>	<i>1.339</i>	
# PLIT-100-200-150-31-C	10.00	2.04	4.59	M20.0x1.50 (20.0mm)	31.00	80.00	10.00	43.00	WIP-5020
	<i>0.394</i>				<i>1.220</i>	<i>3.150</i>	<i>0.394</i>	<i>1.693</i>	

Indicates item not stocked at time of printing - Please enquire for lead time

Page 4 of 4

E&OE Pricing and all details subject to change without notice - Copyright Miniature Bearings Australia Pty Ltd

MBA Size Listings are a guide to sizes only and must not be solely relied on for critical design information.

DISTRIBUTED BY

Distributed By:

