



# Plungers - Indexing - Non Locking - With Mounting Plate - Steel

10/4/2018

# Indicates item not stocked at time of printing - Please enquire for lead time

E&OE Pricing and all details subject to change without notice - Copyright Miniature Bearings Australia Pty Ltd

MBA Size Listings are a guide to sizes only and must not be solely relied on for critical design information.

Page 1 of 4

## INFORMATION

Used to prevent change in locking position due to shearing force. Spring loaded for use in fastening, locating and indexing on equipment, tooling and other applications.

Spring loaded to work in a variety of applications on both tooling and equipment that require surface mounting.

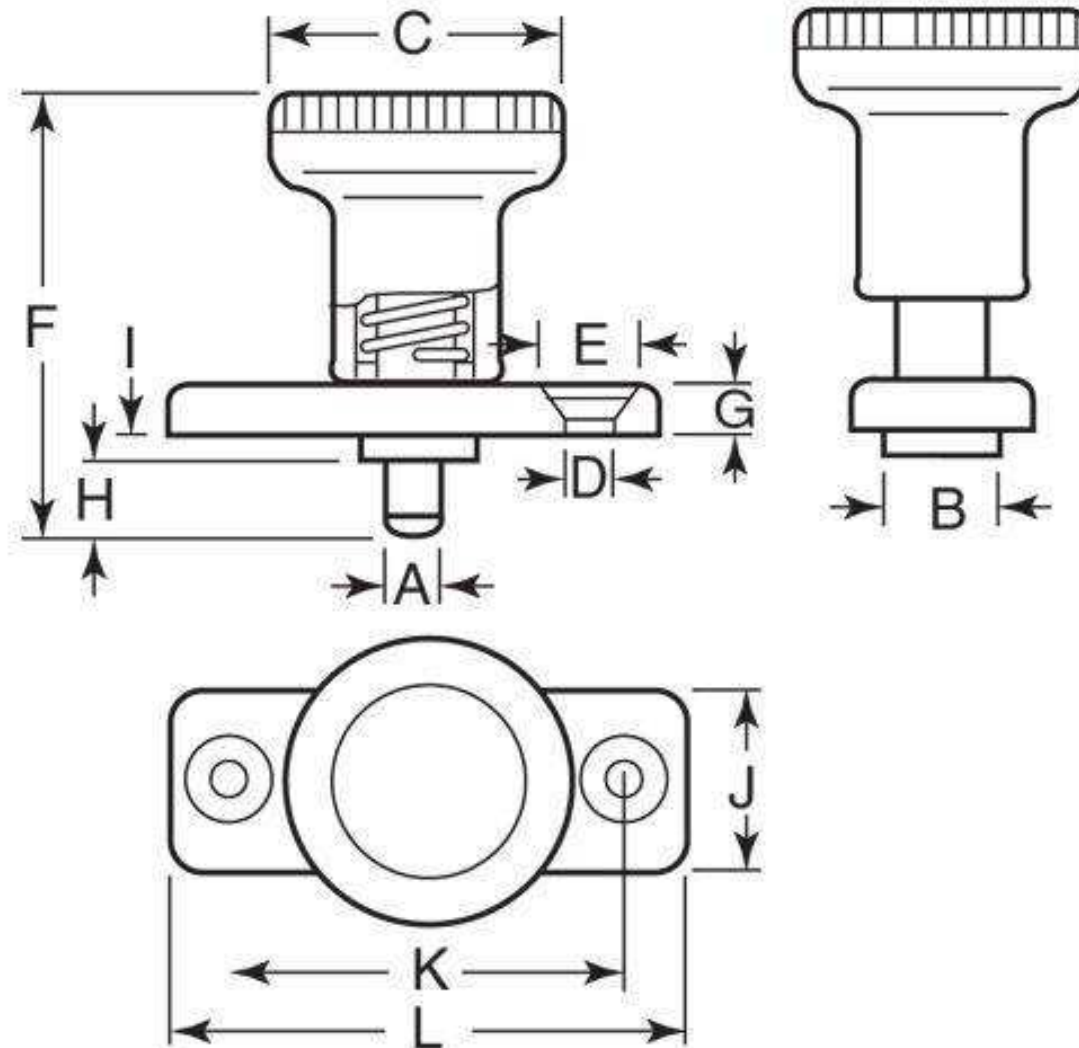
Plunger is hardened and ground.

Knob is black matte plastic. Mounting plate is zinc plated steel.

# Indicates item not stocked at time of printing - Please enquire for lead time

E&OE Pricing and all details subject to change without notice - Copyright Miniature Bearings Australia Pty Ltd

MBA Size Listings are a guide to sizes only and must not be solely relied on for critical design information.



# Indicates item not stocked at time of printing - Please enquire for lead time

E&OE Pricing and all details subject to change without notice - Copyright Miniature Bearings Australia Pty Ltd

MBA Size Listings are a guide to sizes only and must not be solely relied on for critical design information.

## Plungers - Indexing - Non Locking - With Mounting Plate - Steel

| Part Number            | Tip Diameter (A) mm | Initial End Force N | Final End Force N | B mm                 | Knob Diameter (C) mm | D mm                | E mm                 | Overall Height (F) mm | Plate Thickness (G) mm | Tip Length (H) mm   |
|------------------------|---------------------|---------------------|-------------------|----------------------|----------------------|---------------------|----------------------|-----------------------|------------------------|---------------------|
|                        | <i>inches</i>       |                     |                   | <i>inches</i>        | <i>inches</i>        | <i>inches</i>       | <i>inches</i>        | <i>inches</i>         | <i>inches</i>          | <i>inches</i>       |
| # PLI-M-060-100-25-M-C | 6.0<br><i>0.236</i> | 4.59                | 2.24              | 10.0<br><i>0.394</i> | 25.0<br><i>0.984</i> | 4.3<br><i>0.169</i> | 8.3<br><i>0.327</i>  | 37.0<br><i>1.457</i>  | 4.5<br><i>0.177</i>    | 6.0<br><i>0.236</i> |
| # PLI-M-080-120-31-M-C | 8.0<br><i>0.315</i> | 1.58                | 2.86              | 12.0<br><i>0.472</i> | 31.0<br><i>1.220</i> | 5.3<br><i>0.209</i> | 10.4<br><i>0.409</i> | 44.0<br><i>1.732</i>  | 5.5<br><i>0.217</i>    | 8.0<br><i>0.315</i> |

# Indicates item not stocked at time of printing - Please enquire for lead time

E&OE Pricing and all details subject to change without notice - Copyright Miniature Bearings Australia Pty Ltd  
MBA Size Listings are a guide to sizes only and must not be solely relied on for critical design information.

DISTRIBUTED BY

Distributed By:

