



Plungers - Indexing - Precision - With Support - Ball Grip

10/4/2018

Indicates item not stocked at time of printing - Please enquire for lead time

E&OE Pricing and all details subject to change without notice - Copyright Miniature Bearings Australia Pty Ltd

MBA Size Listings are a guide to sizes only and must not be solely relied on for critical design information.

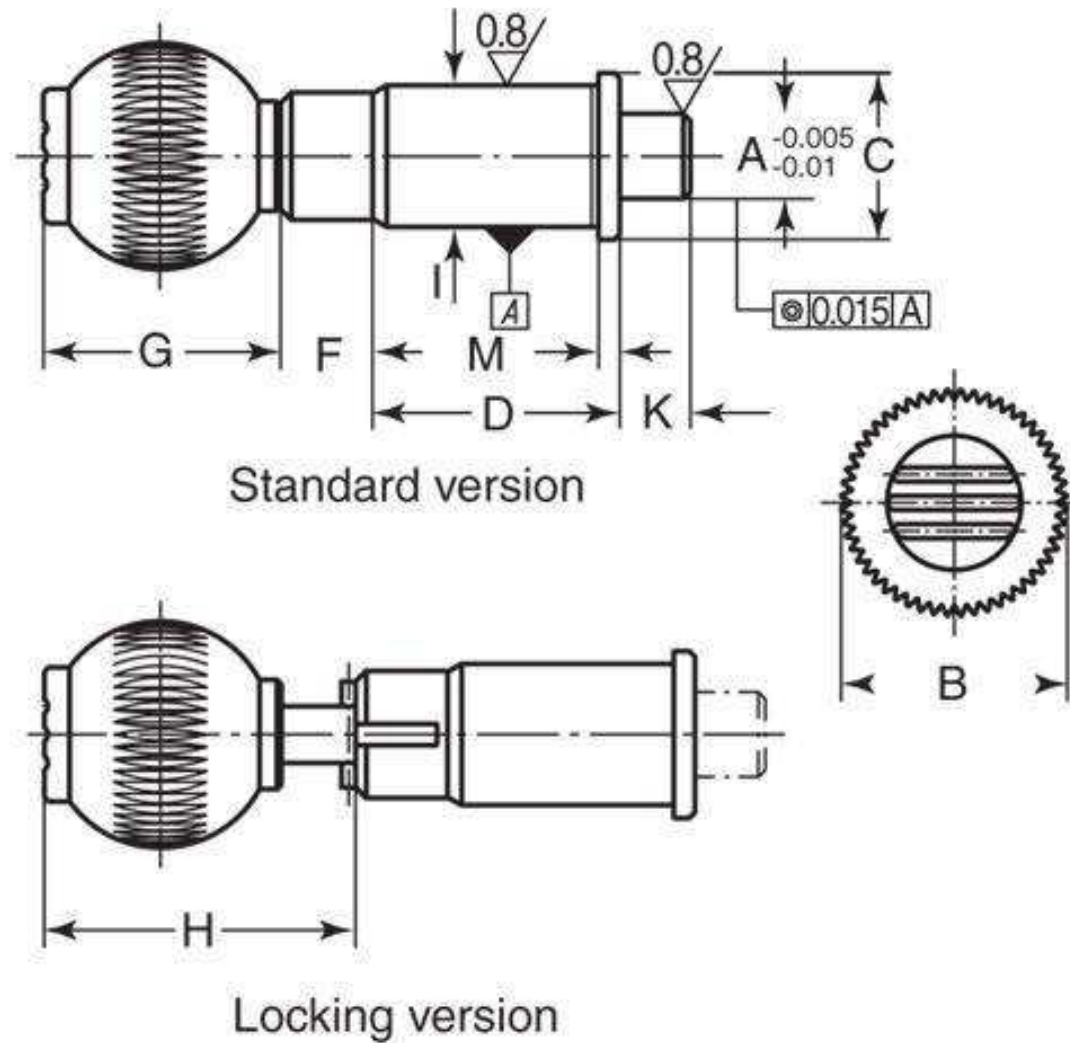
INFORMATION

Used to prevent change in locking position due to shearing force. Spring loaded for use in fastening, locating and indexing on equipment, tooling and other applications.

Indicates item not stocked at time of printing - Please enquire for lead time

E&OE Pricing and all details subject to change without notice - Copyright Miniature Bearings Australia Pty Ltd

MBA Size Listings are a guide to sizes only and must not be solely relied on for critical design information.



Indicates item not stocked at time of printing - Please enquire for lead time

E&OE Pricing and all details subject to change without notice - Copyright Miniature Bearings Australia Pty Ltd

MBA Size Listings are a guide to sizes only and must not be solely relied on for critical design information.

Plungers - Indexing - Precision - With Support - Ball Grip

Part Number	Tip Diameter (A) mm	Initial End Force Kg	Final End Force Kg	Knob Diameter (B) mm	Flange Diameter (C) mm	Body Length (D) mm	Shoulder Length (F) mm	Knob Length (G) mm	Body Diameter (I) mm	Tip Length (K) mm
	<i>inches</i>			<i>inches</i>	<i>inches</i>	<i>inches</i>	<i>inches</i>	<i>inches</i>	<i>inches</i>	<i>inches</i>
# PLI-P-100-250-19-L-BG	10.00 <i>0.394</i>	1.53	3.06	25.00 <i>0.984</i>	19.00 <i>0.748</i>	31.00 <i>1.220</i>	13.00 <i>0.512</i>	25.00 <i>0.984</i>	16.00 <i>0.630</i>	10.00 <i>0.394</i>
# PLI-P-120-320-23-SP-BG	12.00 <i>0.472</i>	1.53	3.57	32.00 <i>1.260</i>	23.00 <i>0.906</i>	35.00 <i>1.378</i>	13.00 <i>0.512</i>	33.00 <i>1.299</i>	20.00 <i>0.787</i>	10.00 <i>0.394</i>
# PLI-P-160-400-28-SP-BG	16.00 <i>0.630</i>	2.04	5.10	40.00 <i>1.575</i>	28.00 <i>1.102</i>	42.00 <i>1.654</i>	13.00 <i>0.512</i>	41.50 <i>1.634</i>	25.00 <i>0.984</i>	10.00 <i>0.394</i>
# PLI-P-200-400-33-SP-BG	20.00 <i>0.787</i>	3.67	6.42	40.00 <i>1.575</i>	33.00 <i>1.299</i>	50.00 <i>1.969</i>	13.00 <i>0.512</i>	41.50 <i>1.634</i>	30.00 <i>1.181</i>	10.00 <i>0.394</i>
# PLI-P-250-500-42-SP-BG	25.00 <i>0.984</i>	2.04	7.44	50.00 <i>1.969</i>	42.00 <i>1.654</i>	60.00 <i>2.362</i>	13.00 <i>0.512</i>	51.00 <i>2.008</i>	38.00 <i>1.496</i>	10.00 <i>0.394</i>

Indicates item not stocked at time of printing - Please enquire for lead time

Page 4 of 4

E&OE Pricing and all details subject to change without notice - Copyright Miniature Bearings Australia Pty Ltd

MBA Size Listings are a guide to sizes only and must not be solely relied on for critical design information.

DISTRIBUTED BY

Distributed By:

