



Plungers - Indexing - Pull Knob - 303 Stainless

10/4/2018

Indicates item not stocked at time of printing - Please enquire for lead time

E&OE Pricing and all details subject to change without notice - Copyright Miniature Bearings Australia Pty Ltd

MBA Size Listings are a guide to sizes only and must not be solely relied on for critical design information.

Page 1 of 5

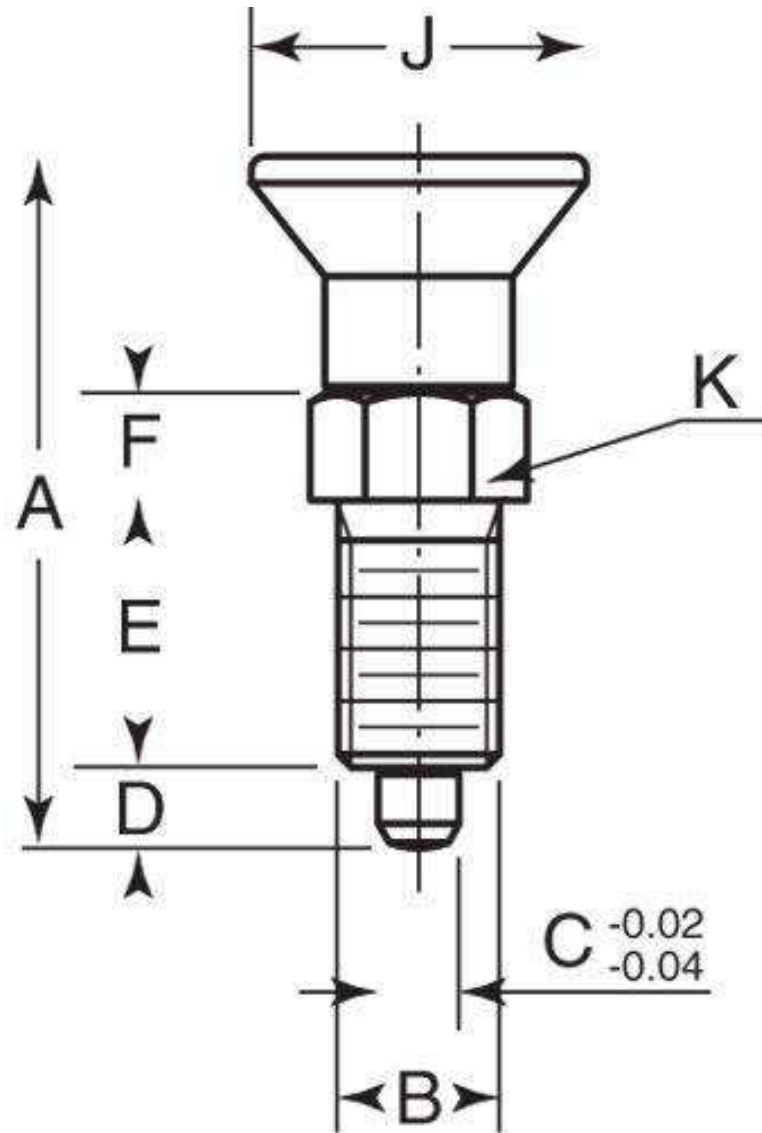
INFORMATION

With thermoplastic knob

Indicates item not stocked at time of printing - Please enquire for lead time

E&OE Pricing and all details subject to change without notice - Copyright Miniature Bearings Australia Pty Ltd

MBA Size Listings are a guide to sizes only and must not be solely relied on for critical design information.



Indicates item not stocked at time of printing - Please enquire for lead time

E&OE Pricing and all details subject to change without notice - Copyright Miniature Bearings Australia Pty Ltd

MBA Size Listings are a guide to sizes only and must not be solely relied on for critical design information.

Plungers - Indexing - Pull Knob - 303 Stainless

| Part Number | Tip Diameter (C) mm | Initial End Force Kg | Final End Force Kg | Thread (B) | Overall Length (A) mm | Tip Length (D) mm | Thread Length (E) mm | Nut Height (F) mm | Knob Diameter (J) mm | Hex Diameter (K) mm |
|-----------------------------|---------------------|----------------------|--------------------|--------------------------|-----------------------|-------------------|----------------------|-------------------|----------------------|---------------------|
| | <i>inches</i> | | | | <i>inches</i> | <i>inches</i> | <i>inches</i> | <i>inches</i> | <i>inches</i> | <i>inches</i> |
| # PLIT-030-060-075-32-KP-S3 | 3.00 | 0.46 | 1.12 | M6.0x0.75 (6.0mm) | 31.50 | 3.50 | 12.00 | 5.00 | 14.00 | 8.00 |
| | <i>0.118</i> | | | | <i>1.240</i> | <i>0.138</i> | <i>0.472</i> | <i>0.197</i> | <i>0.551</i> | <i>0.315</i> |
| # PLIT-040-080-100-39-KP-S3 | 4.00 | 0.61 | 1.22 | M8.0x1.00 (8.0mm) | 38.50 | 4.00 | 15.00 | 6.00 | 18.00 | 10.00 |
| | <i>0.157</i> | | | | <i>1.516</i> | <i>0.157</i> | <i>0.591</i> | <i>0.236</i> | <i>0.709</i> | <i>0.394</i> |
| # PLIT-050-095F-43-KP-S3 | 4.98 | 0.51 | 1.22 | 3/8-24 UNF (9.525mm) | 43.49 | 4.98 | 16.99 | 6.99 | 20.98 | 12.98 |
| | <i>0.196</i> | | | | <i>1.712</i> | <i>0.196</i> | <i>0.669</i> | <i>0.275</i> | <i>0.826</i> | <i>0.511</i> |
| # PLIT-050-100-100-44-KP-S3 | 5.00 | 0.51 | 1.22 | M10.0x1.00 (10.0mm) | 43.50 | 5.00 | 17.00 | 7.00 | 21.00 | 13.00 |
| | <i>0.197</i> | | | | <i>1.713</i> | <i>0.197</i> | <i>0.669</i> | <i>0.276</i> | <i>0.827</i> | <i>0.512</i> |
| # PLIT-050-100-100-47-KP-S3 | 5.00 | 0.51 | 1.22 | M10.0x1.00 (10.0mm) | 47.00 | 5.00 | 17.00 | 7.00 | 21.00 | 13.00 |
| | <i>0.197</i> | | | | <i>1.850</i> | <i>0.197</i> | <i>0.669</i> | <i>0.276</i> | <i>0.827</i> | <i>0.512</i> |
| # PLIT-060-127C-52-KP-S3 | 5.99 | 0.61 | 1.42 | 1/2-13 UNC (12.700mm) | 51.61 | 5.99 | 19.99 | 7.98 | 24.99 | 14.00 |
| | <i>0.236</i> | | | | <i>2.032</i> | <i>0.236</i> | <i>0.787</i> | <i>0.314</i> | <i>0.984</i> | <i>0.551</i> |
| # PLIT-060-120-150-52-KP-S3 | 6.00 | 0.61 | 1.43 | M12.0x1.50 (12.0mm) | 51.70 | 6.00 | 20.00 | 8.00 | 25.00 | 14.00 |
| | <i>0.236</i> | | | | <i>2.035</i> | <i>0.236</i> | <i>0.787</i> | <i>0.315</i> | <i>0.984</i> | <i>0.551</i> |
| # PLIT-060-120-150-56-KP-S3 | 6.00 | 0.61 | 1.43 | M12.0x1.50 (12.0mm) | 56.00 | 6.00 | 20.00 | 8.00 | 25.00 | 14.00 |
| | <i>0.236</i> | | | | <i>2.205</i> | <i>0.236</i> | <i>0.787</i> | <i>0.315</i> | <i>0.984</i> | <i>0.551</i> |

Indicates item not stocked at time of printing - Please enquire for lead time

Page 4 of 5

E&OE Pricing and all details subject to change without notice - Copyright Miniature Bearings Australia Pty Ltd
MBA Size Listings are a guide to sizes only and must not be solely relied on for critical design information.

Plungers - Indexing - Pull Knob - 303 Stainless

| Part Number | Tip Diameter (C) mm | Initial End Force Kg | Final End Force Kg | Thread (B) | Overall Length (A) mm | Tip Length (D) mm | Thread Length (E) mm | Nut Height (F) mm | Knob Diameter (J) mm | Hex Diameter (K) mm |
|-----------------------------|---------------------|----------------------|--------------------|--------------------------|-----------------------|-------------------|----------------------|-------------------|----------------------|---------------------|
| | <i>inches</i> | | | | <i>inches</i> | <i>inches</i> | <i>inches</i> | <i>inches</i> | <i>inches</i> | <i>inches</i> |
| # PLIT-080-158C-68-KP-S3 | 7.98 | 1.53 | 3.57 | 5/8-11 UNC (15.875mm) | 68.00 | 7.98 | 25.98 | 9.98 | 33.00 | 19.00 |
| | <i>0.314</i> | | | | <i>2.677</i> | <i>0.314</i> | <i>1.023</i> | <i>0.393</i> | <i>1.299</i> | <i>0.748</i> |
| # PLIT-080-160-150-68-KP-S3 | 8.00 | 1.53 | 3.57 | M16.0x1.50 (16.0mm) | 68.00 | 8.00 | 26.00 | 10.00 | 33.00 | 19.00 |
| | <i>0.315</i> | | | | <i>2.677</i> | <i>0.315</i> | <i>1.024</i> | <i>0.394</i> | <i>1.299</i> | <i>0.748</i> |
| # PLIT-080-160-150-74-KP-S3 | 8.00 | 1.53 | 3.57 | M16.0x1.50 (16.0mm) | 74.00 | 8.00 | 26.00 | 10.00 | 33.00 | 19.00 |
| | <i>0.315</i> | | | | <i>2.913</i> | <i>0.315</i> | <i>1.024</i> | <i>0.394</i> | <i>1.299</i> | <i>0.748</i> |
| # PLIT-100-191C-74-KP-S3 | 9.98 | 1.53 | 4.08 | 3/4-10 UNC (19.050mm) | 73.99 | 9.98 | 27.99 | 11.99 | 33.00 | 22.00 |
| | <i>0.393</i> | | | | <i>2.913</i> | <i>0.393</i> | <i>1.102</i> | <i>0.472</i> | <i>1.299</i> | <i>0.866</i> |
| # PLIT-100-200-150-74-KP-S3 | 10.00 | 1.53 | 3.47 | M20.0x1.50 (20.0mm) | 74.00 | 10.00 | 28.00 | 12.00 | 33.00 | 22.00 |
| | <i>0.394</i> | | | | <i>2.913</i> | <i>0.394</i> | <i>1.102</i> | <i>0.472</i> | <i>1.299</i> | <i>0.866</i> |
| # PLIT-100-200-150-80-KP-S3 | 10.00 | 1.53 | 3.47 | M20.0x1.50 (20.0mm) | 80.00 | 10.00 | 28.00 | 12.00 | 33.00 | 22.00 |
| | <i>0.394</i> | | | | <i>3.150</i> | <i>0.394</i> | <i>1.102</i> | <i>0.472</i> | <i>1.299</i> | <i>0.866</i> |
| # PLIT-120-200-150-78-KP-S3 | 12.00 | 1.53 | 3.98 | M20.0x1.50 (20.0mm) | 78.00 | 12.00 | 28.00 | 14.00 | 33.00 | 22.00 |
| | <i>0.472</i> | | | | <i>3.071</i> | <i>0.472</i> | <i>1.102</i> | <i>0.551</i> | <i>1.299</i> | <i>0.866</i> |
| # PLIT-160-240-200-96-KP-S3 | 16.00 | 2.04 | 4.69 | M24.0x2.00 (24.0mm) | 96.00 | 16.00 | 32.00 | 18.00 | 40.00 | 27.00 |
| | <i>0.630</i> | | | | <i>3.780</i> | <i>0.630</i> | <i>1.260</i> | <i>0.709</i> | <i>1.575</i> | <i>1.063</i> |

Indicates item not stocked at time of printing - Please enquire for lead time

Page 5 of 5

E&OE Pricing and all details subject to change without notice - Copyright Miniature Bearings Australia Pty Ltd
MBA Size Listings are a guide to sizes only and must not be solely relied on for critical design information.

DISTRIBUTED BY

Distributed By:

