



Plungers - Indexing - Pull Knob - Full 303 Stainless

10/4/2018

Indicates item not stocked at time of printing - Please enquire for lead time

E&OE Pricing and all details subject to change without notice - Copyright Miniature Bearings Australia Pty Ltd

MBA Size Listings are a guide to sizes only and must not be solely relied on for critical design information.

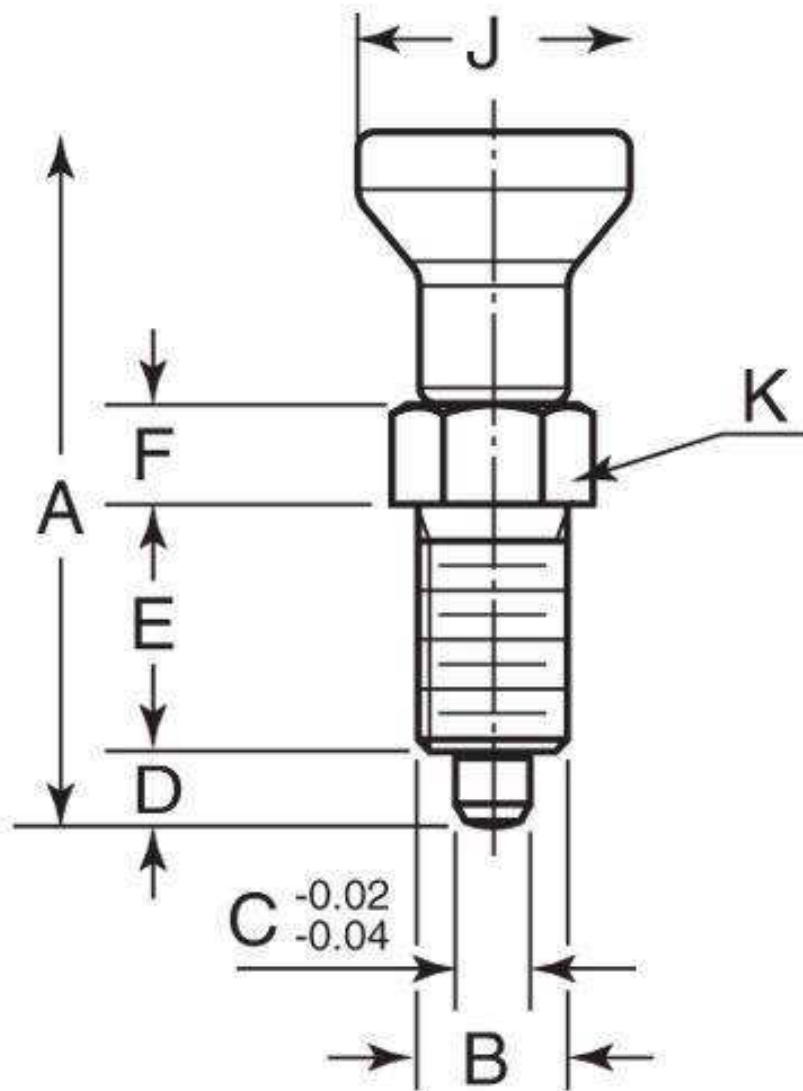
Page 1 of 4

INFORMATION

Indicates item not stocked at time of printing - Please enquire for lead time

E&OE Pricing and all details subject to change without notice - Copyright Miniature Bearings Australia Pty Ltd

MBA Size Listings are a guide to sizes only and must not be solely relied on for critical design information.



Indicates item not stocked at time of printing - Please enquire for lead time

E&OE Pricing and all details subject to change without notice - Copyright Miniature Bearings Australia Pty Ltd
 MBA Size Listings are a guide to sizes only and must not be solely relied on for critical design information.

Plungers - Indexing - Pull Knob - Full 303 Stainless

| Part Number | Tip Diameter (C) mm | Initial End Force Kg | Final End Force Kg | Thread (B) | Overall Length (A) mm | Tip Length (D) mm | Thread Length (E) mm | Hex Height (F) mm | Knob Diameter (J) mm | Hex Diameter (K) mm |
|------------------------------|---------------------|----------------------|--------------------|------------------------|-----------------------|-------------------|----------------------|-------------------|----------------------|---------------------|
| | <i>inches</i> | | | | <i>inches</i> | <i>inches</i> | <i>inches</i> | <i>inches</i> | <i>inches</i> | <i>inches</i> |
| # PLIT-040-080-100-43-KP-S3F | 4.00 | 2.72 | 5.44 | M8.0x1.00 (8.0mm) | 43.00 | 4.00 | 15.00 | 6.00 | 18.00 | 10.00 |
| | <i>0.157</i> | | | | <i>1.693</i> | <i>0.157</i> | <i>0.591</i> | <i>0.236</i> | <i>0.709</i> | <i>0.394</i> |
| # PLIT-050-100-100-50-KP-S3F | 5.00 | 2.27 | 5.44 | M10.0x1.00 (10.0mm) | 50.00 | 5.00 | 17.00 | 7.00 | 21.00 | 13.00 |
| | <i>0.197</i> | | | | <i>1.969</i> | <i>0.197</i> | <i>0.669</i> | <i>0.276</i> | <i>0.827</i> | <i>0.512</i> |
| # PLIT-060-120-150-59-KP-S3F | 6.00 | 2.72 | 6.35 | M12.0x1.50 (12.0mm) | 59.00 | 6.00 | 20.00 | 8.00 | 25.00 | 14.00 |
| | <i>0.236</i> | | | | <i>2.323</i> | <i>0.236</i> | <i>0.787</i> | <i>0.315</i> | <i>0.984</i> | <i>0.551</i> |
| # PLIT-080-160-150-77-KP-S3F | 8.00 | 6.80 | 15.88 | M16.0x1.50 (16.0mm) | 77.00 | 8.00 | 26.00 | 10.00 | 33.00 | 19.00 |
| | <i>0.315</i> | | | | <i>3.031</i> | <i>0.315</i> | <i>1.024</i> | <i>0.394</i> | <i>1.299</i> | <i>0.748</i> |
| # PLIT-100-200-150-83-KP-S3F | 10.00 | 6.80 | 15.42 | M20.0x1.50 (20.0mm) | 83.00 | 10.00 | 28.00 | 12.00 | 33.00 | 22.00 |
| | <i>0.394</i> | | | | <i>3.268</i> | <i>0.394</i> | <i>1.102</i> | <i>0.472</i> | <i>1.299</i> | <i>0.866</i> |

Indicates item not stocked at time of printing - Please enquire for lead time

Page 4 of 4

E&OE Pricing and all details subject to change without notice - Copyright Miniature Bearings Australia Pty Ltd

MBA Size Listings are a guide to sizes only and must not be solely relied on for critical design information.

DISTRIBUTED BY

Distributed By:

