



Plungers - Indexing - Pull Knob - No Collar - Steel - With Nut

10/4/2018

Indicates item not stocked at time of printing - Please enquire for lead time

E&OE Pricing and all details subject to change without notice - Copyright Miniature Bearings Australia Pty Ltd

MBA Size Listings are a guide to sizes only and must not be solely relied on for critical design information.

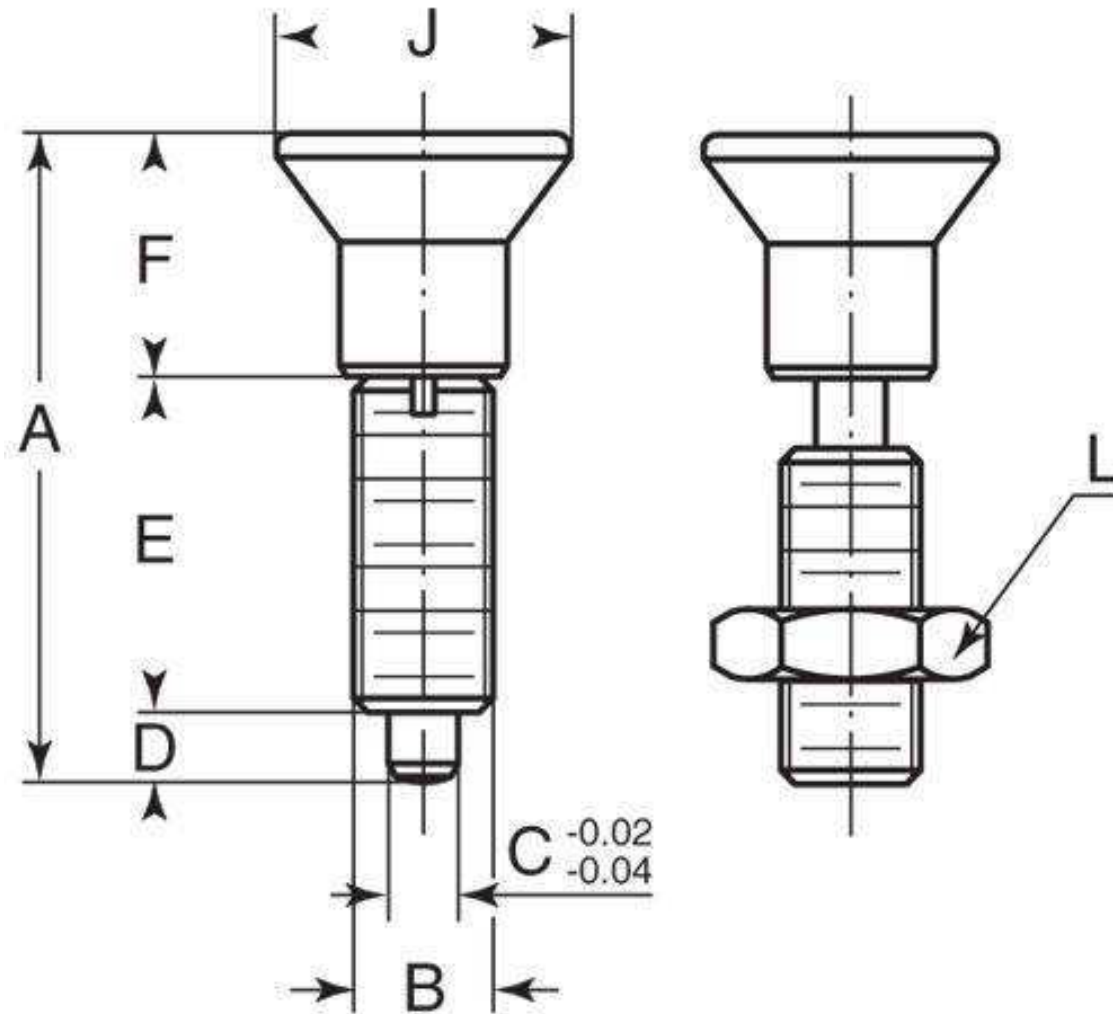
INFORMATION

With thermoplastic knob

Indicates item not stocked at time of printing - Please enquire for lead time

E&OE Pricing and all details subject to change without notice - Copyright Miniature Bearings Australia Pty Ltd

MBA Size Listings are a guide to sizes only and must not be solely relied on for critical design information.



Indicates item not stocked at time of printing - Please enquire for lead time

E&OE Pricing and all details subject to change without notice - Copyright Miniature Bearings Australia Pty Ltd

MBA Size Listings are a guide to sizes only and must not be solely relied on for critical design information.

Plungers - Indexing - Pull Knob - No Collar - Steel - With Nut

Part Number	Tip Diameter (C) mm	Initial End Force Kg	Final End Force Kg	Thread (B)	Overall Length (A) mm	Tip Length (D) mm	Thread Length (E) mm	Hex Height (F) mm	Knob Diameter (J) mm	Hex Diameter (L) mm
	<i>inches</i>				<i>inches</i>	<i>inches</i>	<i>inches</i>	<i>inches</i>	<i>inches</i>	<i>inches</i>
# PLIT-040-080-100-39-KPUN-C	4	2.72	5.44	M8.0x1.00 (8.0mm)	38.50	4.00	21.00	13.50	18.00	13.00
	<i>0.157</i>				<i>1.516</i>	<i>0.157</i>	<i>0.827</i>	<i>0.531</i>	<i>0.709</i>	<i>0.512</i>
# PLIT-050-100-100-44-KPUN-C	5	2.27	5.44	M10.0x1.00 (10.0mm)	43.50	5.00	24.00	14.50	21.00	17.00
	<i>0.197</i>				<i>1.713</i>	<i>0.197</i>	<i>0.945</i>	<i>0.571</i>	<i>0.827</i>	<i>0.669</i>
# PLIT-060-120-150-52-KPUN-C	6	2.72	6.35	M12.0x1.50 (12.0mm)	51.70	6.00	28.00	17.70	25.00	19.00
	<i>0.236</i>				<i>2.035</i>	<i>0.236</i>	<i>1.102</i>	<i>0.697</i>	<i>0.984</i>	<i>0.748</i>
# PLIT-080-160-150-68-KPUN-C	8	6.80	15.88	M16.0x1.50 (16.0mm)	68.00	8.00	36.00	24.00	33.00	24.00
	<i>0.315</i>				<i>2.677</i>	<i>0.315</i>	<i>1.417</i>	<i>0.945</i>	<i>1.299</i>	<i>0.945</i>
# PLI-T-100-200-150-74-KPUN-C	10	6.80	15.42	M20.0x1.50 (20.0mm)	74.00	10.00	40.00	24.00	33.00	30.00
	<i>0.394</i>				<i>2.913</i>	<i>0.394</i>	<i>1.575</i>	<i>0.945</i>	<i>1.299</i>	<i>1.181</i>
# PLIT-120-200-150-78-KPUN-C	12	6.80	17.69	M20.0x1.50 (20.0mm)	78.00	12.00	42.00	24.00	33.00	30.00
	<i>0.472</i>				<i>3.071</i>	<i>0.472</i>	<i>1.654</i>	<i>0.945</i>	<i>1.299</i>	<i>1.181</i>
# PLIT-160-240-200-96-KPUN-C	16	9.07	20.87	M24.0x2.00 (24.0mm)	96.00	16.00	50.00	30.00	40.00	36.00
	<i>0.630</i>				<i>3.780</i>	<i>0.630</i>	<i>1.969</i>	<i>1.181</i>	<i>1.575</i>	<i>1.417</i>

Indicates item not stocked at time of printing - Please enquire for lead time

Page 4 of 4

E&OE Pricing and all details subject to change without notice - Copyright Miniature Bearings Australia Pty Ltd
MBA Size Listings are a guide to sizes only and must not be solely relied on for critical design information.

DISTRIBUTED BY

Distributed By:

