



Plungers - Spring - Pull Ring - Non Locking - Steel/Acetal

10/4/2018

Indicates item not stocked at time of printing - Please enquire for lead time

E&OE Pricing and all details subject to change without notice - Copyright Miniature Bearings Australia Pty Ltd

MBA Size Listings are a guide to sizes only and must not be solely relied on for critical design information.

Page 1 of 4

INFORMATION

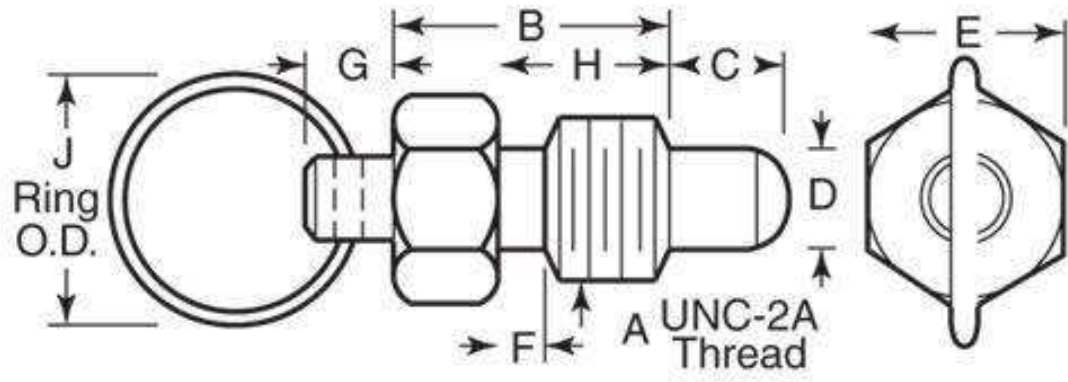
Steel body with acetal nose

Items shown with Long-Lok have a dry threadlocking sealant applied to thread.

Indicates item not stocked at time of printing - Please enquire for lead time

E&OE Pricing and all details subject to change without notice - Copyright Miniature Bearings Australia Pty Ltd

MBA Size Listings are a guide to sizes only and must not be solely relied on for critical design information.



Indicates item not stocked at time of printing - Please enquire for lead time

E&OE Pricing and all details subject to change without notice - Copyright Miniature Bearings Australia Pty Ltd

MBA Size Listings are a guide to sizes only and must not be solely relied on for critical design information.

Plungers - Spring - Pull Ring - Non Locking - Steel/Acetal

Part Number	Thread Size (A)	Initial Pressure (F1) N	Final Pressure (F2) N	Overall Length (B) mm	Pin Length (C) mm	Pin Diameter (D) mm	Across Flats (E) mm	F mm	G mm	Thread Length (H) mm
# PLST-064C-111-RAC-009	1/4-20 UNC (6.35mm)	2.22	8.90	11.10	4.75	3.96	6.35	0.79	3.96	7.14
				<i>0.437</i>	<i>0.187</i>	<i>0.156</i>	<i>0.250</i>	<i>0.031</i>	<i>0.156</i>	<i>0.281</i>
# PLST-095C-159-RAC-013	3/8-16 UNC (9.525mm)	3.34	13.35	15.88	7.14	6.35	9.53	3.18	4.75	11.10
				<i>0.625</i>	<i>0.281</i>	<i>0.250</i>	<i>0.375</i>	<i>0.125</i>	<i>0.187</i>	<i>0.437</i>
# PLST-127C-206-RAC-018	1/2-13 UNC (12.7mm)	4.45	17.79	20.64	9.53	7.93	12.70	3.96	6.35	14.28
				<i>0.813</i>	<i>0.375</i>	<i>0.312</i>	<i>0.500</i>	<i>0.156</i>	<i>0.250</i>	<i>0.562</i>
# PLST-159C-254-RAC-022	5/8-11 UNC (15.875mm)	5.56	22.24	25.40	11.10	9.53	15.88	3.96	7.93	26.98
				<i>1.000</i>	<i>0.437</i>	<i>0.375</i>	<i>0.625</i>	<i>0.156</i>	<i>0.312</i>	<i>1.062</i>

Indicates item not stocked at time of printing - Please enquire for lead time

Page 4 of 4

E&OE Pricing and all details subject to change without notice - Copyright Miniature Bearings Australia Pty Ltd
MBA Size Listings are a guide to sizes only and must not be solely relied on for critical design information.

DISTRIBUTED BY

Distributed By:

